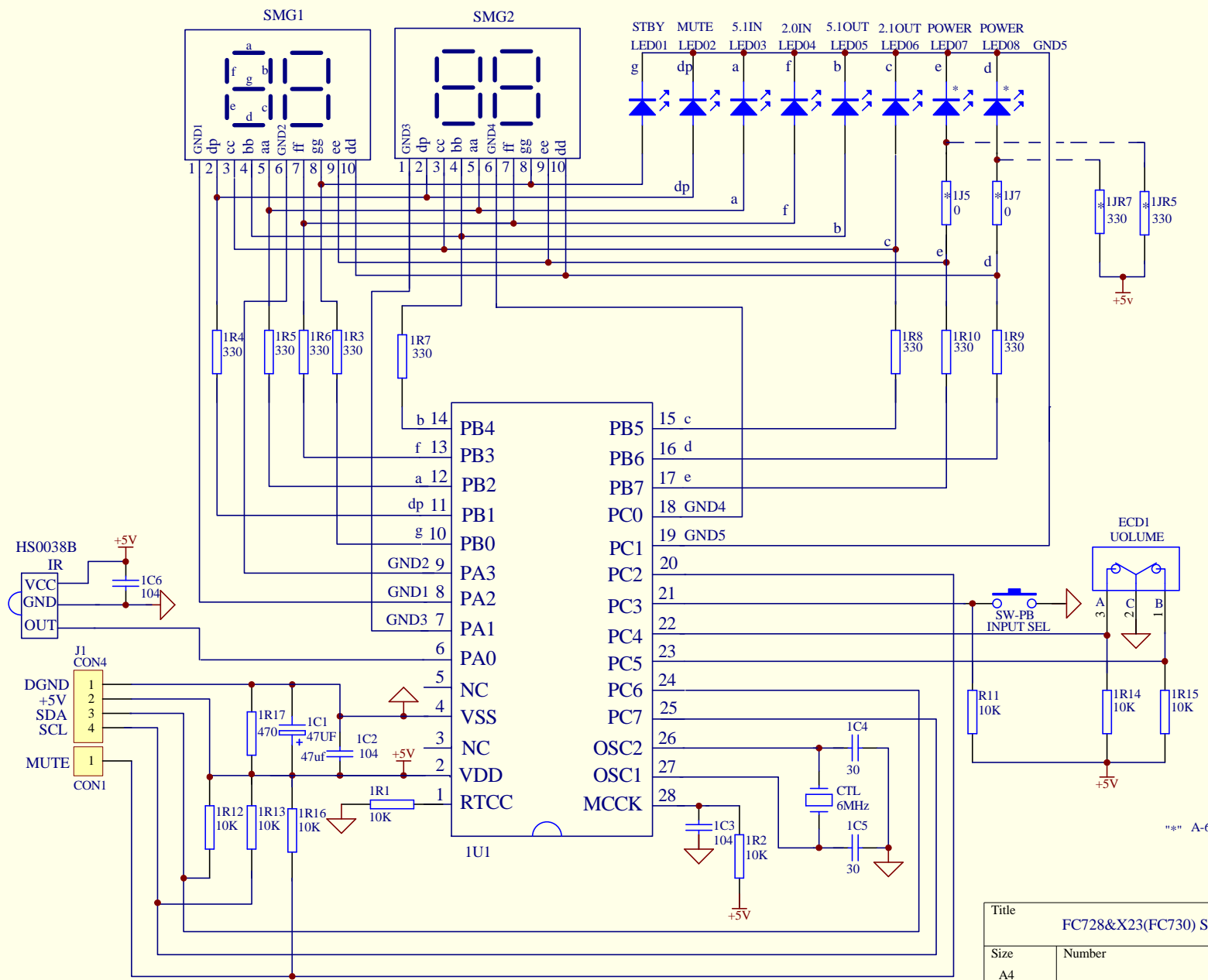


Title A6660(FC730)		
Size A3	Number	Revision
Date: 28-Mar-2008	Sheet of 3	
File: E:\OK PCB SCH\PURE100A.DDB	Drawn By: L.M. An	



*** A-6660 NO USED

Title		
FC728&X23(FC730) SCH		
Size	Number	Revision
A4		
Date:	28-Mar-2008	Sheet of 1
File:	E:\OK PCB SCH\PURE100A.DDB	Drawn By: L.M.An