



Tone Control Subwoofer Low Pass Filter IC

PT2350

DESCRIPTION

PT2350 is a tone control subwoofer cross-over low pass filter chip utilizing CMOS Technology. It features a tone control range of + 10dB (50Hz, 4 KHz) and subwoofer low pass filter of the second order Sallen Key Design. The roll-off point can be adjusted by changing the value of the external capacitor. Pin assignments and application circuits are optimized for easy PCB Layout and cost saving advantages.

FEATURES

- CMOS Technology
- 2 - Channel Input
- 3 - Channel Output (Including 1 stereo Output and Subwoofer Output)
- Low Total Harmonic Distortion (THD<0.01%, Subwoofer THD<0.2%)
- High S/N Ratio (S/N Ratio <-87dB, A-weighting)
- Least External Components
- Adjustment of Frequency response by changing the value of the external component
- Single Power Supply: 3 to 8.5 Volts
- Available in 20 pins, DIP or SO Package

APPLICATIONS

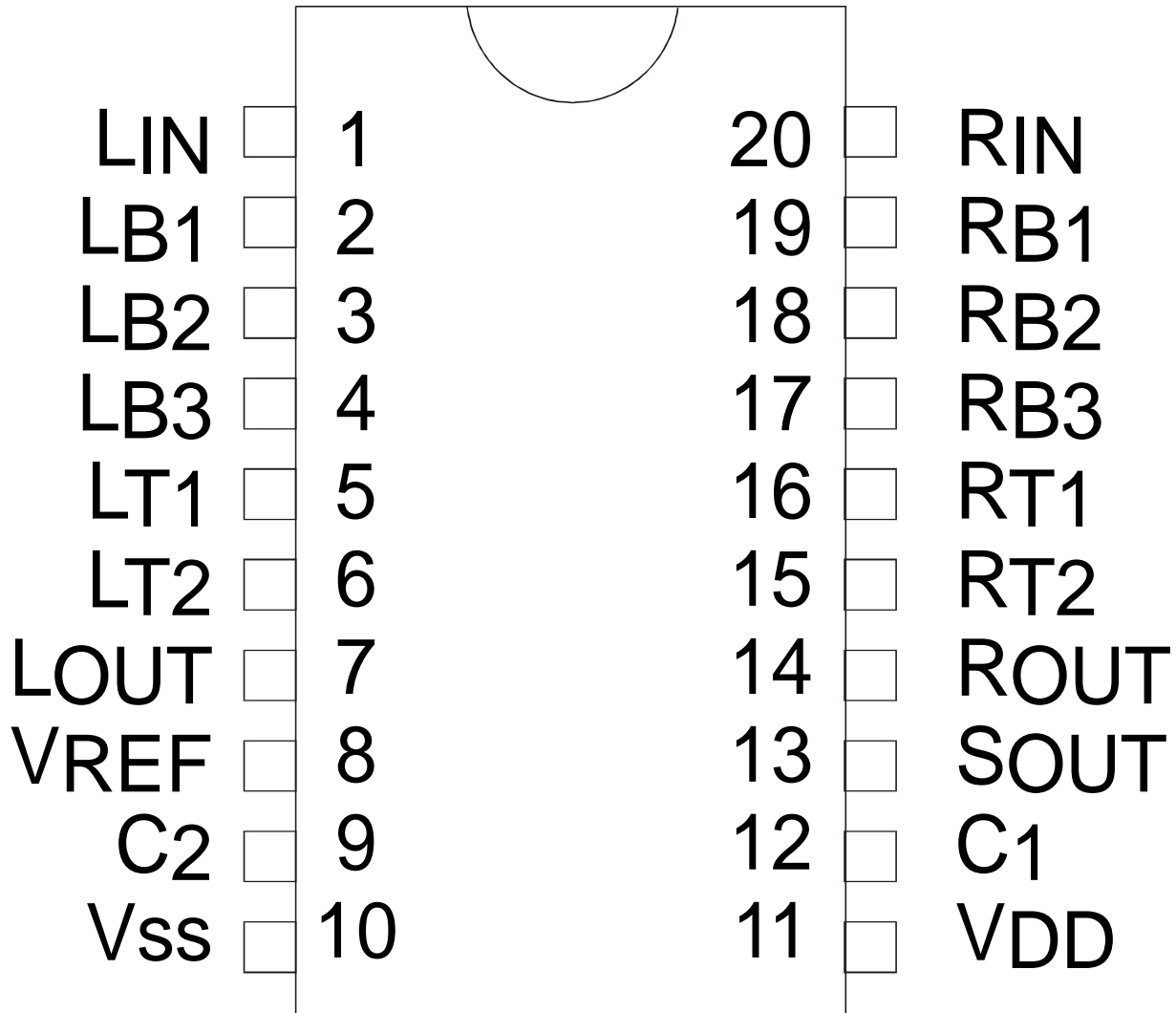
- Multi-Media 3D Satellite Speaker and Subwoofer System
- Car Audio
- Audio Equipment
- Sound Card
- Other Electrical Audio Equipment



Tone Control Subwoofer Cross-Over Low Pass Filter IC

PT2350

PIN CONFIGURATION



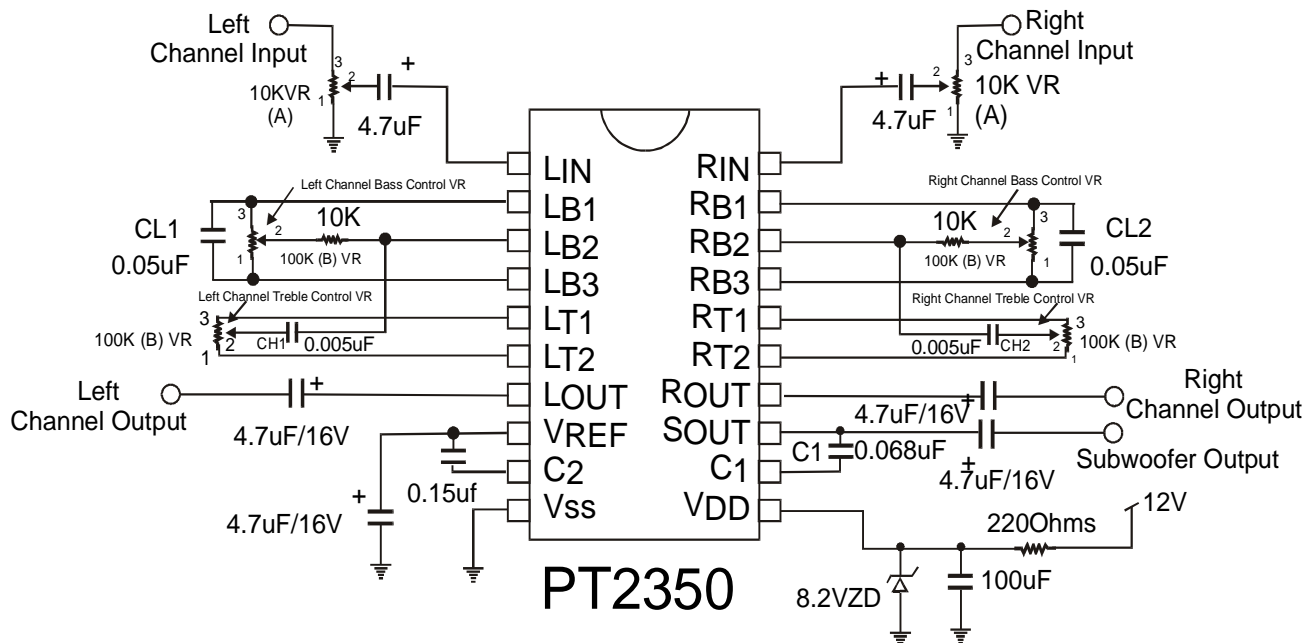
PT2350



Tone Control Subwoofer Cross-Over Low Pass Filter IC

PT2350

APPLICATION CIRCUIT



- Notes:
- If you use the above values: Treble Control Range = 4KHz + 10 dB
 Bass Control Range = 50 Hz + 10 dB
 Subwoofer Output Roll-Off Point is at -3dB at 130Hz
 Slope Rate = -12dB/oct
 - It is recommended that you use Mylar or Metal Capacitors for better audio quality.
 - Please do not connect 0.1uF or any by-pass capacitor between the GND and VDD.



Tone Control Subwoofer Low Pass Filter IC

PT2350

ORDER INFORMATION

Valid Part Number	Package Type
PT2350	20 pins, DIP (300 mil)
PT2350-S	20 pins, SO (300 mil)