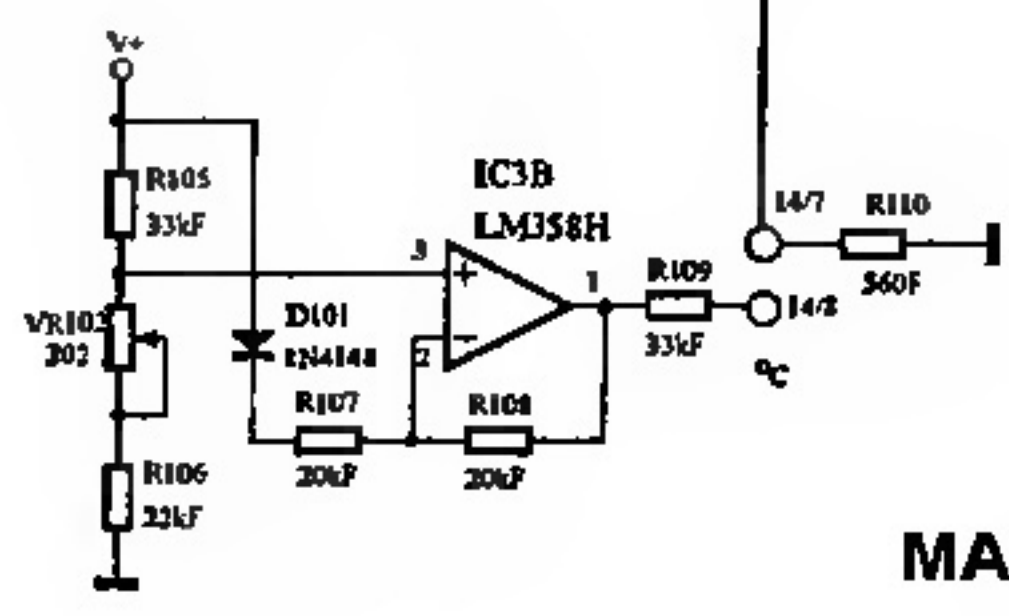
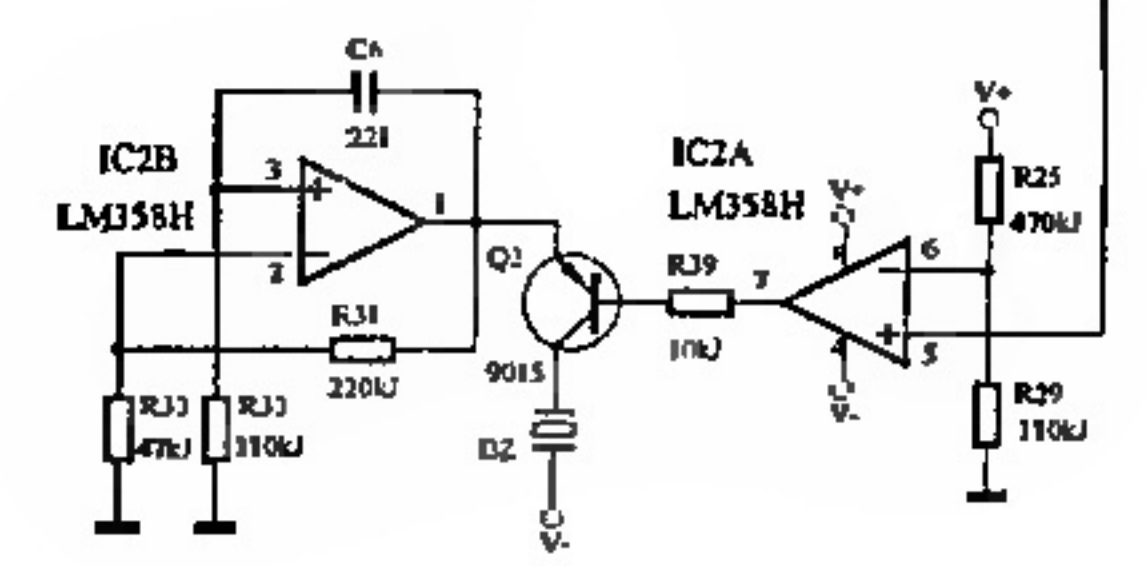


POSITION	FUNCTION
1-5	DCV 200mV-600V
7-8	ACV 600V, 200V
9-11	DCA 2mA-200mA
12	DCA 10A
13	HFE
14	°C
15	Ω
16-20	200R-2MR



MAS838