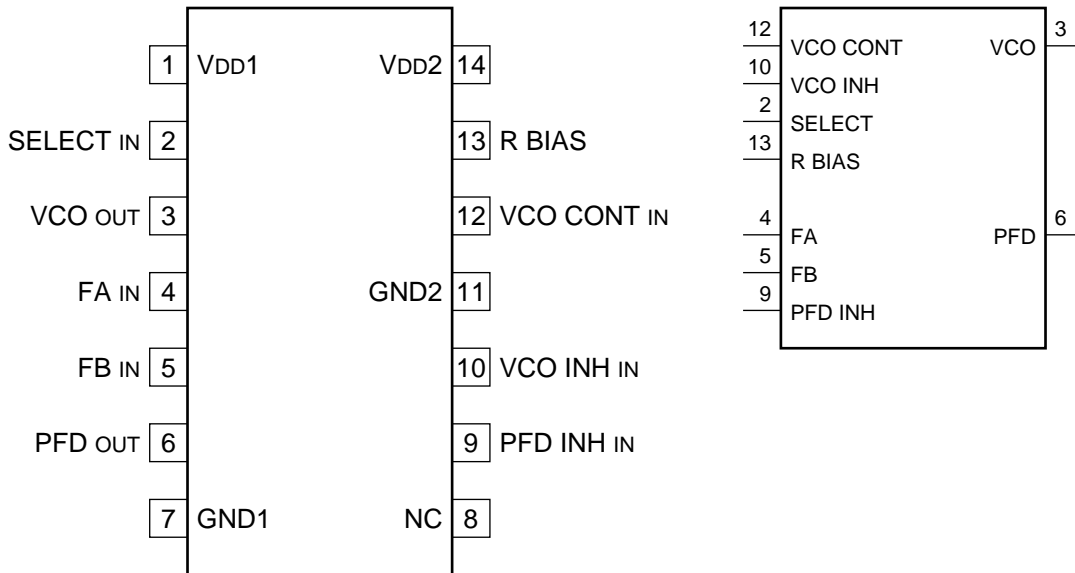


C-MOS VCO AND PHASE FREQUENCY DETECTOR

—TOP VIEW—

**INPUT**

FA : REFERENCE FREQUENCY
 FB : INPUT FREQUENCY FROM OUTSIDE COUNTER
 PFD INH : PFD INHIBIT
 SELECT : VCO OUTPUT FREQUENCY SELECT
 VCO CONT : VCO CONTROL VOLTAGE
 VCO INH : VCO INHIBIT

OUTPUT

PFD : PHASE FREQUENCY DETECTOR
 VCO : VOLTAGE CONTROLLED OSCILLATOR

OTHER

R BIAS : BIAS RESISTOR FOR VCO OSCILLATION FREQUENCY SETTING

