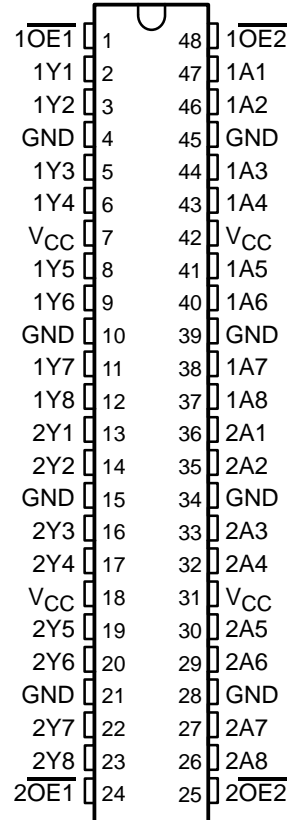


SN54AHC16541, SN74AHC16541 16-BIT BUFFERS/DRIVERS WITH 3-STATE OUTPUTS

SCLS332B – MARCH 1996 – REVISED JUNE 1997

- Members of the Texas Instruments *Widebus*™ Family
- Operating Range 2-V to 5.5-V V_{CC}
- *EPIC*™ (Enhanced-Performance Implanted CMOS) Process
- Distributed V_{CC} and GND Pin Configuration Minimizes High-Speed Switching Noise
- Flow-Through Architecture Optimizes PCB Layout
- Package Options Include Plastic 300-mil Shrink Small-Outline (DL) and Thin Shrink Small-Outline (DGG) Packages and 380-mil Fine-Pitch Ceramic Flat (WD) Package Using 25-mil Center-to-Center Spacings

SN54AHC16541 . . . WD PACKAGE
SN74AHC16541 . . . DGG OR DL PACKAGE
(TOP VIEW)



description

The 'AHC16541 are noninverting 16-bit buffers composed of two 8-bit sections with separate output-enable signals. For either 8-bit buffer section, the two output-enable ($1\overline{OE}1$ and $1\overline{OE}2$ or $2\overline{OE}1$ and $2\overline{OE}2$) inputs must be low for the corresponding Y outputs to be active. If either output-enable input is high, the outputs of that 8-bit buffer section are in the high-impedance state.

The SN54AHC16541 is characterized for operation over the full military temperature range of -55°C to 125°C . The SN74AHC16541 is characterized for operation from -40°C to 85°C .

FUNCTION TABLE
(each 8-bit section)

INPUTS			OUTPUT
$\overline{OE}1$	$\overline{OE}2$	A	Y
L	L	L	L
L	L	H	H
H	X	X	Z
X	H	X	Z



Please be aware that an important notice concerning availability, standard warranty, and use in critical applications of Texas Instruments semiconductor products and disclaimers thereto appears at the end of this data sheet.

EPIC and Widebus are trademarks of Texas Instruments Incorporated.

PRODUCT PREVIEW information concerns products in the formative or design phase of development. Characteristic data and other specifications are design goals. Texas Instruments reserves the right to change or discontinue these products without notice.



POST OFFICE BOX 655303 • DALLAS, TEXAS 75265

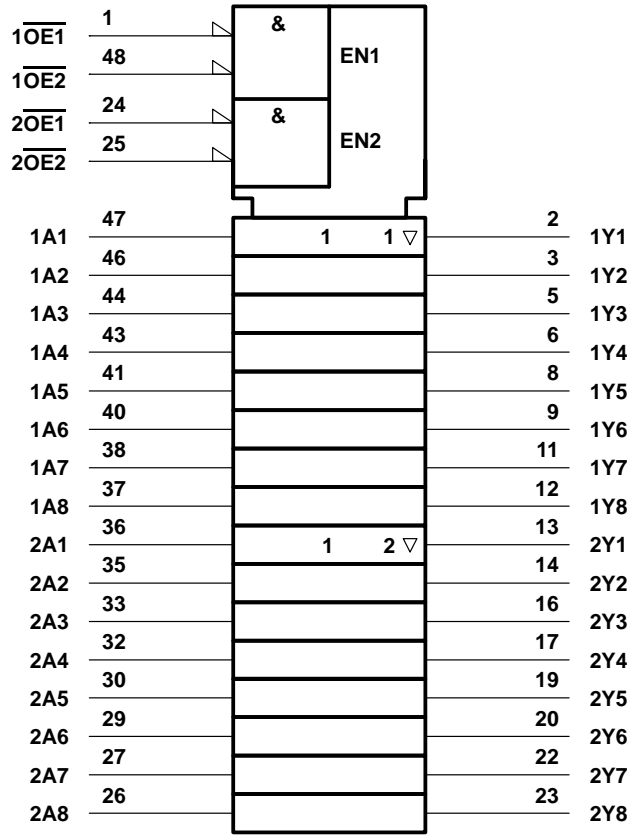
Copyright © 1997, Texas Instruments Incorporated

PRODUCT PREVIEW

SN54AHC16541, SN74AHC16541
16-BIT BUFFERS/DRIVERS
WITH 3-STATE OUTPUTS

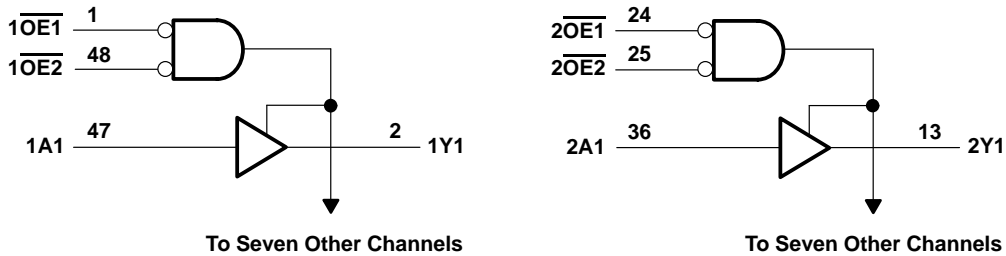
SCLS332B – MARCH 1996 – REVISED JUNE 1997

logic symbol†



† This symbol is in accordance with ANSI/IEEE Std 91-1984 and IEC Publication 617-12.

logic diagram (positive logic)



PRODUCT PREVIEW



POST OFFICE BOX 655303 • DALLAS, TEXAS 75265

SN54AHC16541, SN74AHC16541 16-BIT BUFFERS/DRIVERS WITH 3-STATE OUTPUTS

SCLS332B – MARCH 1996 – REVISED JUNE 1997

absolute maximum ratings over operating free-air temperature range (unless otherwise noted)†

Supply voltage range, V_{CC}	–0.5 V to 7 V
Input voltage range, V_I (see Note 1)	–0.5 V to 7 V
Output voltage range, V_O (see Note 1)	–0.5 V to $V_{CC} + 0.5$ V
Input clamp current, I_{IK} ($V_I < 0$)	–20 mA
Output clamp current, I_{OK} ($V_O < 0$ or $V_O > V_{CC}$)	±20 mA
Continuous output current, I_O ($V_O = 0$ to V_{CC})	±25 mA
Continuous current through each V_{CC} or GND	±75 mA
Package thermal impedance, θ_{JA} (see Note 2): DGG package	89°C/W
DL package	94°C/W
Storage temperature range, T_{stg}	–65°C to 150°C

† Stresses beyond those listed under “absolute maximum ratings” may cause permanent damage to the device. These are stress ratings only, and functional operation of the device at these or any other conditions beyond those indicated under “recommended operating conditions” is not implied. Exposure to absolute-maximum-rated conditions for extended periods may affect device reliability.

- NOTES: 1. The input and output voltage ratings may be exceeded if the input and output current ratings are observed.
2. The package thermal impedance is calculated in accordance with JESD 51.

recommended operating conditions (see Note 3)

		SN54AHC16541		SN74AHC16541		UNIT
		MIN	MAX	MIN	MAX	
V_{CC}	Supply voltage	2	5.5	2	5.5	V
V_{IH}	High-level input voltage	$V_{CC} = 2$ V		1.5		V
		$V_{CC} = 3$ V		2.1		
		$V_{CC} = 5.5$ V		3.85		
V_{IL}	Low-level input voltage	$V_{CC} = 2$ V		0.5		V
		$V_{CC} = 3$ V		0.9		
		$V_{CC} = 5.5$ V		1.65		
V_I	Input voltage	0	5.5	0	5.5	V
V_O	Output voltage	0	V_{CC}	0	V_{CC}	V
I_{OH}	High-level output current	$V_{CC} = 2$ V		–50		μ A
		$V_{CC} = 3.3$ V ± 0.3 V		–4		mA
		$V_{CC} = 5$ V ± 0.5 V		–8		mA
I_{OL}	Low-level output current	$V_{CC} = 2$ V		50		μ A
		$V_{CC} = 3.3$ V ± 0.3 V		4		mA
		$V_{CC} = 5$ V ± 0.5 V		8		mA
$\Delta t/\Delta v$	Input transition rise or fall rate	$V_{CC} = 3.3$ V ± 0.3 V		100		ns/V
		$V_{CC} = 5$ V ± 0.5 V		20		
T_A	Operating free-air temperature	–55	125	–40	85	°C

NOTE 3: Unused inputs must be held high or low to prevent them from floating.

PRODUCT PREVIEW



SN54AHC16541, SN74AHC16541

16-BIT BUFFERS/DRIVERS

WITH 3-STATE OUTPUTS

SCLS332B – MARCH 1996 – REVISED JUNE 1997

electrical characteristics over recommended operating free-air temperature range (unless otherwise noted)

PARAMETER	TEST CONDITIONS	V _{CC}	T _A = 25°C			SN54AHC16541		SN74AHC16541		UNIT
			MIN	TYP	MAX	MIN	MAX	MIN	MAX	
V _{OH}	I _{OH} = -50 μA	2 V	1.9	2		1.9		1.9	V	
		3 V	2.9	3		2.9		2.9		
		4.5 V	4.4	4.5		4.4		4.4		
	I _{OH} = -4 mA	3 V	2.58		2.48		2.48			
	I _{OH} = -8 mA	4.5 V	3.94		3.8		3.8			
V _{OL}	I _{OL} = 50 μA	2 V			0.1		0.1	0.1	V	
		3 V			0.1		0.1	0.1		
		4.5 V			0.1		0.1	0.1		
	I _{OL} = 4 mA	3 V			0.36		0.5	0.44		
	I _{OL} = 8 mA	4.5 V			0.36		0.5	0.44		
I _I	Data inputs	V _I = V _{CC} or GND	5.5 V				±0.1	±1	±1	μA
	Control inputs						±0.1	±1	±1	
I _{OZ}	V _O = V _{CC} or GND, V _I (\overline{OE}) = V _{IL} or V _{IH}		5.5 V				±0.25	±2.5	±2.5	μA
I _{CC}	V _I = V _{CC} or GND, I _O = 0		5.5 V				4	40	40	μA
C _i	V _I = V _{CC} or GND		5 V				2	10	10	pF
C _o	V _O = V _{CC} or GND		5 V				4			pF

switching characteristics over recommended operating free-air temperature range, V_{CC} = 3.3 V ± 0.3 V (unless otherwise noted) (see Figure 1)

PARAMETER	FROM (INPUT)	TO (OUTPUT)	LOAD CAPACITANCE	T _A = 25°C			SN54AHC16541		SN74AHC16541		UNIT		
				MIN	TYP	MAX	MIN	MAX	MIN	MAX			
t _{PLH} *	A	Y	C _L = 15 pF				5	7	1	8.5	1	8.5	ns
t _{PHL} *							5	7	1	8.5	1	8.5	
t _{PZH} *	\overline{OE}	Y	C _L = 15 pF				6	10.5	1	11	1	11	ns
t _{PZL} *							6	10.5	1	11	1	11	
t _{PHZ} *	\overline{OE}	Y	C _L = 15 pF				7	11	1	12	1	12	ns
t _{PLZ} *							7	11	1	12	1	12	
t _{PLH}	A	Y	C _L = 50 pF				7.5	10.5	1	12	1	12	ns
t _{PHL}							7.5	10.5	1	12	1	12	
t _{PZH}	\overline{OE}	Y	C _L = 50 pF				8	14	1	16	1	16	ns
t _{PZL}							8	14	1	16	1	16	
t _{PHZ}	\overline{OE}	Y	C _L = 50 pF				9	15.4	1	17.5	1	17.5	ns
t _{PLZ}							9	15.4	1	17.5	1	17.5	

* On products compliant to MIL-PRF-38535, this parameter is ensured but not production tested.

PRODUCT PREVIEW



SN54AHC16541, SN74AHC16541
16-BIT BUFFERS/DRIVERS
WITH 3-STATE OUTPUTS

SCLS332B – MARCH 1996 – REVISED JUNE 1997

switching characteristics over recommended operating free-air temperature range,
 $V_{CC} = 5 V \pm 0.5 V$ (unless otherwise noted) (see Figure 1)

PARAMETER	FROM (INPUT)	TO (OUTPUT)	LOAD CAPACITANCE	$T_A = 25^\circ C$			SN54AHC16541		SN74AHC16541		UNIT
				MIN	TYP	MAX	MIN	MAX	MIN	MAX	
t_{PLH}^*	A	Y	$C_L = 15 pF$	3.5	5		1	6	1	6	ns
t_{PHL}^*				3.5	5		1	6	1	6	
t_{PZH}^*	\overline{OE}	Y	$C_L = 15 pF$	4.7	7.2		1	8.5	1	8.5	ns
t_{PZL}^*				4.7	7.2		1	8.5	1	8.5	
t_{PHZ}^*	\overline{OE}	Y	$C_L = 15 pF$	5	7.5		1	8	1	8	ns
t_{PLZ}^*				5	7.5		1	8	1	8	
t_{PLH}	A	Y	$C_L = 50 pF$	5	7		1	8	1	8	ns
t_{PHL}				5	7		1	8	1	8	
t_{PZH}	\overline{OE}	Y	$C_L = 50 pF$	6.2	9.2		1	10.5	1	10.5	ns
t_{PZL}				6.2	9.2		1	10.5	1	10.5	
t_{PHZ}	\overline{OE}	Y	$C_L = 50 pF$	6	8.8		1	10	1	10	ns
t_{PLZ}				6	8.8		1	10	1	10	

* On products compliant to MIL-PRF-38535, this parameter is ensured but not production tested.

output-skew characteristics, $C_L = 50 pF$ (see Note 4)

PARAMETER	FROM (INPUT)	TO (OUTPUT)	V_{CC}	SN74AHC16541				UNIT
				$T_A = 25^\circ C$		MIN	MAX	
				MIN	MAX			
$t_{sk(o)}$	A	Y	$3.3 V \pm 0.3 V$	1.5		1.5		ns
			$5 V \pm 0.5 V$	1		1		

NOTE 4: Characteristics are determined during product characterization and ensured by design.

noise characteristics, $V_{CC} = 5 V$, $C_L = 50 pF$, $T_A = 25^\circ C$ (see Note 5)

PARAMETER		SN74AHC16541		UNIT
		MIN	MAX	
$V_{OL(P)}$	Quiet output, maximum dynamic V_{OL}	0.8		V
$V_{OL(V)}$	Quiet output, minimum dynamic V_{OL}	-0.8		V
$V_{OH(V)}$	Quiet output, minimum dynamic V_{OH}	4.7		V
$V_{IH(D)}$	High-level dynamic input voltage	3.5		V
$V_{IL(D)}$	Low-level dynamic input voltage	1.5		V

NOTE 5: Characteristics are determined during product characterization and ensured by design for surface-mount packages only.

operating characteristics, $V_{CC} = 5 V$, $T_A = 25^\circ C$

PARAMETER		TEST CONDITIONS	TYP	UNIT
C_{pd}	Power dissipation capacitance	No load, $f = 1 MHz$	12	pF

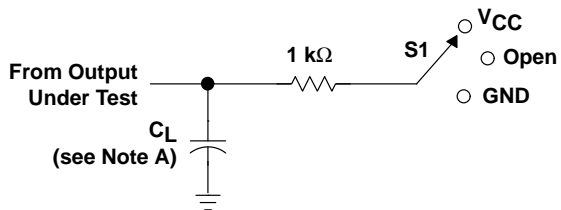
PRODUCT PREVIEW



SN54AHC16541, SN74AHC16541
16-BIT BUFFERS/DRIVERS
WITH 3-STATE OUTPUTS

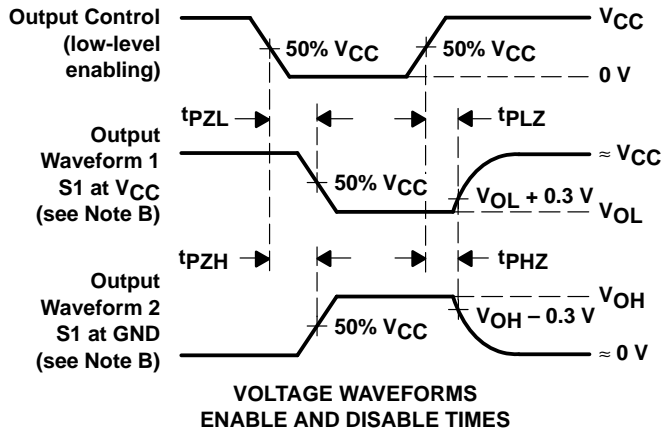
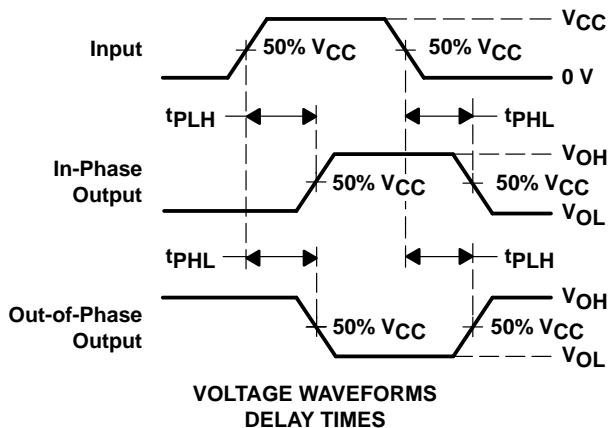
SCLS332B – MARCH 1996 – REVISED JUNE 1997

PARAMETER MEASUREMENT INFORMATION



LOAD CIRCUIT

TEST	S1
t _{PLH} /t _{PHL}	Open
t _{PLZ} /t _{PZL}	V _{CC}
t _{PHZ} /t _{PZH}	GND



- NOTES: A. C_L includes probe and jig capacitance.
 B. Waveform 1 is for an output with internal conditions such that the output is low except when disabled by the output control.
 Waveform 2 is for an output with internal conditions such that the output is high except when disabled by the output control.
 C. All input pulses are supplied by generators having the following characteristics: PRR ≤ 1 MHz, Z_O = 50 Ω , t_r = 3 ns, t_f = 3 ns.
 D. The outputs are measured one at a time with one input transition per measurement.

Figure 1. Load Circuit and Voltage Waveforms

PRODUCT PREVIEW



IMPORTANT NOTICE

Texas Instruments (TI) reserves the right to make changes to its products or to discontinue any semiconductor product or service without notice, and advises its customers to obtain the latest version of relevant information to verify, before placing orders, that the information being relied on is current.

TI warrants performance of its semiconductor products and related software to the specifications applicable at the time of sale in accordance with TI's standard warranty. Testing and other quality control techniques are utilized to the extent TI deems necessary to support this warranty. Specific testing of all parameters of each device is not necessarily performed, except those mandated by government requirements.

Certain applications using semiconductor products may involve potential risks of death, personal injury, or severe property or environmental damage ("Critical Applications").

TI SEMICONDUCTOR PRODUCTS ARE NOT DESIGNED, INTENDED, AUTHORIZED, OR WARRANTED TO BE SUITABLE FOR USE IN LIFE-SUPPORT APPLICATIONS, DEVICES OR SYSTEMS OR OTHER CRITICAL APPLICATIONS.

Inclusion of TI products in such applications is understood to be fully at the risk of the customer. Use of TI products in such applications requires the written approval of an appropriate TI officer. Questions concerning potential risk applications should be directed to TI through a local SC sales office.

In order to minimize risks associated with the customer's applications, adequate design and operating safeguards should be provided by the customer to minimize inherent or procedural hazards.

TI assumes no liability for applications assistance, customer product design, software performance, or infringement of patents or services described herein. Nor does TI warrant or represent that any license, either express or implied, is granted under any patent right, copyright, mask work right, or other intellectual property right of TI covering or relating to any combination, machine, or process in which such semiconductor products or services might be or are used.