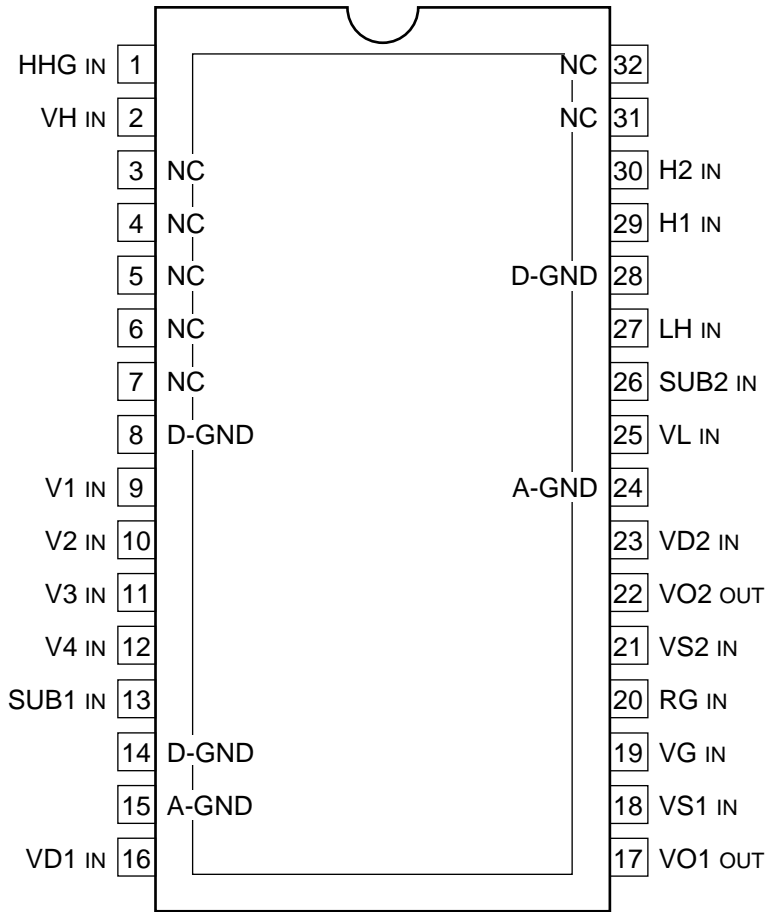


CCD IMAGE SENSOR (1940 H × 1040 V PICTURE ELEMENTS)

—TOP VIEW—



INPUT

- H1, H2 : HORIZONTAL REGISTER TRANSFER CLOCK
- HHG : 1ST AND 2ND HORIZONTAL REGISTERS TRANSFER CLOCK
- LH : FINAL HORIZONTAL REGISTER TRANSFER CLOCK
- RG : RESET GATE CLOCK
- SUB1, SUB2 : SUBSLATE BIAS VOLTAGE
- V1 - V4 : VERTICAL REGISTER TRANSFER CLOCK
- VD1, VD2 : POWER INPUT OF OUTPUT AMPLIFIER
- VG : GATE OF OUTPUT AMPLIFIER
- VH : VERTICAL/HORIZONTAL REGISTERS TRANSFER CLOCK
- VL : TRANSISTOR PROTECTION BIAS VOLTAGE
- VS1, VS2 : SOURCE OF OUTPUT AMPLIFIER

OUTPUT

- VO1, VO2 : SIGNAL

