

DATA SHEET

74ALS573B/74ALS574A Latch flip-flop

Product specification
IC05 Data Handbook

1991 Feb 08

Latch/flip-flop

74ALS573B/74ALS574A

74ALS573B Octal transparent latch (3-State)
74ALS574A Octal D flip-flop (3-State)

FEATURES

- 74ALS573B is broadside pinout version of 74ALS373
- 74ALS574A is broadside pinout version of 74ALS374
- Inputs and outputs on opposite side of package allow easy interface to microprocessors
- Useful as an input or output port for microprocessors
- 3-State outputs for bus interfacing
- Common output enable
- 74ALS563A and 74ALS564A are inverting version of 74ALS573B and 74ALS574A respectively

DESCRIPTION

The 74ALS573B is an octal transparent latch coupled to eight 3-State output devices. The two sections of the device are controlled independently by enable (E) and output enable (\overline{OE}) control gates.

The 74ALS573B is functionally identical to the 74ALS373 but has a broadside pinout configuration to facilitate PC board layout and allow easy interface with microprocessors.

The data on the D inputs is transferred to the latch outputs when the enable (E) input is High. The latch remains transparent to the data input while E is High, and stores the data that is present one setup time before the High-to-Low enable transition.

The 74ALS574A is functionally identical to the 74ALS374 but has a broadside pinout configuration to facilitate PC board layout and allow easy interface with microprocessors.

It is an 8-bit edge triggered register coupled to eight 3-State output buffers. The two sections of the device are controlled independently by clock (CP) and output enable (\overline{OE}) control gates.

The register is fully edge triggered. The state of the D input, one setup time before the Low-to-High clock transition is transferred to the corresponding flip-flop's Q output.

The active-Low output enable (\overline{OE}) controls all eight 3-State buffers independent of the latch operation. When \overline{OE} is Low, latched or transparent data appears at the output.

When \overline{OE} is High, the outputs are in high impedance "off" state, which means they will neither drive nor load the bus.

| TYPE | TYPICAL PROPAGATION DELAY | TYPICAL SUPPLY CURRENT (TOTAL) |
|-----------|---------------------------|--------------------------------|
| 74ALS573B | 5.0ns | 12mA |
| 74ALS574A | 6.0ns | 15mA |

ORDERING INFORMATION

| DESCRIPTION | ORDER CODE | DRAWING NUMBER |
|--------------------------------|---|----------------|
| | COMMERCIAL RANGE $V_{CC} = 5V \pm 10\%$, $T_{amb} = 0^{\circ}C \text{ to } +70^{\circ}C$ | |
| 20-pin plastic DIP | 74ALS573BN, 74ALS574AN | SOT146-1 |
| 20-pin plastic SOL | 74ALS573BD, 74ALS574AD | SOT163-1 |
| 20-pin plastic SSOP Type II | 74ALS573BDB, 74ALS574ADB | SOT339-1 |

INPUT AND OUTPUT LOADING AND FAN-OUT TABLE

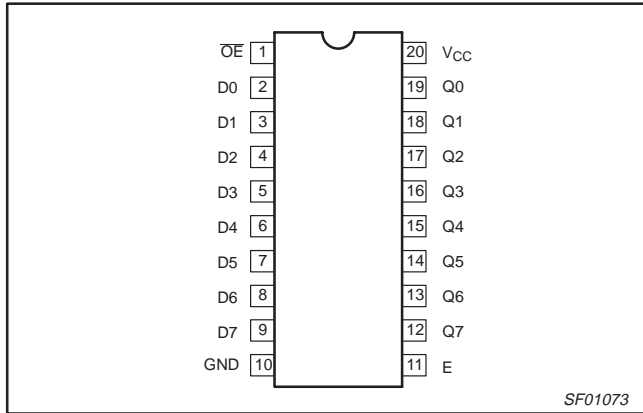
| PINS | DESCRIPTION | 74ALS (U.L.) HIGH/LOW | LOAD VALUE HIGH/LOW |
|-----------------|--|-----------------------|---------------------|
| D0 – D7 | Data inputs | 1.0/1.0 | 20 μ A/0.2mA |
| E (74ALS573B) | Latch enable input | 1.0/1.0 | 20 μ A/0.1mA |
| \overline{OE} | Output Enable input (active-Low) | 1.0/1.0 | 20 μ A/0.1mA |
| CP (74ALS574A) | Clock pulse input (active rising edge) | 1.0/2.0 | 20 μ A/0.2mA |
| Q0 – Q7 | Data outputs | 130/240 | 2.6mA/24mA |

NOTE: One (1.0) ALS unit load is defined as: 20 μ A in the High state and 0.1mA in the Low state.

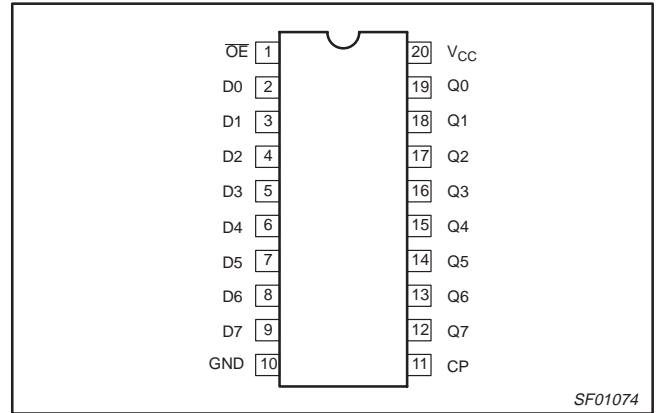
Latch/flip-flop

74ALS573B/74ALS574A

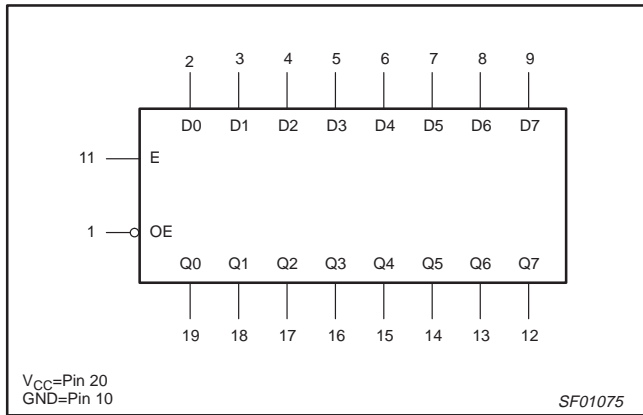
PIN CONFIGURATION – 74ALS573B



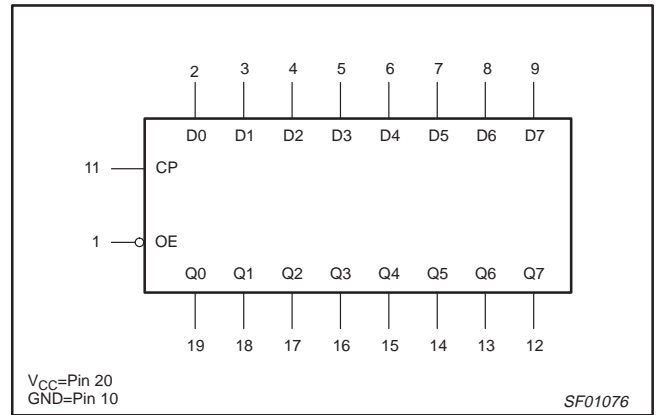
PIN CONFIGURATION – 74ALS574A



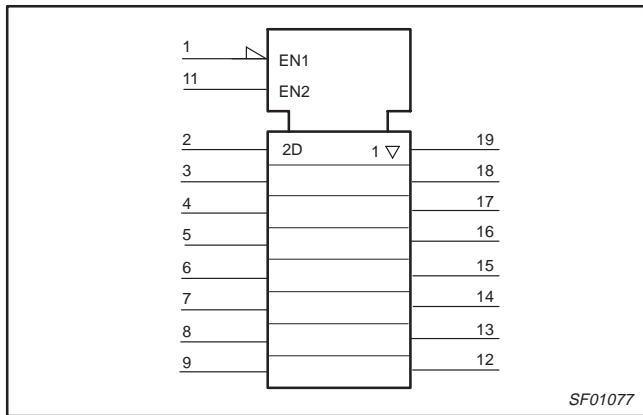
LOGIC SYMBOL – 74ALS573B



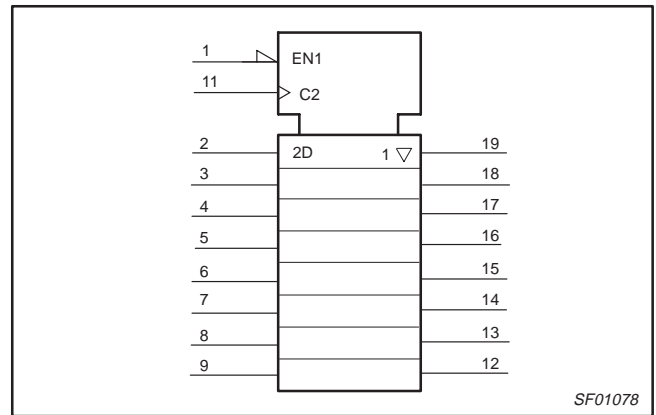
LOGIC SYMBOL – 74ALS574A



IEC/IEEE SYMBOL – 74ALS573B



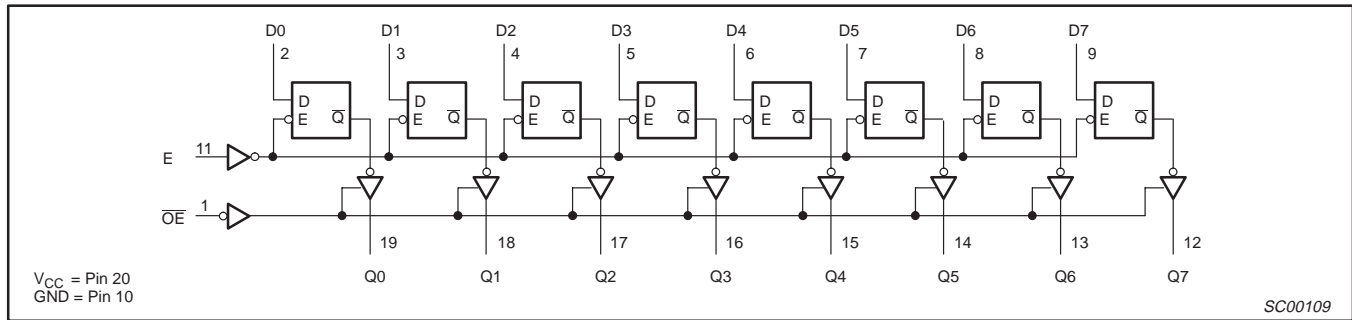
IEC/IEEE SYMBOL – 74ALS574A



Latch/flip-flop

74ALS573B/74ALS574A

LOGIC DIAGRAM – 74ALS573B

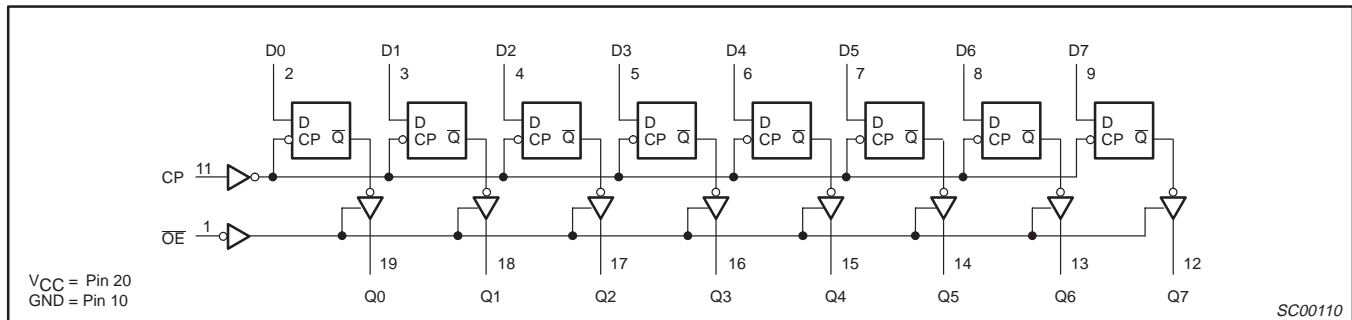


FUNCTION TABLE – 74ALS573B

| INPUTS | | | OUTPUTS REGISTER | INTERNAL | OPERATING MODE |
|-----------------|---|----|------------------|----------|--------------------------|
| \overline{OE} | E | Dn | | Q0 – Q7 | |
| L | H | L | L | L | Enable and read register |
| L | H | H | H | H | |
| L | ↓ | l | L | L | Latch and read register |
| L | ↓ | h | H | H | |
| L | L | X | NC | NC | Hold |
| H | L | X | NC | Z | Disable outputs |
| H | H | Dn | Dn | Z | |

- H = High-voltage level
- h = High state must be present one setup time before the High-to-Low enable transition
- L = Low-voltage level
- l = Low state must be present one setup time before the High-to-Low enable transition
- NC= No change
- X = Don't care
- Z = High impedance "off" state
- ↓ = High-to-Low enable transition

LOGIC DIAGRAM – 74ALS574A



Latch/flip-flop

74ALS573B/74ALS574A

FUNCTION TABLE – 74ALS574A

| INPUTS | | | OUTPUTS REGISTER | INTERNAL | OPERATING MODE |
|-----------------|------------|----|------------------|----------|-------------------------|
| \overline{OE} | CP | Dn | | Q0 – Q7 | |
| L | \uparrow | l | L | L | Latch and read register |
| L | \uparrow | h | H | H | |
| L | \uparrow | X | NC | NC | Hold |
| H | \uparrow | X | NC | Z | Disable outputs |
| H | \uparrow | Dn | Dn | Z | |

H = High-voltage level

h = High state must be present one setup time before the Low-to-High clock transition

L = Low-voltage level

l = Low state must be present one setup time before the Low-to-High clock transition

NC = No change

X = Don't care

Z = High impedance "off" state

 \uparrow = Low-to-High clock transition \uparrow = Not Low-to-High clock transition

ABSOLUTE MAXIMUM RATINGS

(Operation beyond the limit set forth in this table may impair the useful life of the device.)

Unless otherwise noted these limits are over the operating free-air temperature range.)

| SYMBOL | PARAMETER | RATING | UNIT |
|-----------|--|------------------|------|
| V_{CC} | Supply voltage | -0.5 to +7.0 | V |
| V_{IN} | Input voltage | -0.5 to +7.0 | V |
| I_{IN} | Input current | -30 to +5 | mA |
| V_{OUT} | Voltage applied to output in High output state | -0.5 to V_{CC} | V |
| I_{OUT} | Current applied to output in Low output state | 48 | mA |
| T_{amb} | Operating free-air temperature range | 0 to +70 | °C |
| T_{stg} | Storage temperature range | -65 to +150 | °C |

RECOMMENDED OPERATING CONDITIONS

| SYMBOL | PARAMETER | LIMITS | | | UNIT |
|-----------|--------------------------------------|--------|-----|------|------|
| | | MIN | NOM | MAX | |
| V_{CC} | Supply voltage | 4.5 | 5.0 | 5.5 | V |
| V_{IH} | High-level input voltage | 2.0 | | | V |
| V_{IL} | Low-level input voltage | | | 0.8 | V |
| I_{IK} | Input clamp current | | | -18 | mA |
| I_{OH} | High-level output current | | | -2.6 | mA |
| I_{OL} | Low-level output current | | | 24 | mA |
| T_{amb} | Operating free-air temperature range | 0 | | +70 | °C |

Latch/flip-flop

74ALS573B/74ALS574A

DC ELECTRICAL CHARACTERISTICS

(Over recommended operating free-air temperature range unless otherwise noted.)

| SYMBOL | PARAMETER | | TEST CONDITIONS ¹ | LIMITS | | | UNIT | | |
|------------------|---|-----------|---|--------------------------|-----------------------|-----------------------|------|----|----|
| | | | | MIN | TYP ² | MAX | | | |
| V _{OH} | High-level output voltage | | V _{CC} = ±10%, V _{IL} = MAX, V _{IH} = MIN | I _{OH} = -0.4mA | V _{CC} - 2 | | V | | |
| | | | | I _{OH} = MAX | 2.4 | 3.2 | V | | |
| V _{OL} | Low-level output voltage | | V _{CC} = MIN, V _{IL} = MAX, V _{IH} = MIN | I _{OL} = 12mA | | 0.25 | V | | |
| | | | | I _{OL} = 24mA | | 0.35 | 0.50 | V | |
| V _{IK} | Input clamp voltage | | V _{CC} = MIN, I _I = I _{IK} | | -0.73 | -1.2 | V | | |
| I _I | Input current at minimum input voltage | | V _{CC} = MAX, V _I = 7.0V | | | 0.1 | mA | | |
| I _{IH} | High-level input current | | V _{CC} = MAX, V _I = 2.7V | | | 20 | μA | | |
| I _{IL} | Low-level input current | 74ALS573B | V _{CC} = MAX, V _I = 0.4V | | | -0.1 | mA | | |
| | | 74ALS574A | V _{CC} = MAX, V _I = 0.4V | | | -0.2 | mA | | |
| I _{OZH} | Off-state output current, High-level voltage applied | | V _{CC} = MAX, V _I = 2.7V | | | 20 | μA | | |
| I _{OZL} | Off-state output current, Low-level voltage applied | | V _{CC} = MAX, V _I = 0.4V | | | -20 | μA | | |
| I _O | Output current ³ | | V _{CC} = MAX, V _O = 2.25V | -30 | | -112 | mA | | |
| I _{CC} | Supply current (total) | | 74ALS573B | I _{CCH} | V _{CC} = MAX | 7 | 12 | mA | |
| | | | | I _{CCL} | | 13 | 21 | mA | |
| | | | | I _{CCZ} | | 15 | 24 | mA | |
| | | | 74ALS574A | I _{CCH} | | V _{CC} = MAX | 10 | 16 | mA |
| | | | | I _{CCL} | | | 17 | 27 | mA |
| | | | | I _{CCZ} | | | 18 | 28 | mA |

NOTES:

- For conditions shown as MIN or MAX, use the appropriate value specified under recommended operating conditions for the applicable type.
- All typical values are at V_{CC} = 5V, T_{amb} = 25°C.
- The output conditions have been chosen to produce a current that closely approximates one half of the true short-circuit output current, I_{OS}.

Latch/flip-flop

74ALS573B/74ALS574A

AC ELECTRICAL CHARACTERISTICS

| SYMBOL | PARAMETER | TEST CONDITION | LIMITS | | UNIT | |
|------------------------|---|----------------|---|------------|--------------|-----|
| | | | $T_{amb} = 0^{\circ}C \text{ to } +70^{\circ}C$ $V_{CC} = +5.0V \pm 10\%$ $C_L = 50pF, R_L = 500\Omega$ | | | |
| | | | MIN | MAX | | |
| t_{PLH} t_{PHL} | Propagation delay Dn to Qn | 74ALS573B | Waveform 3 | 2.0 2.0 | 10.0 10.0 | ns |
| t_{PLH} t_{PHL} | Propagation delay E to Qn | | Waveform 2 | 4.0 4.0 | 12.0 12.0 | ns |
| t_{PZH} t_{PZL} | Output enable time to High or Low level | | Waveform 6 Waveform 7 | 2.0 4.0 | 9.0 11.0 | ns |
| t_{PHZ} t_{PLZ} | Output disable time from High or Low level | | Waveform 6 Waveform 7 | 1.0 2.0 | 9.0 11.0 | ns |
| f_{MAX} | Maximum clock frequency | 74ALS574A | Waveform 1 | 45 | | MHz |
| t_{PLH} t_{PHL} | Propagation delay CP to Qn | | Waveform 1 | 3.0 4.0 | 12.0 12.0 | ns |
| t_{PZH} t_{PZL} | Output enable time to High or Low level | | Waveform 6 Waveform 7 | 2.0 4.0 | 9.0 11.0 | ns |
| t_{PHZ} t_{PLZ} | Output disable time from High or Low level | | Waveform 6 Waveform 7 | 1.0 2.0 | 9.0 11.0 | ns |

AC SETUP CHARACTERISTICS

| SYMBOL | PARAMETER | TEST CONDITION | LIMITS | | UNIT | |
|----------------------------|-------------------------------------|----------------|---|-------------|------|----|
| | | | $T_{amb} = 0^{\circ}C \text{ to } +70^{\circ}C$ $V_{CC} = +5.0V \pm 10\%$ $C_L = 50pF, R_L = 500\Omega$ | | | |
| | | | MIN | MAX | | |
| $t_{su(H)}$ $t_{su(L)}$ | Setup time, High or Low Dn to E | 74ALS573B | Waveform 4 | 6.0 6.0 | | ns |
| $t_h(H)$ $t_h(L)$ | Hold time, High or Low Dn to E | | Waveform 4 | 6.0 6.0 | | ns |
| $t_w(H)$ | E Pulse width, High | | Waveform 1 | 10.0 | | ns |
| $t_{su(H)}$ $t_{su(L)}$ | Setup time, High or Low Dn to CP | 74ALS574A | Waveform 5 | 6.0 6.0 | | ns |
| $t_h(H)$ $t_h(L)$ | Hold time, High or Low Dn to CP | | Waveform 5 | 1.0 1.0 | | ns |
| $t_w(H)$ $t_w(L)$ | CP Pulse width, High or Low | | Waveform 5 | 8.0 12.0 | | ns |

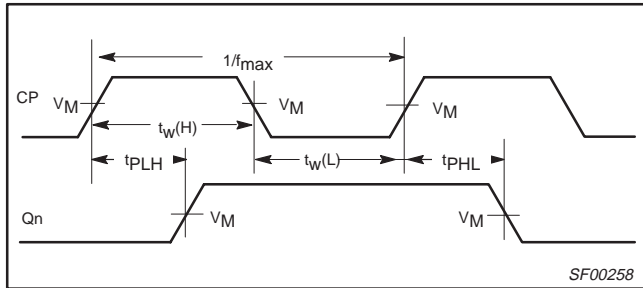
Latch/flip-flop

74ALS573B/74ALS574A

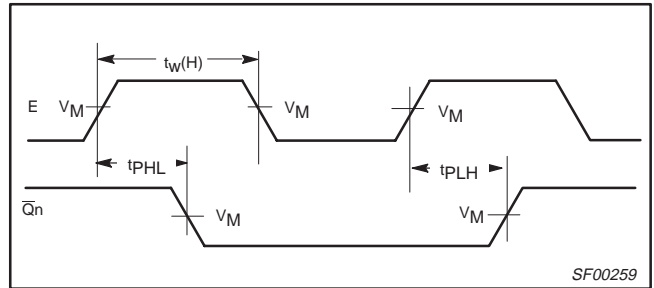
AC WAVEFORMS

For all waveforms, $V_M = 1.3V$.

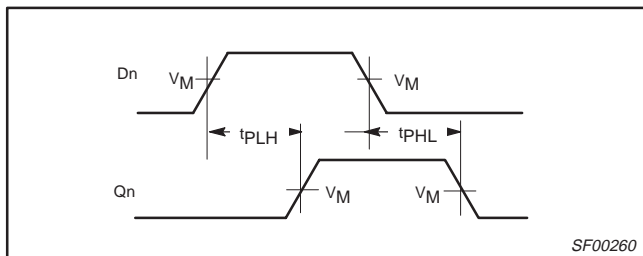
The shaded areas indicate when the input is permitted to change for predictable output performance.



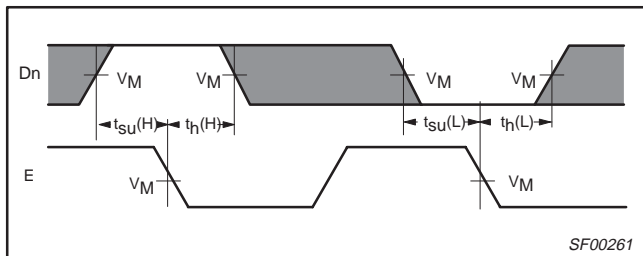
Waveform 1. Propagation Delay for Clock Input to Output, Clock Pulse Widths, and Maximum Clock Frequency



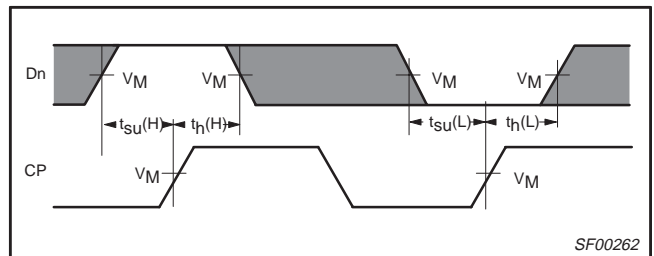
Waveform 2. Propagation Delay for Enable to Output and Enable Pulse Width



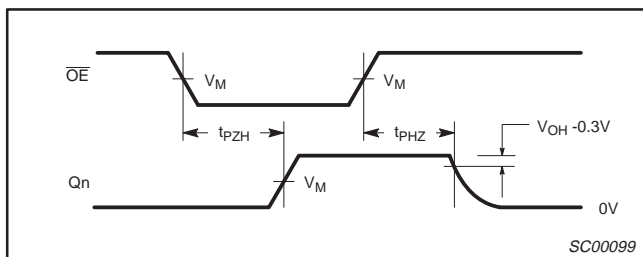
Waveform 3. Propagation Delay for Data to Output



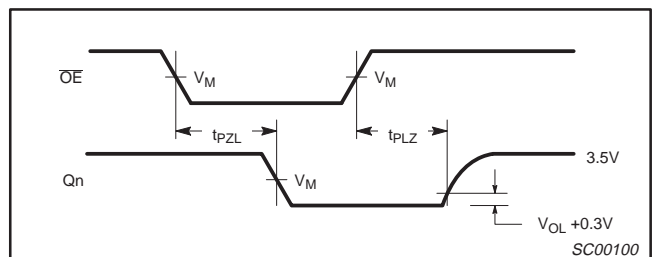
Waveform 4. Data Setup Time and Hold Times



Waveform 5. Data Setup Time and Hold Times



Waveform 6. 3-State Output Enable Time to High Level and Output Disable Time from High Level

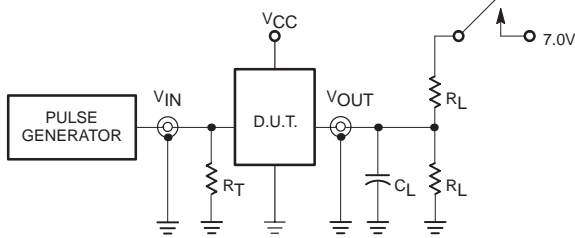


Waveform 7. 3-State Output Enable Time to Low Level and Output Disable Time from Low Level

Latch/flip-flop

74ALS573B/74ALS574A

TEST CIRCUIT AND WAVEFORMS



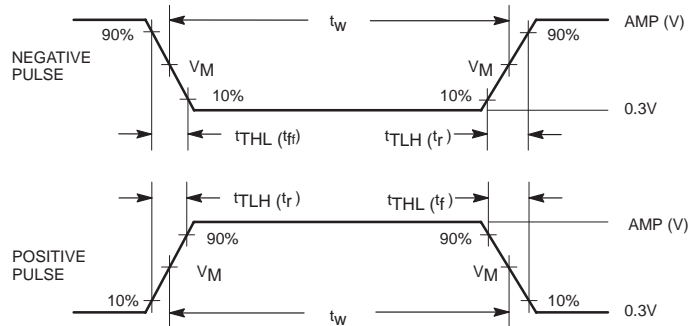
Test Circuit for 3-State Outputs

SWITCH POSITION

| TEST | SWITCH |
|--------------------|--------|
| t_{PLZ}, t_{PZL} | closed |
| All other | open |

DEFINITIONS:

- R_L = Load resistor; see AC electrical characteristics for value.
- C_L = Load capacitance includes jig and probe capacitance; see AC electrical characteristics for value.
- R_T = Termination resistance should be equal to Z_{OUT} of pulse generators.



Input Pulse Definition

| Family | INPUT PULSE REQUIREMENTS | | | | | |
|--------|--------------------------|-------|----------|-------|-----------|-----------|
| | Amplitude | V_M | Rep.Rate | t_w | t_{TLH} | t_{THL} |
| 74ALS | 3.5V | 1.3V | 1MHz | 500ns | 2.0ns | 2.0ns |

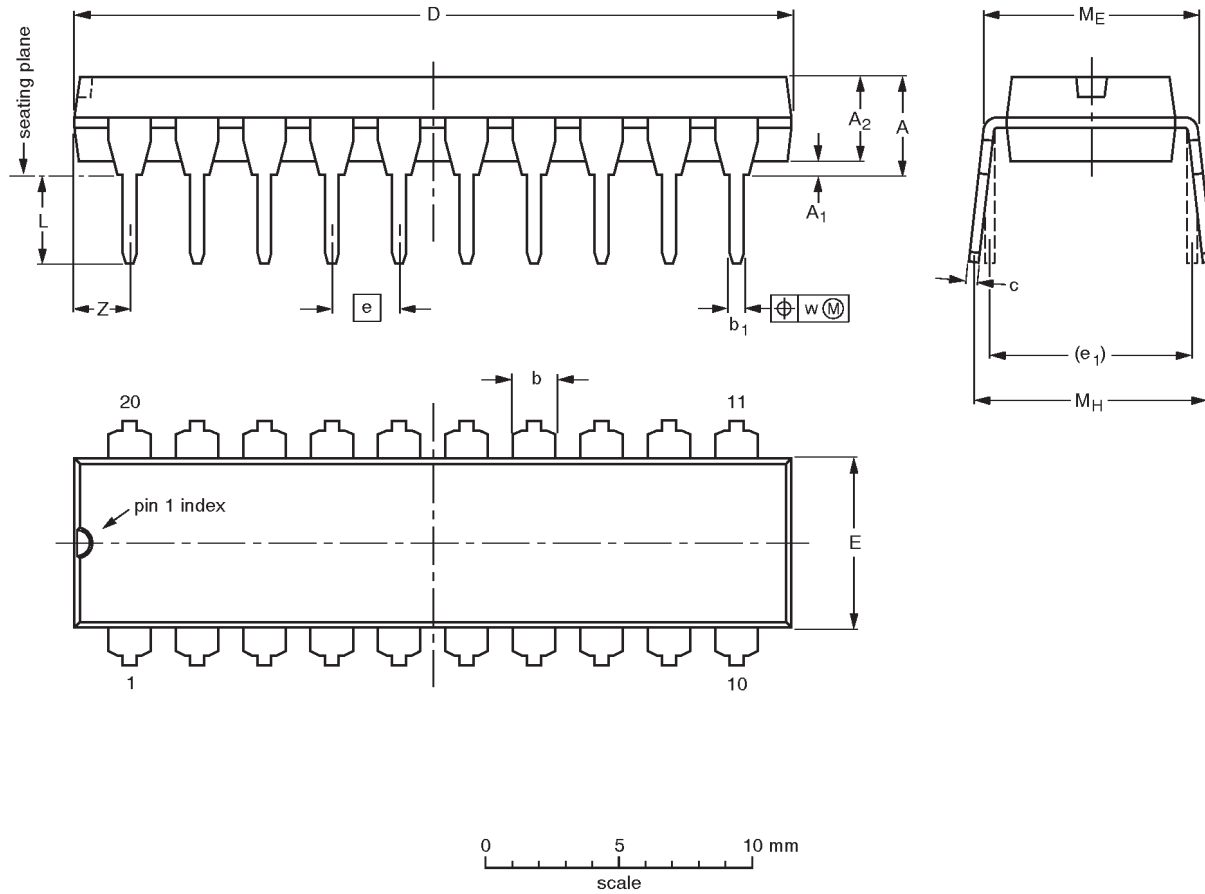
SC00072

Latch/flip-flop

74ALS573B/74ALS574A

DIP20: plastic dual in-line package; 20 leads (300 mil)

SOT146-1




DIMENSIONS (inch dimensions are derived from the original mm dimensions)

| UNIT | A max. | A ₁ min. | A ₂ max. | b | b ₁ | c | D ⁽¹⁾ | E ⁽¹⁾ | e | e ₁ | L | M _E | M _H | w | Z ⁽¹⁾ max. |
|--------|--------|---------------------|---------------------|----------------|----------------|----------------|------------------|------------------|------|----------------|--------------|----------------|----------------|-------|-----------------------|
| mm | 4.2 | 0.51 | 3.2 | 1.73 1.30 | 0.53 0.38 | 0.36 0.23 | 26.92 26.54 | 6.40 6.22 | 2.54 | 7.62 | 3.60 3.05 | 8.25 7.80 | 10.0 8.3 | 0.254 | 2.0 |
| inches | 0.17 | 0.020 | 0.13 | 0.068 0.051 | 0.021 0.015 | 0.014 0.009 | 1.060 1.045 | 0.25 0.24 | 0.10 | 0.30 | 0.14 0.12 | 0.32 0.31 | 0.39 0.33 | 0.01 | 0.078 |

Note

1. Plastic or metal protrusions of 0.25 mm maximum per side are not included.

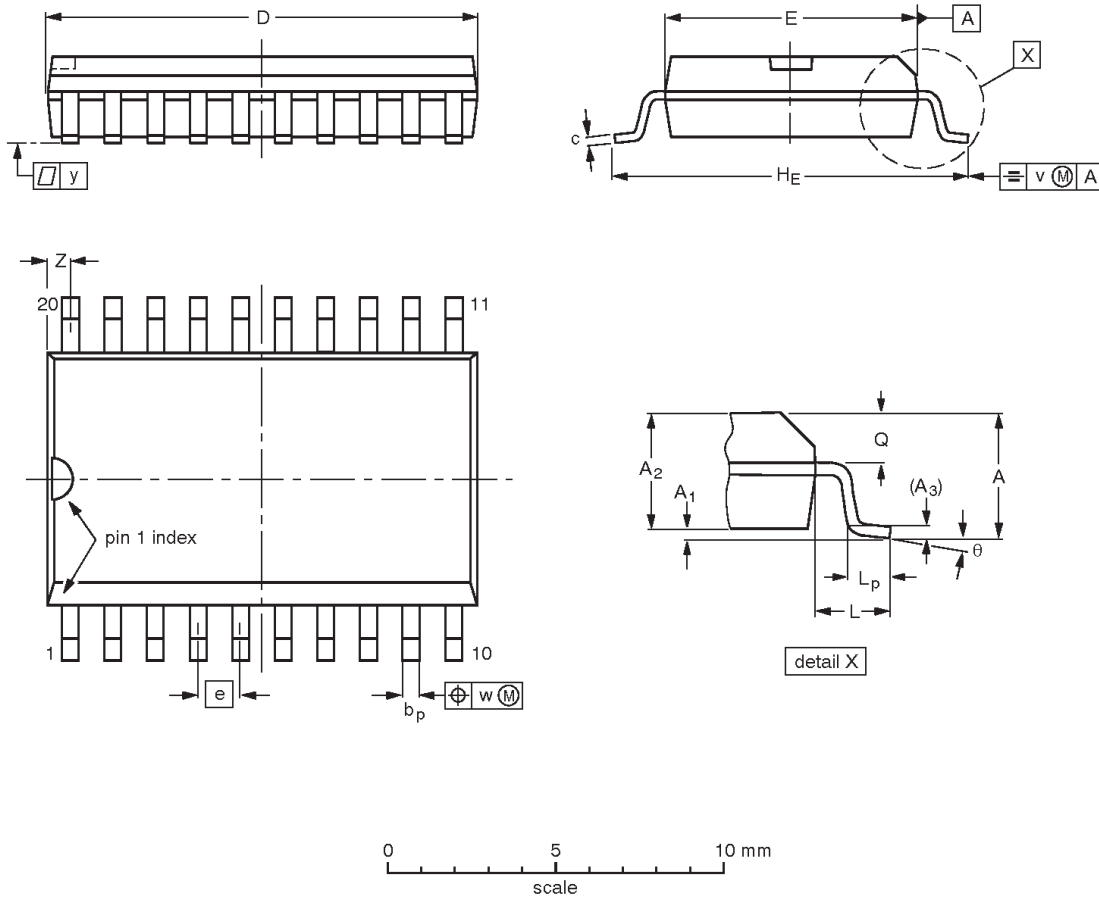
| OUTLINE VERSION | REFERENCES | | | | EUROPEAN PROJECTION | ISSUE DATE |
|-----------------|------------|-------|-------|--|---|----------------------|
| | IEC | JEDEC | EIAJ | | | |
| SOT146-1 | | | SC603 | |  | 92-11-17 95-05-24 |

Latch/flip-flop

74ALS573B/74ALS574A

SO20: plastic small outline package; 20 leads; body width 7.5 mm

SOT163-1



DIMENSIONS (inch dimensions are derived from the original mm dimensions)

| UNIT | A max. | A ₁ | A ₂ | A ₃ | b _p | c | D ⁽¹⁾ | E ⁽¹⁾ | e | H _E | L | L _p | Q | v | w | y | Z ⁽¹⁾ | θ |
|--------|--------|----------------|----------------|----------------|----------------|----------------|------------------|------------------|-------|----------------|-------|----------------|----------------|------|------|-------|------------------|----------|
| mm | 2.65 | 0.30 0.10 | 2.45 2.25 | 0.25 | 0.49 0.36 | 0.32 0.23 | 13.0 12.6 | 7.6 7.4 | 1.27 | 10.65 10.00 | 1.4 | 1.1 0.4 | 1.1 1.0 | 0.25 | 0.25 | 0.1 | 0.9 0.4 | 8° 0° |
| inches | 0.10 | 0.012 0.004 | 0.096 0.089 | 0.01 | 0.019 0.014 | 0.013 0.009 | 0.51 0.49 | 0.30 0.29 | 0.050 | 0.42 0.39 | 0.055 | 0.043 0.016 | 0.043 0.039 | 0.01 | 0.01 | 0.004 | 0.035 0.016 | |

Note

1. Plastic or metal protrusions of 0.15 mm maximum per side are not included.

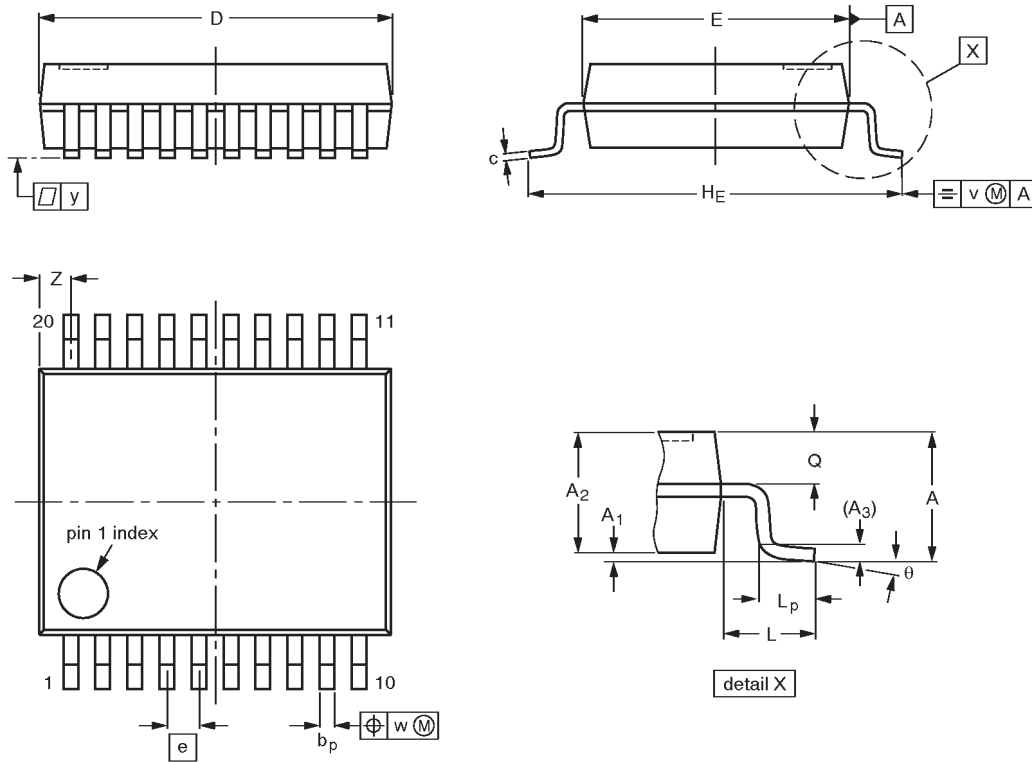
| OUTLINE VERSION | REFERENCES | | | | EUROPEAN PROJECTION | ISSUE DATE |
|-----------------|------------|----------|------|--|---------------------|----------------------|
| | IEC | JEDEC | EIAJ | | | |
| SOT163-1 | 075E04 | MS-013AC | | | | 92-11-17 95-01-24 |

Latch/flip-flop

74ALS573B/74ALS574A

SSOP20: plastic shrink small outline package; 20 leads; body width 5.3 mm

SOT339-1



DIMENSIONS (mm are the original dimensions)

| UNIT | A max. | A ₁ | A ₂ | A ₃ | b _p | c | D ⁽¹⁾ | E ⁽¹⁾ | e | H _E | L | L _p | Q | v | w | y | Z ⁽¹⁾ | θ |
|------|--------|----------------|----------------|----------------|----------------|--------------|------------------|------------------|------|----------------|------|----------------|------------|-----|------|-----|------------------|----------|
| mm | 2.0 | 0.21 0.05 | 1.80 1.65 | 0.25 | 0.38 0.25 | 0.20 0.09 | 7.4 7.0 | 5.4 5.2 | 0.65 | 7.9 7.6 | 1.25 | 1.03 0.63 | 0.9 0.7 | 0.2 | 0.13 | 0.1 | 0.9 0.5 | 8° 0° |

Note

1. Plastic or metal protrusions of 0.20 mm maximum per side are not included.

| OUTLINE VERSION | REFERENCES | | | | EUROPEAN PROJECTION | ISSUE DATE |
|-----------------|------------|----------|------|--|---------------------|----------------------|
| | IEC | JEDEC | EIAJ | | | |
| SOT339-1 | | MO-150AE | | | | 93-09-08 95-02-04 |

Latch/flip-flop

74ALS573B/74ALS574A

DEFINITIONS

| Data Sheet Identification | Product Status | Definition |
|----------------------------------|-------------------------------|--|
| <i>Objective Specification</i> | Formative or in Design | This data sheet contains the design target or goal specifications for product development. Specifications may change in any manner without notice. |
| <i>Preliminary Specification</i> | Preproduction Product | This data sheet contains preliminary data, and supplementary data will be published at a later date. Philips Semiconductors reserves the right to make changes at any time without notice in order to improve design and supply the best possible product. |
| <i>Product Specification</i> | Full Production | This data sheet contains Final Specifications. Philips Semiconductors reserves the right to make changes at any time without notice, in order to improve design and supply the best possible product. |

Philips Semiconductors and Philips Electronics North America Corporation reserve the right to make changes, without notice, in the products, including circuits, standard cells, and/or software, described or contained herein in order to improve design and/or performance. Philips Semiconductors assumes no responsibility or liability for the use of any of these products, conveys no license or title under any patent, copyright, or mask work right to these products, and makes no representations or warranties that these products are free from patent, copyright, or mask work right infringement, unless otherwise specified. Applications that are described herein for any of these products are for illustrative purposes only. Philips Semiconductors makes no representation or warranty that such applications will be suitable for the specified use without further testing or modification.

LIFE SUPPORT APPLICATIONS

Philips Semiconductors and Philips Electronics North America Corporation Products are not designed for use in life support appliances, devices, or systems where malfunction of a Philips Semiconductors and Philips Electronics North America Corporation Product can reasonably be expected to result in a personal injury. Philips Semiconductors and Philips Electronics North America Corporation customers using or selling Philips Semiconductors and Philips Electronics North America Corporation Products for use in such applications do so at their own risk and agree to fully indemnify Philips Semiconductors and Philips Electronics North America Corporation for any damages resulting from such improper use or sale.

Philips Semiconductors
811 East Arques Avenue
P.O. Box 3409
Sunnyvale, California 94088-3409
Telephone 800-234-7381

© Copyright Philips Electronics North America Corporation 1997
 All rights reserved. Printed in U.S.A.

Let's make things better.