

# DATA SHEET

## **74F620**

Octal bus transceiver, inverting (3state)

## **74F623**

Octal bus transceiver, non-inverting  
(3state)

Product specification

1989 Apr 06

IC15 Data Handbook

# Transceivers

# 74F620/74F623

*74F620 Octal Bus Transceiver, Inverting (3-State)*  
*74F623 Octal Bus Transceiver, Non-Inverting (3-State)*

### FEATURES

- High-impedance NPN base inputs for reduced loading (70µA in High and Low states)
- Ideal for applications which require high output drive and minimal bus loading
- Octal bidirectional bus interface
- 3-State buffer outputs sink 64mA and source 15mA
- 74F620, inverting
- 74F623, non-inverting

### DESCRIPTION

The 74F620 is an octal transceiver featuring inverting 3-State bus-compatible outputs in both send and receive directions. The outputs are capable of sinking 64mA and sourcing up to 15mA, providing very good capacitive drive characteristics. The 74F623 is a non-inverting version of the 74F620.

These octal bus transceivers are designed for asynchronous two-way communication between data buses. The control function implementation allows for maximum flexibility in timing.

These devices allow data transmission from the A bus to the B bus or from the B bus to the A bus depending upon the logic levels at the

Enable inputs ( $\overline{OEBA}$  and OEAB). The Enable inputs can be used to disable the device so that the buses are effectively isolated.

The dual-enable configuration gives the 74F620 and 74F623 the capability to store data by the simultaneous enabling of  $\overline{OEBA}$  and OEAB. Each output reinforces its input in this transceiver configuration. Thus, when both control inputs are enabled and all other data sources to the two sets of the bus lines are at high impedance, both sets of bus lines (16 in all) will remain in their last states.

TYPE	TYPICAL PROPAGATION DELAY	TYPICAL SUPPLY CURRENT (TOTAL)
74F620	3.5ns	80mA
74F623	4.5ns	105mA

### ORDERING INFORMATION

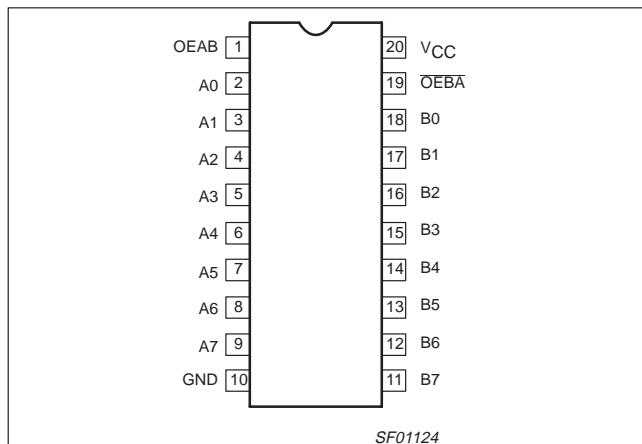
DESCRIPTION	COMMERCIAL RANGE $V_{CC} = 5V \pm 10\%$ , $T_{amb} = 0^{\circ}C$ to $+70^{\circ}C$	PKG DWG #
20-pin plastic DIP	N74F620N, N74623N	SOT146-1
20-pin plastic SOL	N74F620D, N74623D	SOT163-1

### INPUT AND OUTPUT LOADING AND FAN-OUT TABLE

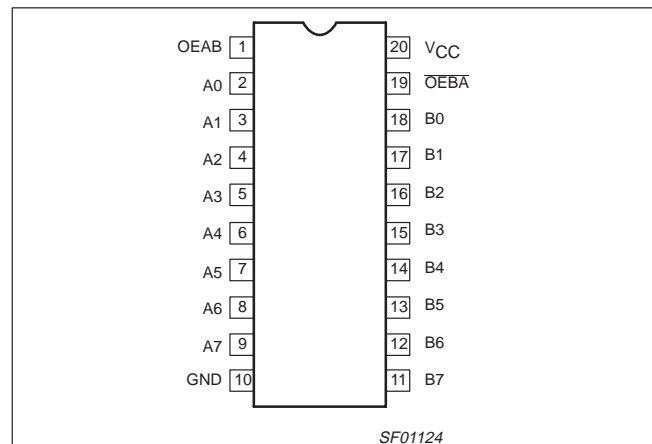
PINS	DESCRIPTION	74F(U.L.) HIGH/LOW	LOAD VALUE HIGH/LOW
A0 - A7, B0 - B7	Data inputs	3.5/1.16	70µA/70µA
$\overline{OEBA}$ , OEAB	Output Enable inputs	1.0/0.033	20µA/20µA
A0 - A7	Data outputs	150/40	3mA/24mA
B0 - B7	Data outputs	750/106.7	15mA/64mA

**NOTE:** One (1.0) FAST unit load is defined as: 20µA in the High state and 0.6mA in the Low state.

### PIN CONFIGURATION – 74F620



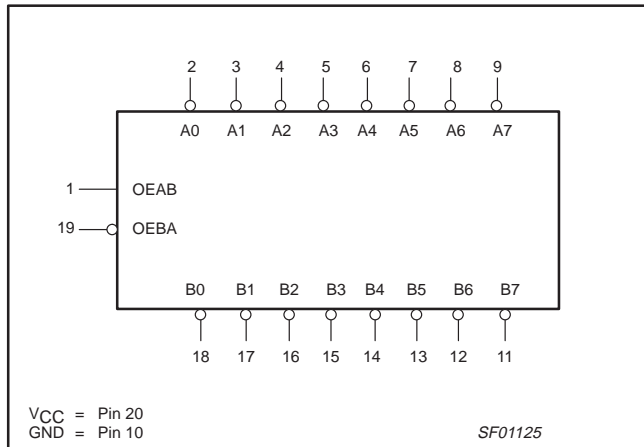
### PIN CONFIGURATION – 74F623



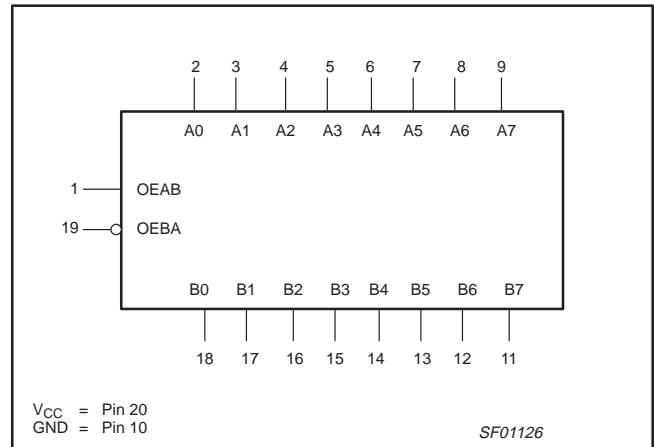
# Transceivers

# 74F620/74F623

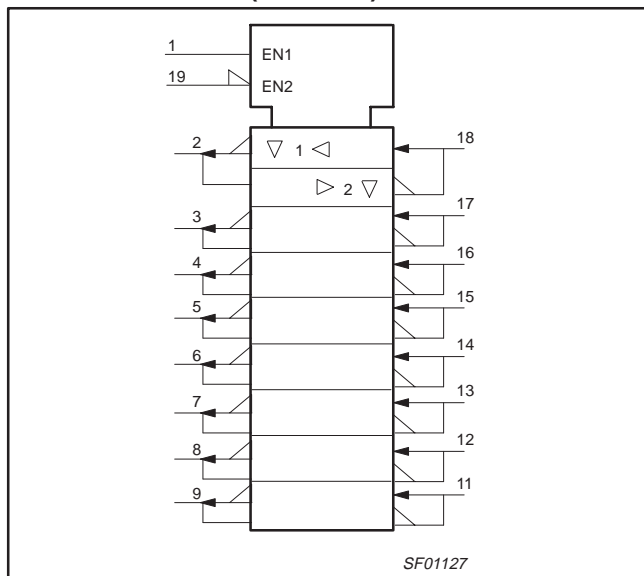
## LOGIC SYMBOL – 74F620



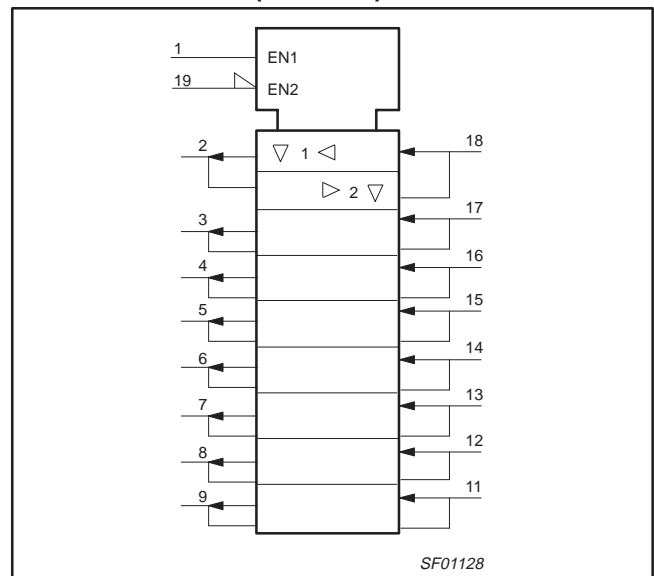
## LOGIC SYMBOL – 74F623



## IEC/IEEE SYMBOL (IEEE/IEC) – 74F620



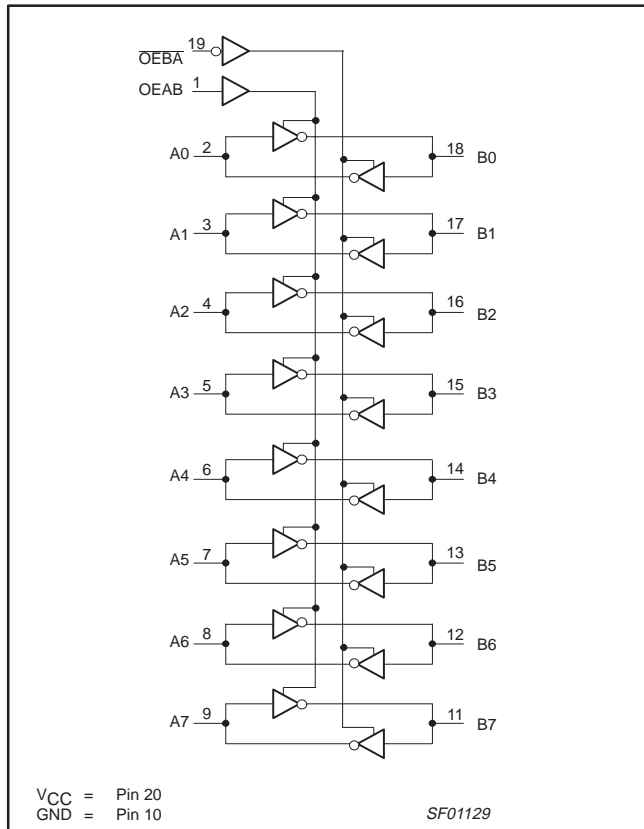
## IEC/IEEE SYMBOL (IEEE/IEC) – 74F623



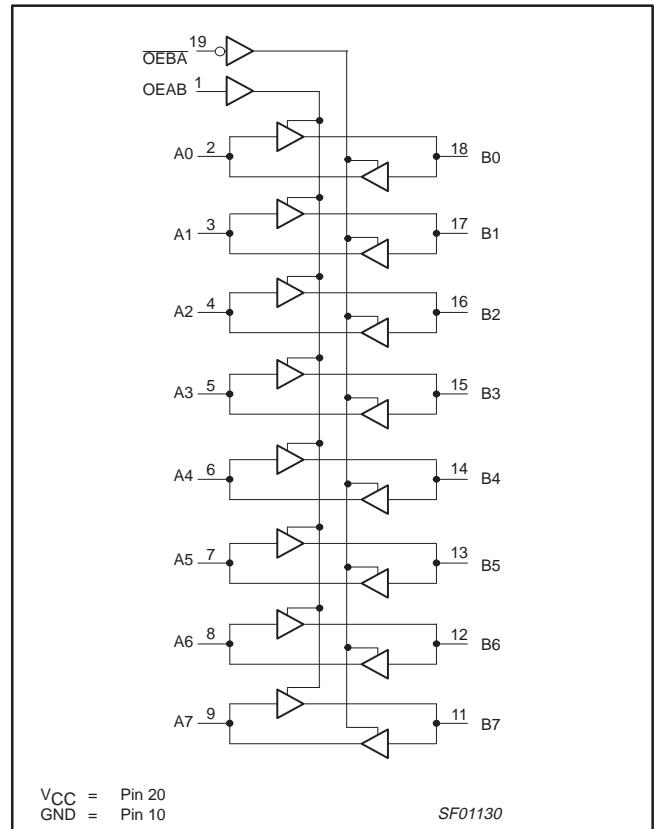
# Transceivers

# 74F620/74F623

**LOGIC DIAGRAM – 74F620**



**LOGIC DIAGRAM – 74F623**



**FUNCTION TABLE**

INPUTS		OPERATING MODES	
OEBA	OEAB	74F620	74F623
L	L	$\bar{B}$ data to A bus	B data to A bus
H	H	$\bar{A}$ data to B bus	A data to B bus
H	L	Z	Z
L	H	$\bar{B}$ data to A bus	B data to A bus
		$\bar{A}$ data to B bus	A data to B bus

H = High voltage level  
L = Low voltage level  
X = Don't care  
Z = High impedance "off" state

## Transceivers

## 74F620/74F623

**ABSOLUTE MAXIMUM RATINGS**

(Operation beyond the limits set forth in this table may impair the useful life of the device.  
Unless otherwise noted these limits are over the operating free-air temperature range.)

SYMBOL	PARAMETER		RATING	UNIT
V <sub>CC</sub>	Supply voltage		-0.5 to +7.0	V
V <sub>IN</sub>	Input voltage		-0.5 to +7.0	V
I <sub>IN</sub>	Input current		-30 to +5	mA
V <sub>OUT</sub>	Voltage applied to output in High output state		-0.5 to +V <sub>CC</sub>	V
I <sub>OUT</sub>	Current applied to output in Low output state	A0-A7	48	mA
		B0-B7	128	mA
T <sub>amb</sub>	Operating free-air temperature range		0 to +70	°C
T <sub>stg</sub>	Storage temperature range		-65 to +150	°C

**RECOMMENDED OPERATING CONDITIONS**

SYMBOL	PARAMETER	LIMITS			UNIT
		MIN	NOM	MAX	
V <sub>CC</sub>	Supply voltage	4.5	5.0	5.5	V
V <sub>IH</sub>	High-level input voltage	2.0			V
V <sub>IL</sub>	Low-level input voltage			0.8	V
I <sub>IK</sub>	Input clamp current			-18	mA
I <sub>OH</sub>	High-level output current	A0-A7		-3	mA
		B0-B7		-15	mA
I <sub>OL</sub>	Low-level output current	A0-A7		24	mA
		B0-B7		64	mA
T <sub>amb</sub>	Operating free-air temperature range	0		70	°C

Transceivers

74F620/74F623

**DC ELECTRICAL CHARACTERISTICS**

(Over recommended operating free-air temperature range unless otherwise noted.)

SYMBOL	PARAMETER		TEST CONDITIONS <sup>NO TAG</sup>			LIMITS			UNIT
						MIN	TYP NO TAG	MAX	
V <sub>OH</sub>	High-level output voltage	A0–A7	V <sub>CC</sub> = MIN, V <sub>IL</sub> = MAX, V <sub>IH</sub> = MIN	I <sub>OH</sub> = –3mA	±10%V <sub>CC</sub>	2.4			V
		B0–B7			±5%V <sub>CC</sub>	2.7	3.3		V
		B0–B7		I <sub>OH</sub> = –15mA	±10%V <sub>CC</sub>	2.0			V
					±5%V <sub>CC</sub>	2.0			V
V <sub>OL</sub>	Low-level output voltage	A0–A7	V <sub>CC</sub> = MIN, V <sub>IL</sub> = MAX, V <sub>IH</sub> = MIN,	I <sub>OL</sub> = 24mA	±10%V <sub>CC</sub>		0.35	0.50	V
		B0–B7			±5%V <sub>CC</sub>		0.35	0.50	V
		B0–B7		I <sub>OL</sub> = 48mA	±10%V <sub>CC</sub>		0.38	0.55	V
					±5%V <sub>CC</sub>		0.42	0.55	V
V <sub>IK</sub>	Input clamp voltage		V <sub>CC</sub> = MIN, I <sub>I</sub> = I <sub>IK</sub>				–0.73	–1.2	V
I <sub>I</sub>	Input current at maximum input voltage	OEBA̅, OEAB	V <sub>CC</sub> = 0.0V, V <sub>I</sub> = 7.0V					100	µA
		others	V <sub>CC</sub> = 5.5V, V <sub>I</sub> = 5.5V					1	mA
I <sub>IH</sub>	High-level input current	OEBA̅, OEAB	V <sub>CC</sub> = MAX, V <sub>I</sub> = 2.7V					20	µA
I <sub>IL</sub>	Low-level input current	only	V <sub>CC</sub> = MAX, V <sub>I</sub> = 0.5V					–20	µA
I <sub>OZH</sub> +I <sub>IH</sub>	Off-state output current, High-level of voltage applied	A0–A7	V <sub>CC</sub> = MAX, V <sub>I</sub> = 2.7V					70	µA
I <sub>OZL</sub> +I <sub>IL</sub>	Off-state output current, Low-level of voltage applied	B0–B7	V <sub>CC</sub> = MAX, V <sub>I</sub> = 0.5V					–70	µA
I <sub>OS</sub>	Short-circuit output current <sup>NO TAG</sup>	A0–A7	V <sub>CC</sub> = MAX		–60			–150	mA
		B0–B7			–100			–225	mA
I <sub>CC</sub>	Supply current (total)	74F620	V <sub>CC</sub> = MAX	OEBA̅=OEAB=4.5V; A0–A7=GND		70		92	mA
				OEBA̅=OEAB=4.5V; A0–A7=4.5V		84		110	mA
				OEAB=GND; OEBA̅=A0–A7=4.5V		84		110	mA
		74F623	V <sub>CC</sub> = MAX	OEBA̅=OEAB=4.5V; A0–A7=4.5V		110		140	mA
				OEBA̅=OEAB=4.5V; A0–A7=GND		110		140	mA
				OEAB=GND; OEBA̅=A0–A7=4.5V		99		130	mA

**NOTES:**

- For conditions shown as MIN or MAX, use the appropriate value specified under recommended operating conditions for the applicable type.
- All typical values are at V<sub>CC</sub> = 5V, T<sub>amb</sub> = 25°C.
- Not more than one output should be shorted at a time. For testing I<sub>OS</sub>, the use of high-speed test apparatus and/or sample-and-hold techniques are preferable in order to minimize internal heating and more accurately reflect operational values. Otherwise, prolonged shorting of a High output may raise the chip temperature well above normal and thereby cause invalid readings in other parameter tests. In any sequence of parameter tests, I<sub>OS</sub> tests should be performed last.

## Transceivers

## 74F620/74F623

## AC ELECTRICAL CHARACTERISTICS – 74F620

SYMBOL	PARAMETER	TEST CONDITION	LIMITS					UNIT
			V <sub>CC</sub> = +5V T <sub>amb</sub> = +25°C C <sub>L</sub> = 50pF, R <sub>L</sub> = 500Ω			V <sub>CC</sub> = +5V ± 10% T <sub>amb</sub> = 0°C to +70°C C <sub>L</sub> = 50pF, R <sub>L</sub> = 500Ω		
			MIN	TYP	MAX	MIN	MAX	
t <sub>PLH</sub> t <sub>PHL</sub>	Propagation delay An to Bn	Waveform 2	2.5 1.0	4.5 2.5	6.5 4.5	2.0 1.0	7.5 5.0	ns
t <sub>PLH</sub> t <sub>PHL</sub>	Propagation delay Bn to An	Waveform 2	2.5 1.0	4.5 2.5	6.5 4.5	2.0 1.0	7.5 5.0	ns
t <sub>PZH</sub> t <sub>PZL</sub>	Output Enable time to High or Low level, $\overline{OEBA}$ to An	Waveform 3 Waveform 4	3.0 4.0	7.5 7.5	10.5 10.5	2.5 3.5	11.5 11.5	ns
t <sub>PHZ</sub> t <sub>PLZ</sub>	Output Disable time to High or Low level, $\overline{OEBA}$ to An	Waveform 3 Waveform 4	2.5 2.0	4.5 4.5	7.5 7.0	2.0 1.5	8.0 7.5	ns
t <sub>PZH</sub> t <sub>PZL</sub>	Output Enable time to High or Low level, OEAB to Bn	Waveform 3 Waveform 4	4.5 4.5	7.5 7.5	10.5 10.0	4.0 4.0	11.5 11.0	ns
t <sub>PHZ</sub> t <sub>PLZ</sub>	Output Disable time to High or Low level, OEAB to Bn	Waveform 3 Waveform 4	3.0 4.0	6.5 6.5	9.5 9.5	2.5 3.5	10.5 10.5	ns

## AC ELECTRICAL CHARACTERISTICS – 74F623

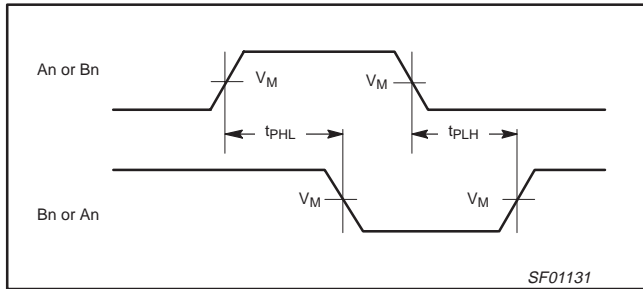
SYMBOL	PARAMETER	TEST CONDITION	LIMITS					UNIT
			V <sub>CC</sub> = +5V T <sub>amb</sub> = +25°C C <sub>L</sub> = 50pF, R <sub>L</sub> = 500Ω			V <sub>CC</sub> = +5V ± 10% T <sub>amb</sub> = 0°C to +70°C C <sub>L</sub> = 50pF, R <sub>L</sub> = 500Ω		
			MIN	TYP	MAX	MIN	MAX	
t <sub>PLH</sub> t <sub>PHL</sub>	Propagation delay An to Bn	Waveform 1	2.0 3.0	4.0 5.0	5.5 7.0	2.0 2.5	6.5 7.5	ns
t <sub>PLH</sub> t <sub>PHL</sub>	Propagation delay Bn to An	Waveform 1	2.0 2.5	4.0 4.5	5.5 6.5	2.0 2.5	6.5 7.5	ns
t <sub>PZH</sub> t <sub>PZL</sub>	Output Enable time to High or Low level, $\overline{OEBA}$ to An	Waveform 3 Waveform 4	5.0 5.0	8.5 7.5	10.5 9.5	5.0 5.0	12.0 10.0	ns
t <sub>PHZ</sub> t <sub>PLZ</sub>	Output Disable time to High or Low level, $\overline{OEBA}$ to An	Waveform 3 Waveform 4	2.5 2.5	4.5 4.5	6.5 6.5	2.5 2.5	7.5 7.0	ns
t <sub>PZH</sub> t <sub>PZL</sub>	Output Enable time to High or Low level, OEAB to Bn	Waveform 3 Waveform 4	5.0 4.5	8.0 7.0	10.0 9.0	5.0 4.5	11.5 9.5	ns
t <sub>PHZ</sub> t <sub>PLZ</sub>	Output Disable time to High or Low level, OEAB to Bn	Waveform 3 Waveform 4	3.0 4.0	6.0 7.0	8.5 9.0	3.0 4.0	10.0 10.0	ns

# Transceivers

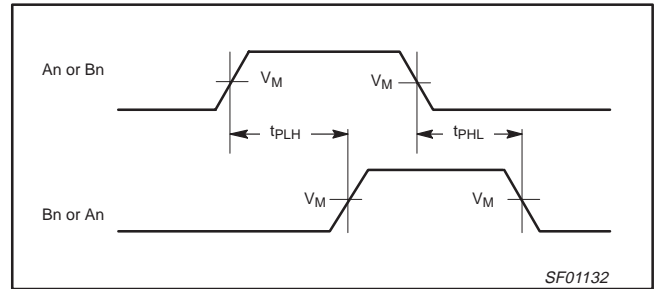
# 74F620/74F623

## AC WAVEFORMS

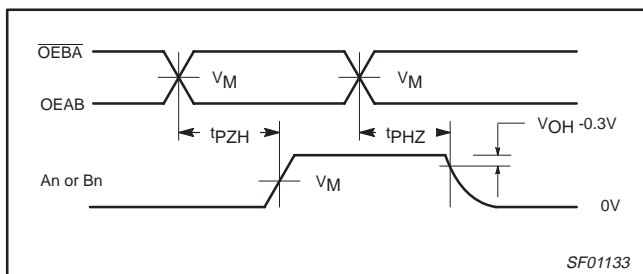
For all waveforms,  $V_M = 1.5V$ .



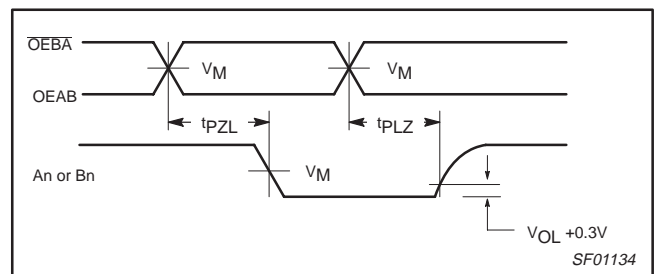
Waveform 1. For Inverting Outputs



Waveform 2. For Non-Inverting Outputs



Waveform 3. 3-State Output Enable Time to High Level and Output Disable Time from High Level



Waveform 4. 3-State Output Enable Time to Low Level and Output Disable Time from Low Level

## TEST CIRCUIT AND WAVEFORMS

**Test Circuit for 3-State Outputs**

**SWITCH POSITION**

TEST	SWITCH
$t_{pLZ}$	closed
$t_{pZL}$	closed
All other	open

**DEFINITIONS:**  
 $R_L$  = Load resistor; see AC electrical characteristics for value.  
 $C_L$  = Load capacitance includes jig and probe capacitance; see AC electrical characteristics for value.  
 $R_T$  = Termination resistance should be equal to  $Z_{OUT}$  of pulse generators.

**Input Pulse Definition**

INPUT PULSE REQUIREMENTS						
family	amplitude	$V_M$	rep. rate	$t_w$	$t_{TLH}$	$t_{THL}$
74F	3.0V	1.5V	1MHz	500ns	2.5ns	2.5ns

SF00777

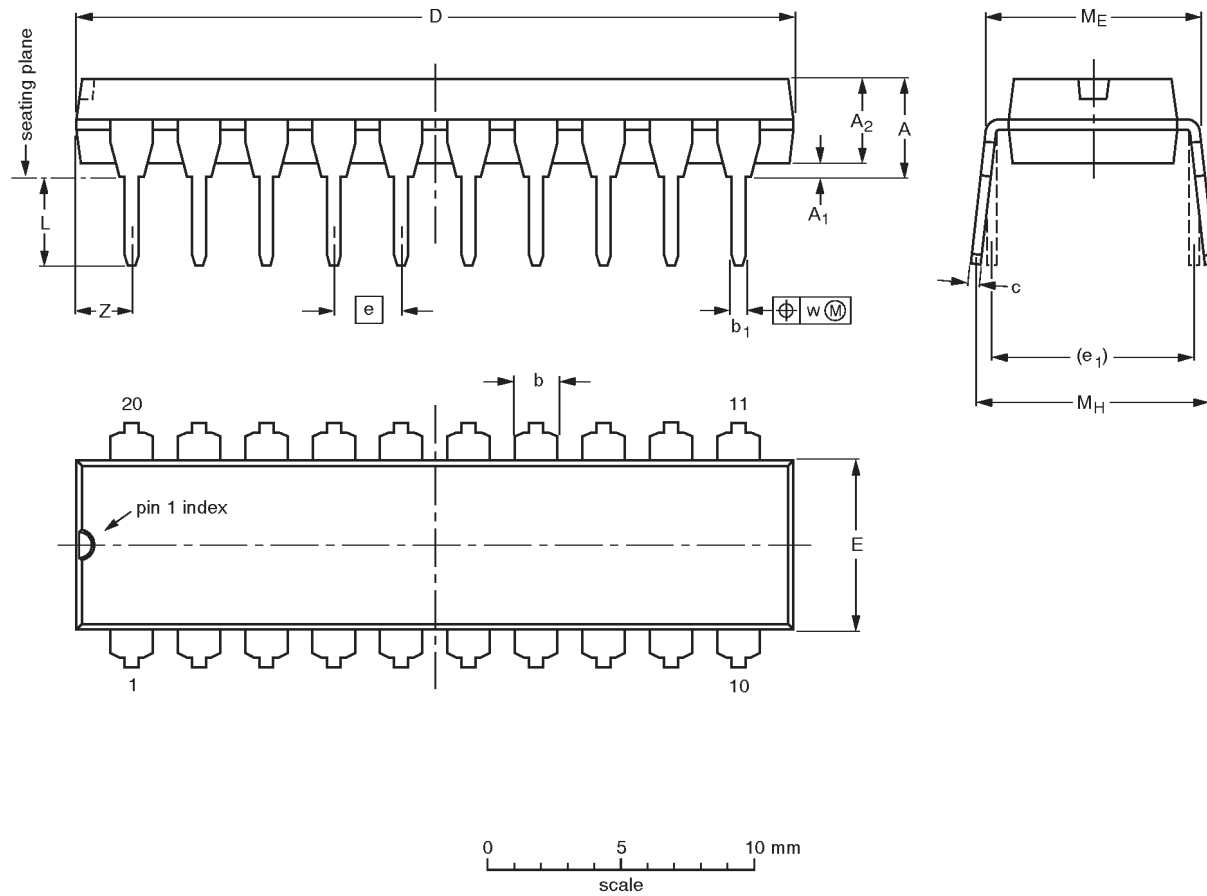


# Transceivers

# 74F620, 74F623

DIP20: plastic dual in-line package; 20 leads (300 mil)

SOT146-1



**DIMENSIONS** (inch dimensions are derived from the original mm dimensions)

UNIT	A max.	A <sub>1</sub> min.	A <sub>2</sub> max.	b	b <sub>1</sub>	c	D <sup>(1)</sup>	E <sup>(1)</sup>	e	e <sub>1</sub>	L	M <sub>E</sub>	M <sub>H</sub>	w	Z <sup>(1)</sup> max.
mm	4.2	0.51	3.2	1.73 1.30	0.53 0.38	0.36 0.23	26.92 26.54	6.40 6.22	2.54	7.62	3.60 3.05	8.25 7.80	10.0 8.3	0.254	2.0
inches	0.17	0.020	0.13	0.068 0.051	0.021 0.015	0.014 0.009	1.060 1.045	0.25 0.24	0.10	0.30	0.14 0.12	0.32 0.31	0.39 0.33	0.01	0.078

**Note**

1. Plastic or metal protrusions of 0.25 mm maximum per side are not included.

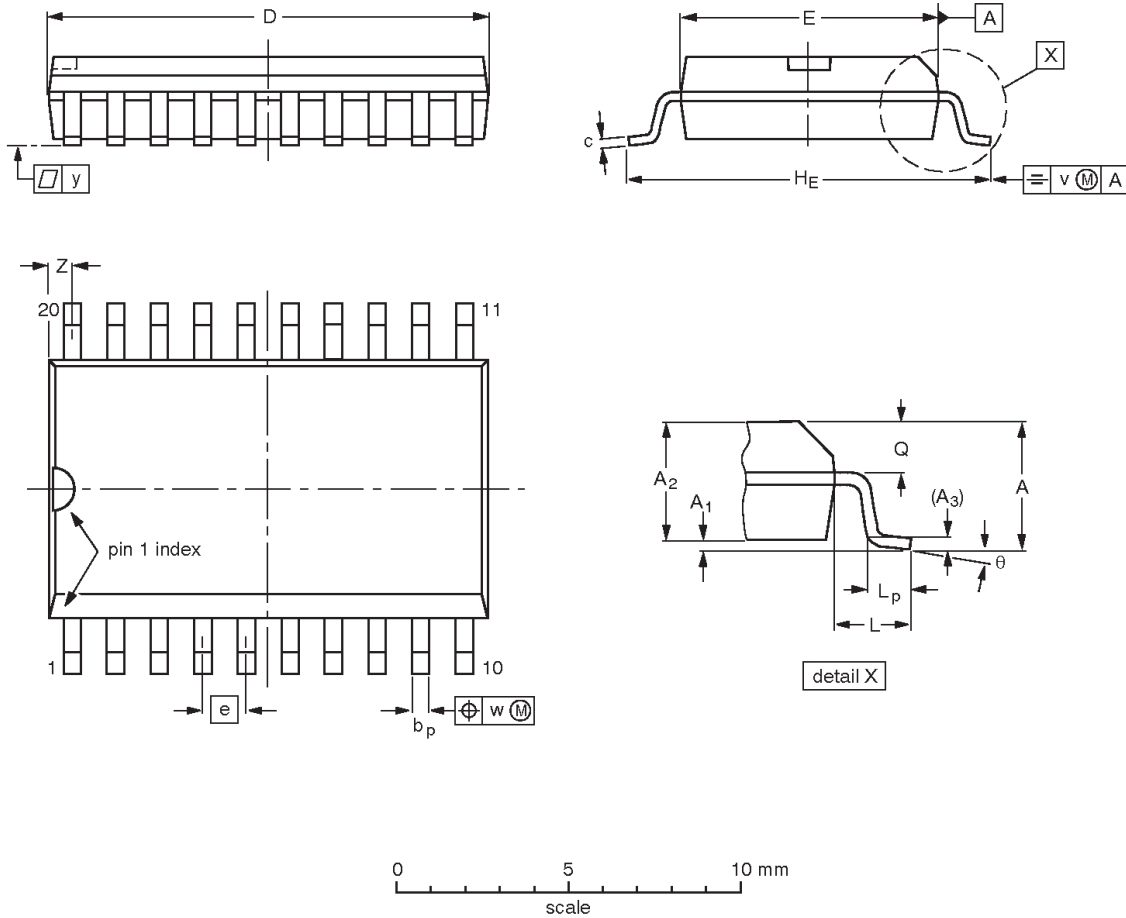
OUTLINE VERSION	REFERENCES				EUROPEAN PROJECTION	ISSUE DATE
	IEC	JEDEC	EIAJ			
SOT146-1			SC603			92-11-17 95-05-24

Transceivers

74F620, 74F623

SO20: plastic small outline package; 20 leads; body width 7.5 mm

SOT163-1



DIMENSIONS (inch dimensions are derived from the original mm dimensions)

UNIT	A max.	A <sub>1</sub>	A <sub>2</sub>	A <sub>3</sub>	b <sub>p</sub>	c	D <sup>(1)</sup>	E <sup>(1)</sup>	e	H <sub>E</sub>	L	L <sub>p</sub>	Q	v	w	y	z <sup>(1)</sup>	$\theta$
mm	2.65	0.30 0.10	2.45 2.25	0.25	0.49 0.36	0.32 0.23	13.0 12.6	7.6 7.4	1.27	10.65 10.00	1.4	1.1 0.4	1.1 1.0	0.25	0.25	0.1	0.9 0.4	8° 0°
inches	0.10	0.012 0.004	0.096 0.089	0.01	0.019 0.014	0.013 0.009	0.51 0.49	0.30 0.29	0.050	0.419 0.394	0.055	0.043 0.016	0.043 0.039	0.01	0.01	0.004	0.035 0.016	

Note

1. Plastic or metal protrusions of 0.15 mm maximum per side are not included.

OUTLINE VERSION	REFERENCES				EUROPEAN PROJECTION	ISSUE DATE
	IEC	JEDEC	EIAJ			
SOT163-1	075E04	MS-013AC				95-01-24 97-05-22

---

Transceivers

74F620, 74F623

---

**NOTES**

## Transceivers

74F620, 74F623

## Data sheet status

Data sheet status	Product status	Definition [1]
Objective specification	Development	This data sheet contains the design target or goal specifications for product development. Specification may change in any manner without notice.
Preliminary specification	Qualification	This data sheet contains preliminary data, and supplementary data will be published at a later date. Philips Semiconductors reserves the right to make changes at any time without notice in order to improve design and supply the best possible product.
Product specification	Production	This data sheet contains final specifications. Philips Semiconductors reserves the right to make changes at any time without notice in order to improve design and supply the best possible product.

[1] Please consult the most recently issued datasheet before initiating or completing a design.

## Definitions

**Short-form specification** — The data in a short-form specification is extracted from a full data sheet with the same type number and title. For detailed information see the relevant data sheet or data handbook.

**Limiting values definition** — Limiting values given are in accordance with the Absolute Maximum Rating System (IEC 134). Stress above one or more of the limiting values may cause permanent damage to the device. These are stress ratings only and operation of the device at these or at any other conditions above those given in the Characteristics sections of the specification is not implied. Exposure to limiting values for extended periods may affect device reliability.

**Application information** — Applications that are described herein for any of these products are for illustrative purposes only. Philips Semiconductors make no representation or warranty that such applications will be suitable for the specified use without further testing or modification.

## Disclaimers

**Life support** — These products are not designed for use in life support appliances, devices or systems where malfunction of these products can reasonably be expected to result in personal injury. Philips Semiconductors customers using or selling these products for use in such applications do so at their own risk and agree to fully indemnify Philips Semiconductors for any damages resulting from such application.

**Right to make changes** — Philips Semiconductors reserves the right to make changes, without notice, in the products, including circuits, standard cells, and/or software, described or contained herein in order to improve design and/or performance. Philips Semiconductors assumes no responsibility or liability for the use of any of these products, conveys no license or title under any patent, copyright, or mask work right to these products, and makes no representations or warranties that these products are free from patent, copyright, or mask work right infringement, unless otherwise specified.

Philips Semiconductors  
811 East Arques Avenue  
P.O. Box 3409  
Sunnyvale, California 94088-3409  
Telephone 800-234-7381

© Copyright Philips Electronics North America Corporation 1998  
All rights reserved. Printed in U.S.A.

print code

Date of release: 10-98

Document order number:

9397-750-05146

*Let's make things better.*