

SANYO

No.3256

LC7938C

a-Si Contact Type
Image Sensor-Use Driver

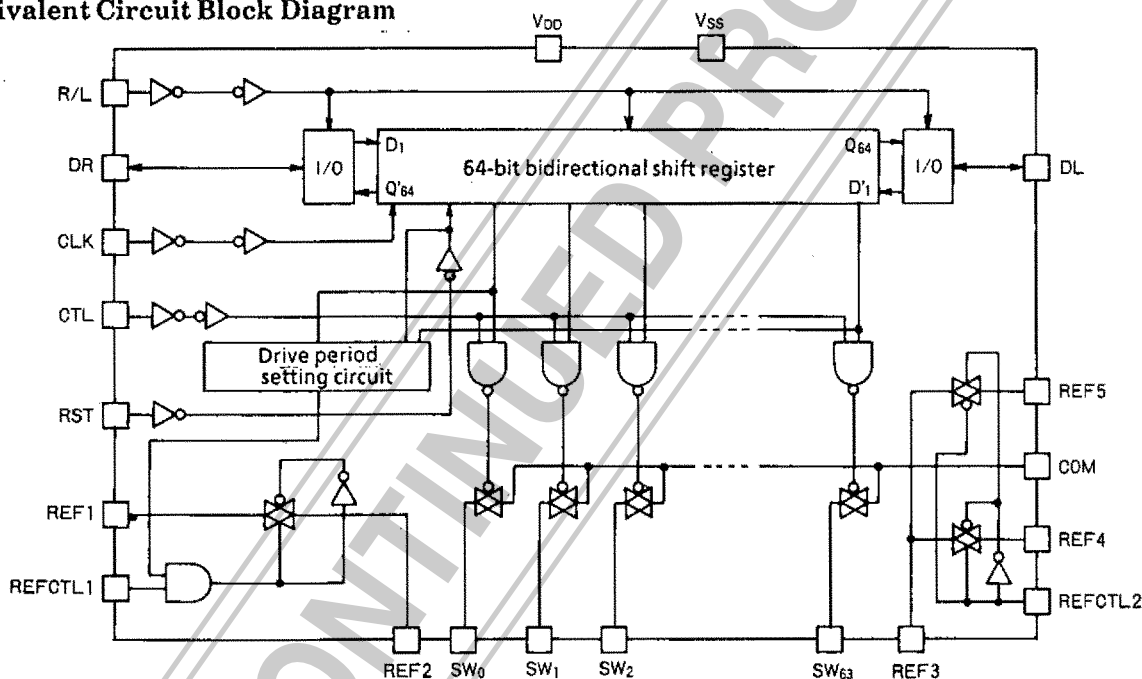
Features

- High-speed silicon gate CMOS device
- On-chip high-speed shiftable (5MHz max.) 64-bit bidirectional shift register, 64-bit sensor driver analog switch
- On-chip CTL signal (CTL) to turn OFF 64-bit sensor driver analog switch
- On-chip noise cancel analog switch

Package

Available in chip form, Chip size : 1.67mm×6.63mm, Number of pads : 80

Equivalent Circuit Block Diagram



Electrical Characteristics

The Electrical Characteristics shown below are for the LC7938C placed in our standard ceramic package.

Absolute Maximum Ratings at Ta=25°C

Parameter	Symbol	Conditions	Limits	unit
Maximum Supply Voltage	V _{CC} max		-0.3 to +7.0	V
Input Voltage	V _{IN}		-0.3 to V _{DD} + 0.3	V
Output Voltage	V _{OUT}		-0.3 to V _{DD} + 0.3	V
Operating Temperature	T _{opr}	(Junction temperature)	-25 to +85	°C
Storage Temperature	T _{stg}		-40 to +125	°C

Note) The die bond temperature and other parameters are listed in the common specification for quality assurance prepared separately.

SANYO Electric Co., Ltd. Semiconductor Business Headquarters
TOKYO OFFICE Tokyo Bldg., 1-10, 1 Chome, Ueno, Taito-ku, TOKYO, 110 JAPAN

LC7938C

Allowable Operating Conditions at Ta = 25 ± 2°C, VSS = 0V

Parameter	Symbol	Applicable Pad Name	Conditions	Limits			unit
				min	typ	max	
Supply Voltage	VDD			4.5	5.0	5.5	V
Input 'H'-Level Voltage	VIH	CLK,DR,DL, RST,R/L,CTR,		0.7VDD		VDD	V
Input 'L'-Level Voltage	VIL	REFCTL1, REFCTL2		0		0.3VDD	V
Operating Frequency	fCLK	CLK	Duty = 1/2 ± 10%			5.0	MHz
Clock Pulse Width	f _{φWH}	CLK		100			ns
Data Setup Time	t _{DS}	CLK,DR,DL		50			ns
Data Hold Time	t _{DH}			50			ns
Reset Pulse Width	f _{RW}	RST		125			ns
Reset OFF Time	t _{RS}	RST,CLK		125			ns
Maximum Clock Rise/Fall Time	t _r , t _f	CLK	Duty = 1/2 ± 10%			150	ns

Electrical Characteristics at Ta = 25 ± 2°C, VDD = 4.5 to 5.5V, VSS = 0V

Parameter	Symbol	Applicable Pad Name	Conditions	Limits			unit
				min	typ	max	
Output 'H'-Level Voltage	VOH	DR,DL	IOH = -0.3mA	VDD -0.3		VDD	V
Output 'L'-Level Voltage	VOL		IOL = 0.3mA	0		0.3	V
Analog SW ON Resistance	RON(1)	SW ₀ to SW ₆₃ to COM	COM = 0V, VDD = 5V, SW ₀ to SW ₆₃ = 0.2V		1.0		kΩ
	RON(2)		COM = 0.2V, VDD = 5V, SW ₀ to SW ₆₃ = 0V		1.0		kΩ
	RON(3)	REF1 to REF2	REF1 = 0V, VDD = 5V, REF2 = 0.2V		1.0		kΩ
	RON(4)		REF1 = 0.2V, VDD = 5V, REF2 = 0V		1.0		kΩ
	RON(5)	REF3 to REF4	REF3 = 0V, VDD = 5V, REF4 = 0.2V		200		Ω
	RON(6)		REF3 = 0.2V, VDD = 5V, REF4 = 0V		200		Ω
	RON(7)	REF3 to REF5	REF3 = 0V, VDD = 5V, REF5 = 0.2V		200		Ω
	RON(8)		REF3 = 0.2V, VDD = 5V, REF5 = 0V		200		Ω

Continued on next page.

Continued from preceding page.

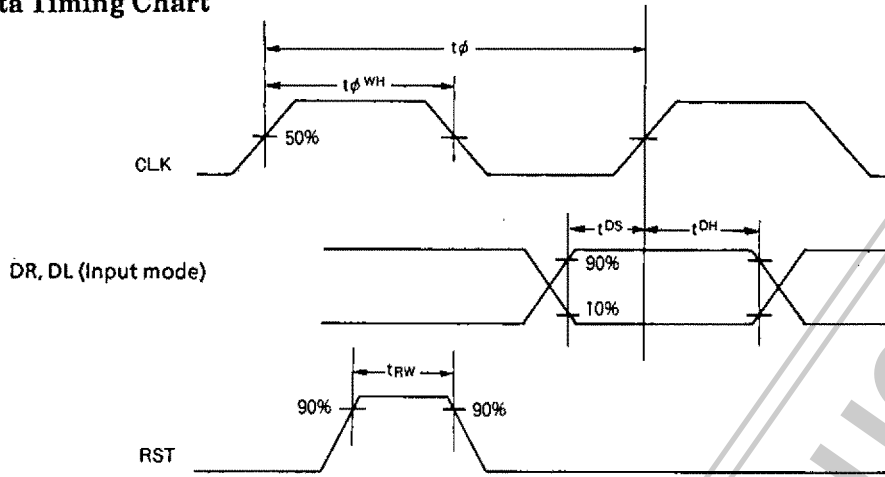
Parameter	Symbol	Applicable Pad Name	Conditions	Limits			unit
				min	typ	max	
Input/Output OFF Leakage Current	I _{OFF(1)}	SW ₀ to SW ₆₃ COM	Analog SW OFF, COM = 0V, SW ₀ to SW ₆₃ = V _{DD} , sum of individual pole leakage currents V _{DD} = 5V, T _a = 60°C			1.0	μA
	I _{OFF(2)}					1.0	μA
Input Capacitance	C1	SW ₀ to SW ₆₃			(1.5)		pF
	C2	COM				(150)	pF
Operating Current Dissipation	I _{DD}	V _{DD}	All outputs open, f = 1MHz			1	mA

() : "Design to" value

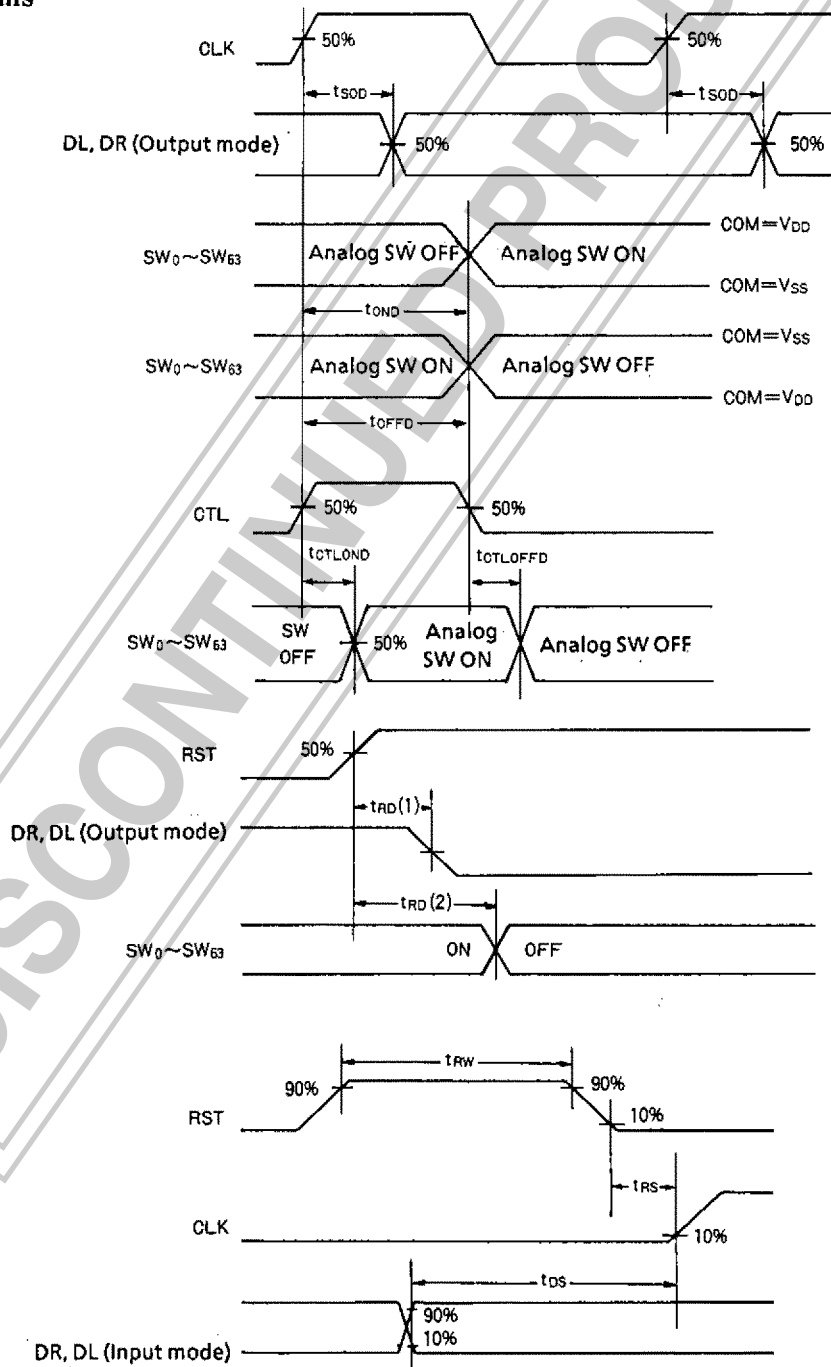
Switching Characteristics at T_a = 25 ± 2°C, V_{DD} = 4.5 to 5.5V, V_{SS} = 0V

Parameter	Symbol	Applicable Pad Name	Conditions	Limits			unit
				min	typ	max	
Analog SW Turn-ON Delay Time	t _{OND}	CLK → SW ₀ to SW ₆₃	CTL = V _{DD} , RST = V _{SS} ,			150	ns
Analog SW Turn-OFF Delay Time	t _{OFFD}	CLK → SW ₀ to SW ₆₃	C _L = 20pF, R _L = 1kΩ			150	ns
Data Output Delay Time	t _{SOD}	CLK → DR, DL	C _L = 20pF			200	ns
Reset Signal Delay Time	t _{RD(1)}	RST → DR, DL	C _L = 20pF			200	ns
	t _{RD(2)}	RST → SW ₀ to SW ₆₃	CTL = V _{DD} , C _L = 20pF, R _L = 1kΩ			200	ns
Control Signal Delay Time	t _{CTL-OND(1)}	CTL → SW ₀ to SW ₆₃	C _L = 20pF, R _L = 1kΩ			120	ns
	t _{CTL-OND(2)}	REFCTL1 → REF1 (REF2)				120	ns
	t _{CTL-OND(3)}	REFCTL2 → REF3 (REF4) (REF5)	C _L = 20pF, R _L = 200Ω			120	ns
	t _{CTL-OFFD(1)}	CTL → SW ₀ to SW ₆₃	C _L = 20pF, R _L = 1kΩ			120	ns
	t _{CTL-OFFD(2)}	REFCTL1 → REF1 (REF2)				120	ns
	t _{CTL-OFFD(3)}	REFCTL2 → REF3 (REF4) (REF5)	C _L = 20pF, R _L = 200Ω			120	ns
Maximum Clock Rise/Fall Time	t _r , t _f	CLK	Duty = 1/2 ± 10%	150			ns

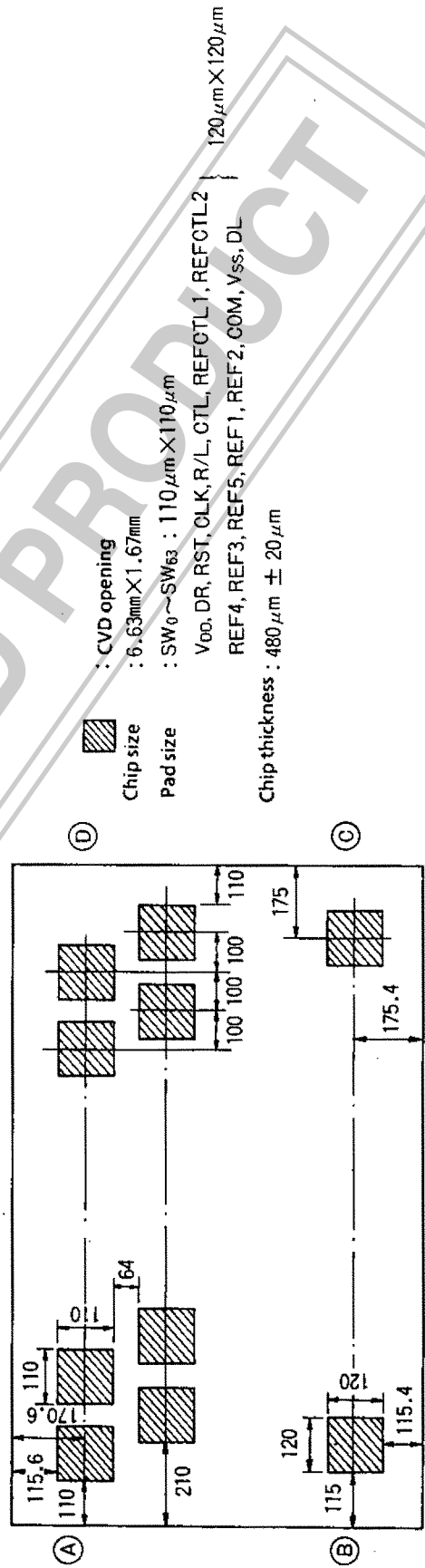
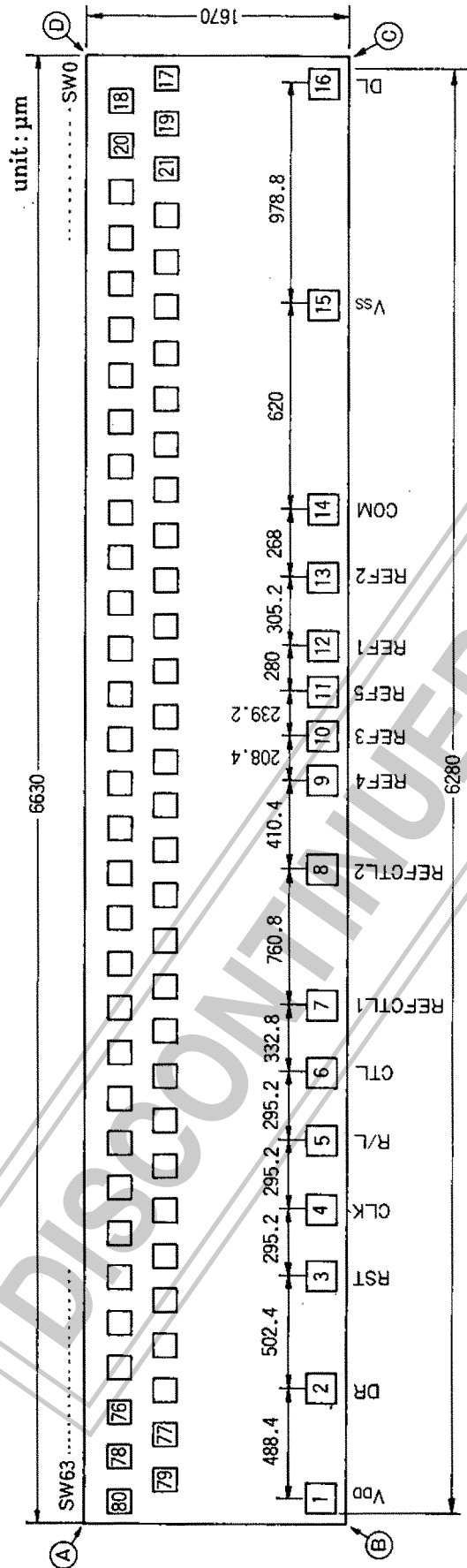
Input Data Timing Chart



Switching Waveforms



Pad Layout



LC7938C Pad Coordinates

Pad No.	Signal Name	X Coordinate μm	Y Coordinate μm	Pad No.	Signal Name	X Coordinate μm	Y Coordinate μm
1	VDD	-659.6	3140	41	SW39	490.4	-750
2	DR	-659.6	2651.6	42	38	664.4	-650
3	RST	-659.6	2149.2	43	37	490.4	-550
4	CLK	-659.6	1854	44	36	664.4	-450
5	R/L	-659.6	1558.8	45	35	490.4	-350
6	CTL	-659.6	1263.6	46	34	664.4	-250
7	REFCTL1	-659.6	930.8	47	33	490.4	-150
8	REFCTL2	-659.6	170	48	32	664.4	-50
9	REF4	-659.6	-240.4	49	31	490.4	50
10	REF3	-659.6	-448.8	50	30	664.4	150
11	REF5	-659.6	-688	51	29	490.4	250
12	REF1	-659.6	-968	52	28	664.4	350
13	REF2	-659.6	-1273.2	53	27	490.4	450
14	COM	-659.6	-1541.2	54	26	664.4	550
15	Vss	-659.6	-2161.2	55	25	490.4	650
16	DL	-659.6	-3140	56	24	664.4	750
17	SW63	490.4	-3150	57	23	490.4	850
18	62	664.4	-3050	58	22	664.4	950
19	61	490.4	-2950	59	21	490.4	1050
20	60	664.4	-2850	60	20	664.4	1150
21	59	490.4	-2750	61	19	490.4	1250
22	58	664.4	-2650	62	18	664.4	1350
23	57	490.4	-2550	63	17	490.4	1450
24	56	664.4	-2450	64	16	664.4	1550
25	55	490.4	-2350	65	15	490.4	1650
26	54	664.4	-2250	66	14	664.4	1750
27	53	490.4	-2150	67	13	490.4	1850
28	52	664.4	-2050	68	12	664.4	1950
29	51	490.4	-1950	69	11	490.4	2050
30	50	664.4	-1850	70	10	664.4	2150
31	49	490.4	-1750	71	9	490.4	2250
32	48	664.4	-1650	72	8	664.4	2350
33	47	490.4	-1550	73	7	490.4	2450
34	46	664.4	-1450	74	6	664.4	2550
35	45	490.4	-1350	75	5	490.4	2650
36	44	664.4	-1250	76	4	664.4	2750
37	43	490.4	-1150	77	3	490.4	2850
38	42	664.4	-1050	78	2	664.4	2950
39	41	490.4	-950	79	1	490.4	3050
40	40	664.4	-850	80	0	664.4	3150

■ No products described or contained herein are intended for use in surgical implants, life-support systems, aerospace equipment, nuclear power control systems, vehicles, disaster/crime-prevention equipment and the like, the failure of which may directly or indirectly cause injury, death or property loss.

■ Anyone purchasing any products described or contained herein for an above-mentioned use shall:

- ① Accept full responsibility and indemnify and defend SANYO ELECTRIC CO., LTD., its affiliates, subsidiaries and distributors and all their officers and employees, jointly and severally, against any and all claims and litigation and all damages, cost and expenses associated with such use;
- ② Not impose any responsibility for any fault or negligence which may be cited in any such claim or litigation on SANYO ELECTRIC CO., LTD., its affiliates, subsidiaries and distributors or any of their officers and employees jointly or severally.

■ Information (including circuit diagrams and circuit parameters) herein is for example only; it is not guaranteed for volume production. SANYO believes information herein is accurate and reliable, but no guarantees are made or implied regarding its use or any infringements of intellectual property rights or other rights of third parties.