

SANYO

No.1359B

LC7817

CMOS IC

2-Pole 4-Position Analog Function Switch

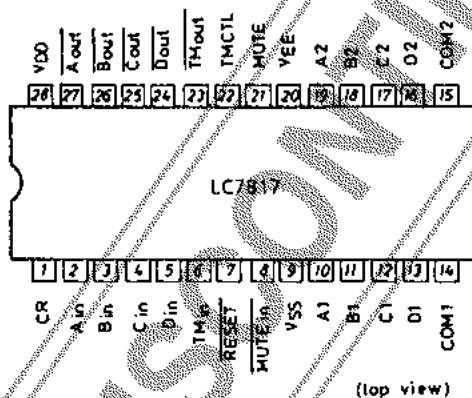
The LC7817 is a 2-pole 4-position analog function switch with 2 built-in CMOS analog switches (LC4066 type). A soft touch of a button enables switchover of the input signal source of an audio amplifier.

Applications

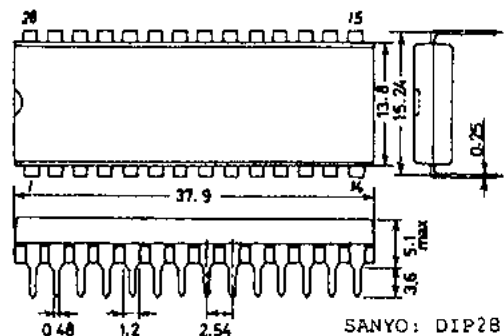
- Function switchover of amplifier, receiver, etc. (2 poles 4 positions)

Features

- Good distortion characteristic because of built-in analog switches of LC4066 type :
Distortion 0.01% max. / $V_i = 1V_{rms}$, $V_{DD} - V_{EE} = 15$ to $37V$
- Capable of outputting audio muting control signal to minimize noise to be generated at the time of switchover
- Built-in controller for tape monitor switchover (using LC4966 together)
- Built-in driver for LED which displays function mode, tape monitor mode
- Since control input can be operated from + supply alone when using dual supplies (+, -), interface with other circuits can be achieved easily.
- Since audio muting control signal can be triggered independently from external pin ($MUTE_{in}$), audio muting at the time of return from backup can be achieved easily.
- Control input pin ($RESET$) to be used for turning OFF all analog switches
- Backup can be performed easily because of CMOS structure. (Backup voltage : 3V min.)
- Operating Voltage : ± 18 /dual supplies
- Package : DIP-28

Pin Assignment

Case Outline 3012A-D281C
(unit: mm)



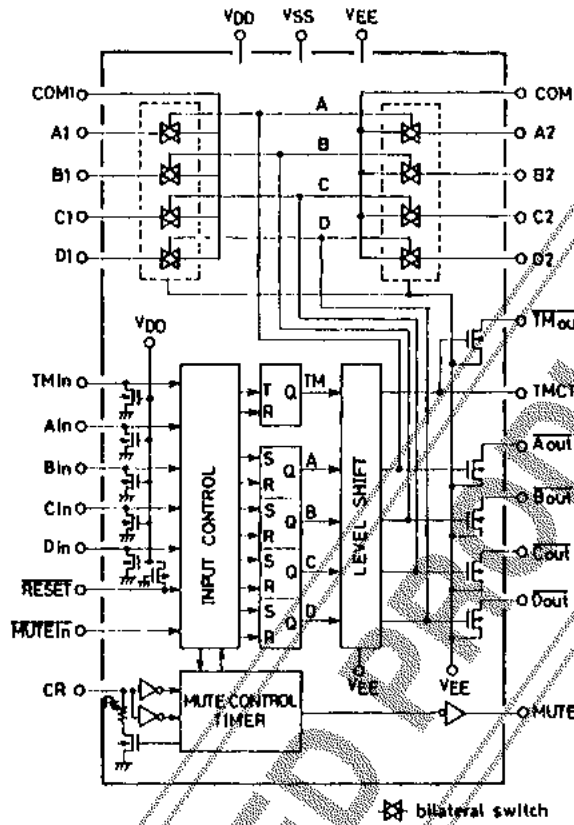
Specifications and information herein are subject to change without notice.

SANYO Electric Co., Ltd. Semiconductor Overseas Marketing Div.
Natsume Bldg., 18-6, 2-chome, Yushima, Bunkyo-ku, TOKYO 113 JAPAN

7118TA/7174KI/9233KI, MT No.1359-1/7

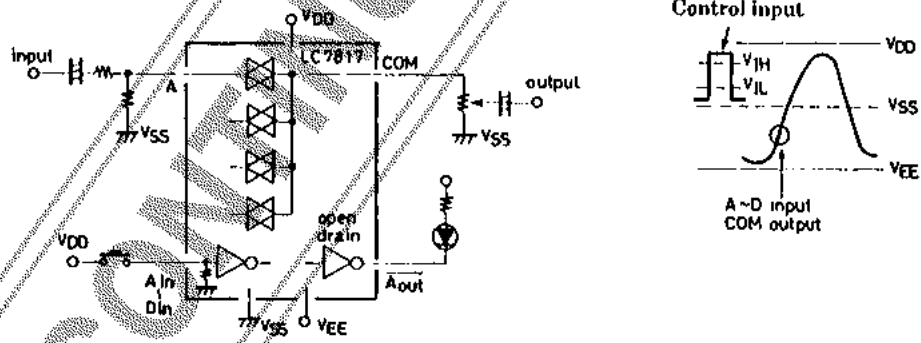
LC7817

Equivalent Circuit Block Diagram

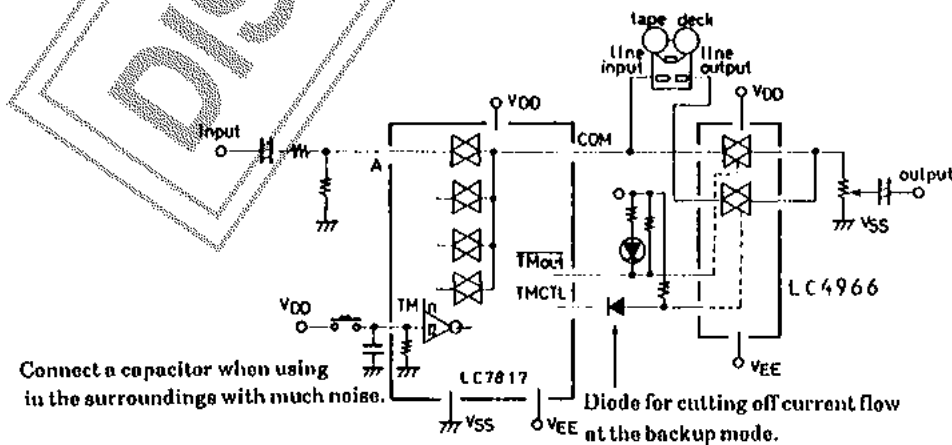


Sample Application Circuits

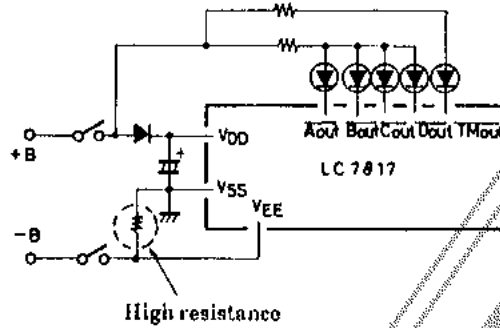
1. Dual-supply operation/without tape monitor function



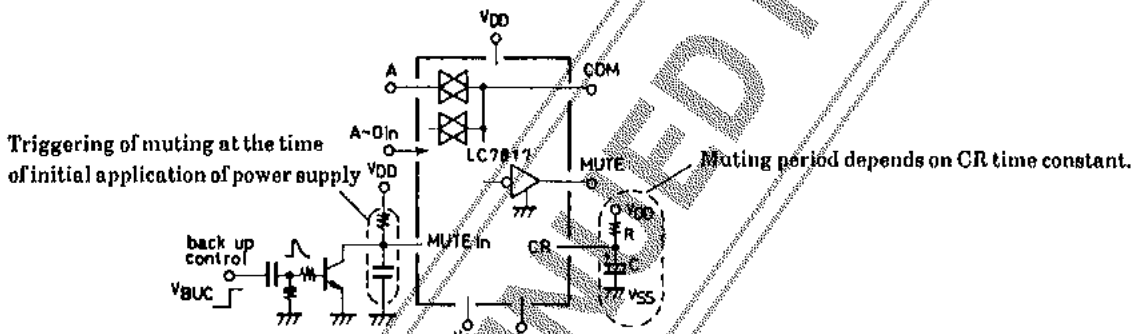
2. Dual-supply operation/with tape monitor function



3. Backup
Dual-supply operation



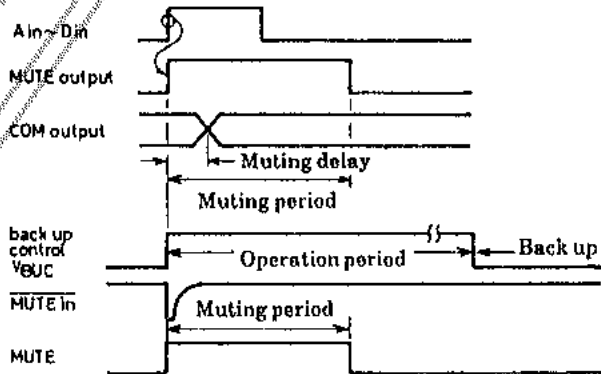
4. Muting



Triggering of muting at the time of initial application of power supply

Function switchover

Return from backup



DISCONTINUED PRODUCT

Pin Description

Pin Name	Pin No.	Input/Output	Pin Function																									
V _{DD} V _{SS} V _{EE}	28 9 20		<ul style="list-style-type: none"> Power supply pins Dual supplies (+ -): V_{SS} - GND, V_{EE} (-) V 																									
A _{in} , B _{in} C _{in} , D _{in}	2,3, 4,5		<ul style="list-style-type: none"> Specified input pins for tuning ON individual analog switches Priority order of simultaneous push (A_{in} > B_{in} > C_{in} > D_{in}) Prevention of malfunction attributable to pulse noise (Pulse width is discriminated by muting delay time.) 																									
A _{out} , B _{out} , C _{out} , D _{out}	27, 26, 25, 24		<ul style="list-style-type: none"> Output of driver for LED which displays ON state corresponding to individual analog switches N channel open drain (Source is connected to V_{EE}.) 																									
A1,B1, C1,D1, A2,B2, C2,D2 COM1 COM2	10,11, 12,13, 19,18, 17,16 14 15		<ul style="list-style-type: none"> A to D: Audio signal input pins COM: Audio signal output pins Signal inputs (A to D) conduct according to signal inputs (A_{in} to D_{in}) as follows: <table border="1" style="margin-left: auto; margin-right: auto;"> <thead> <tr> <th>COMn Output</th> <th>A_{in}</th> <th>B_{in}</th> <th>C_{in}</th> <th>D_{in}</th> </tr> </thead> <tbody> <tr> <td>Speci- fied</td> <td>1</td> <td>0</td> <td>0</td> <td>0</td> </tr> <tr> <td>Input</td> <td>※</td> <td>1</td> <td>0</td> <td>0</td> </tr> <tr> <td></td> <td>※</td> <td>※</td> <td>1</td> <td>0</td> </tr> <tr> <td></td> <td>※</td> <td>※</td> <td>※</td> <td>1</td> </tr> </tbody> </table> <p style="text-align: center;">※: Don't care</p>	COMn Output	A _{in}	B _{in}	C _{in}	D _{in}	Speci- fied	1	0	0	0	Input	※	1	0	0		※	※	1	0		※	※	※	1
COMn Output	A _{in}	B _{in}	C _{in}	D _{in}																								
Speci- fied	1	0	0	0																								
Input	※	1	0	0																								
	※	※	1	0																								
	※	※	※	1																								
TMin	6		<ul style="list-style-type: none"> Input pin for specifying tape monitor mode ON/OFF Rise of input signal is detected: monitor mode ON/OFF are inverted to monitor mode OFF/ON respectively. 																									
TMCTL	22		<ul style="list-style-type: none"> Output pin for controlling external analog switch (LC4966) for tape monitor Source of N channel transistor of complementary buffer output is connected to V_{EE}. 																									
TMout	23		<ul style="list-style-type: none"> Output pin for driver for LED which displays tape monitor state as well as external analog switch (LC4966) for tape monitor TMout is opposite in polarity to TMCTL. 																									
MUTE _{in}	8		<ul style="list-style-type: none"> Input pin for forcing audio muting control signal (MUTE) to be triggered externally If fixed at 'L' level, MUTE output becomes 'H' level. 																									
MUTE	21		<ul style="list-style-type: none"> Output pin for audio muting control signal Signal with pulse width to be determined by external constant at CR pin is output at the time of function switchover or MUTE_{in} input. 																									
CR	1		<ul style="list-style-type: none"> CR time constant pin for determining time interval of audio muting control signal Time lag (muting delay) between muting signal rise and analog switch switchover depends on C·R_s time constant at the time of transistor ON. 																									
RESET	7		<ul style="list-style-type: none"> Input pin for turning OFF all analog switches and resetting tape monitor flip-flop ('L' level active) 																									

LC7817

Absolute Maximum Ratings at Ta = 25°C

			unit
Maximum Supply Voltage	V _{DD} max	V _{SS} - 0.3 to V _{EE} + 40	V
	V _{EE} max	V _{DD} - 40 to V _{SS} + 0.3	V
Output Current	I _{OUT}	A _{out} , B _{out} , C _{out} , D _{out} , T _{Mout}	30 mA
Output Voltage	V _{OUT}	A _{out} , B _{out} , C _{out} , D _{out} , T _{Mout}	V _{EE} - 0.3 to V _{DD} + 0.3 V
Voltage Difference at Analog Switch ON	ΔV _{on}	Switch ON	0.5 V
Allowable Power Dissipation	P _d max	Ta ≤ 85°C	350 mW
Operating Temperature	T _{opg}		-40 to +85 °C
Storage Temperature	T _{stg}		-40 to +125 °C

Allowable Operating Conditions at Ta = -40 to +85°C

		Pin No.	Conditions	min	typ	max	unit
Supply Voltage	V _{DD} 1	V _{DD} (28)	V _{EE} ≤ V _{SS} - 4.5	V _{SS} + 4.5		V _{EE} + 37	V
	V _{EE}	V _{EE} (20)	V _{DD} ≥ V _{SS} + 4.5	V _{DD} - 37		V _{SS} - 4.5	V
	V _{DD} 2	V _{DD} (28)	Backup	V _{SS} + 3		V _{SS} + 18.5	V
'H'-Level Input Voltage	V _{IH} 1	A _{in} (2) to D _{in} (5), RESET (7), MUTE _{in} (8)	V _{EE} ≤ V _{SS}	0.75V _{DD}		V _{DD}	V
	V _{IH} 2	T _{Min} (6)		0.8V _{DD}		V _{DD}	V
'L'-Level Input Voltage	V _{IL} 1	A _{in} (2) to D _{in} (5), RESET (7), MUTE _{in} (8)		V _{SS}		0.25V _{DD}	V
	V _{IL} 2	T _{Min} (6)		V _{SS}		0.2V _{DD}	V
Analog Switch Input Voltage	V _{IN}	A1 (10) to D1 (13), A2 (19) to D2 (16)		V _{EE}		V _{DD}	V
External Capacitance for Muting Timer	C	CR (1)				10	μF
External Resistance for Muting Timer	R	CR (1)	V _{DD} - V _{SS} = 4.5V	40		100	kΩ
			14V > V _{DD} - V _{SS} ≤ 9V	80		300	kΩ
			18V > V _{DD} - V _{SS} ≤ 14V	90		300	kΩ
			37V > V _{DD} - V _{SS} ≤ 18V	100		300	kΩ
Input Receiving Pulse Width	T _{IN}	A _{in} (2) to D _{in} (5) T _{Min} (6)	V _{DD} = 9V, C = 3.3μF, R = 220kΩ	120			ms

Electrical Characteristics at Ta = 25 ± 2°C, V_{SS} = 0V

		Pin No.	Conditions	min	typ	max	unit
'H'-Level Output Voltage	V _{OH} 1	TMCTL (22)	I _{OH} = -0.1mA (V _{DD} = 4.5 to 37V)	0.8V _{DD}		V _{DD}	V
	V _{OH} 2	MUTE (21)	I _{OH} = -0.4mA, V _{DD} = 4.5V	V _{DD} - 1.5		V _{DD}	V
			I _{OH} = -0.4mA, V _{DD} = 9V	V _{DD} - 0.5		V _{DD}	V
'L'-Level Output Voltage	V _{OL} 1	TMCTL (22)	I _{OL} = 0.1mA	V _{EE}		0.2 × (V _{DD} - V _{EE})	V
	V _{OL} 2	MUTE (21)	I _{OL} = 0.4mA, V _{DD} = 4.5V	0		1.5	V
			I _{OL} = 0.4mA, V _{DD} ≥ 9V	0		0.5	V
	V _{OL} 3	A _{OUT} (27) to D _{OUT} (24)	I _{OL} = 7mA, V _{DD} - V _{EE} = 4.5V	V _{EE}		V _{EE} + 2	V
		T _{MOUT} (23)	I _{OL} = 30mA, V _{EE} - V _{EE} = 9V	V _{EE}		V _{EE} + 4	V
Analog Switch ON Resistance	R _{on}	A1 (10), B1 (11), C1 (12), D1 (13), COM1 (14), A2 (19), B2 (18), C2 (17), D2 (16), COM2 (15)	I = 1mA, V _{DD} - V _{EE} = 4.5V		400		Ω
			I = 1mA, V _{DD} - V _{EE} = 9V		120		Ω
			I = 1mA, V _{DD} - V _{EE} ≥ 18V		80		Ω

Continued on next page.

Continued from preceding page.

	Pin No.	Conditions	min	typ	max	unit
Input/Output OFF Leak Current	I_{OFF1} AOUT (27) to DOUT (24) TMOU (23)	Output transistor OFF $V_o = V_{EE} + 37V$			10	μA
	I_{OFF2} CR (1)	Output transistor OFF $V_o = V_{SS} + 18V$			3	μA
	I_{OFF3} A1 (10) to D1 (13), COM1 (14), A2 (19) to D2 (16), COM2 (15)	Analog switch OFF $V_{IN} = V_o = V_{EE}$ to $V_{EE} + 37V$	-10		10	μA
Total Harmonic Distortion	THD 1 COM1 (14), COM2 (15)	$V_{IN} = 1V_{rms}, f = 1kHz,$ $V_{DD} - V_{EE} = 15$ to $37V,$ refer to Fig.1.			0.01	%
	THD 2 COM1 (14), COM2 (15)	$V_{IN} = 0.1V_{rms}, f = 1kHz,$ $V_{DD} - V_{EE} = 4.5V,$ refer to Fig.1.			0.05	%
Feedthrough (Switch OFF)	FTH A1 (10) to →to COM1 (14) D1 (13) A2 (19) to →to COM2 (15) D2 (16)	$V_{DD} - V_{EE} = 37V, f = 10kHz,$ $V_{IN} = 0.77V_{rms},$ refer to Fig.2, $R_L = 47k\Omega$		55		dB
Crosstalk	CT A1 (10) to →to COM2 (15) D1 (13) A2 (19) to →to COM1 (14) D2 (16)	$V_{DD} - V_{EE} = 37V, f = 10kHz,$ $V_{IN} = 0.77V_{rms},$ refer to Fig.3, $R_L = 47k\Omega$		75		dB
Muting Time	TM 1 MUTE (21)	$V_{DD} = 9V,$ refer to Fig.4, $C = 3.3\mu F \pm 20\%,$ $R = 220k\Omega \pm 5\%$	350	580	1000	ms
	TM 2 MUTE (21)	$V_{DD} = 9V,$ $C = 3.3\mu F \pm 0\%,$ $R = 220k\Omega \pm 0\%$	450	580	800	ms
Switch Switchover Delay Time	T_{SWD} Ain (2) to Din (5) TMin (6)	$V_{DD} = 9V,$ refer to Fig.5, $C = 3.3\mu F, R = 220k\Omega$	30	50	120	ms
Supply Current	I_{DD1} VDD (28)	Operating, refer to Fig.6, $V_{DD} - V_{EE} = 37V$			1000	μA

Fig.1 Total harmonic distortion

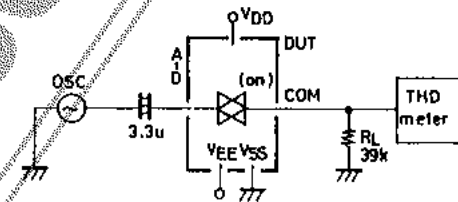
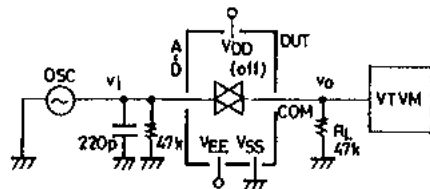


Fig.2 Feedthrough



$$FTH = 20 \log \frac{V_o}{V_i} \text{ (dB)}$$

$V_i = 770mV_{rms}$
 $V_{DD} - V_{EE} = 38V$

Fig.3 Crosstalk

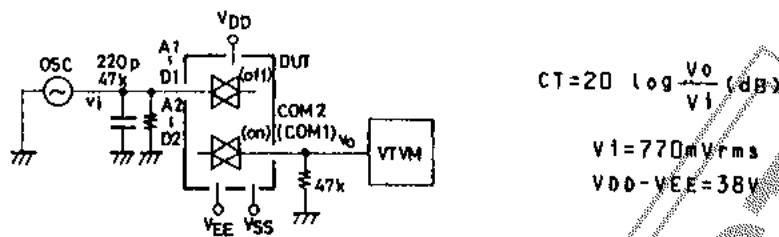


Fig.4 Muting period

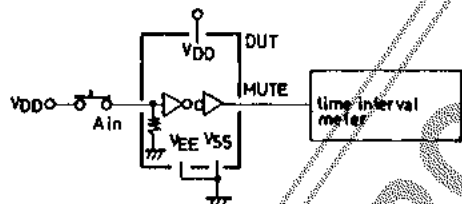


Fig.5 Switch switchover delay time

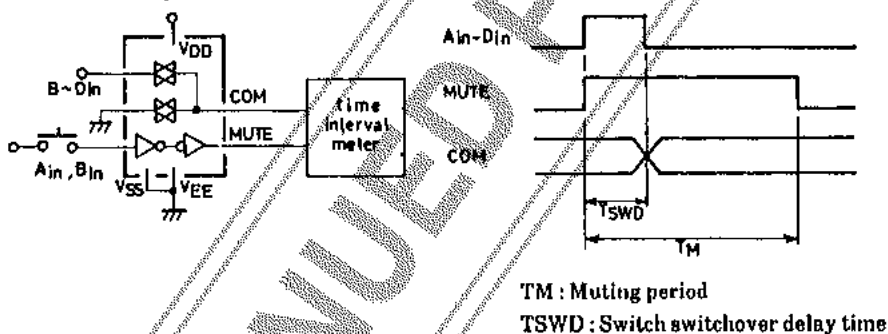
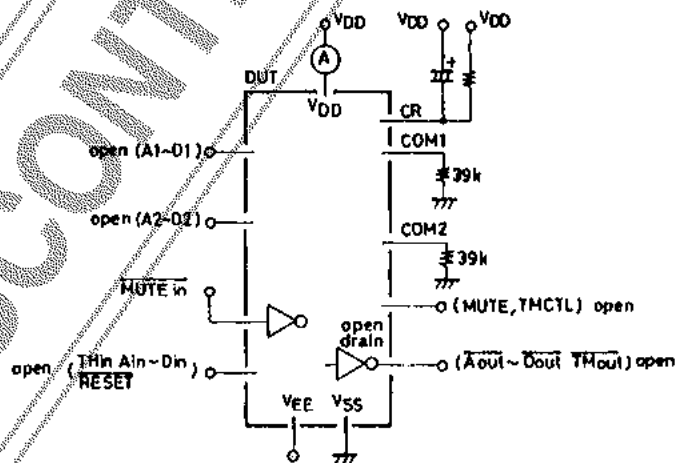


Fig.6 Supply current



The application circuit diagrams and circuit constants herein are included as an example and provide no guarantee for designing equipment to be mass-produced. The information herein is believed to be accurate and reliable. However, no responsibility is assumed by SANYO for its use; nor for any infringements of patents or other rights of third parties which may result from its use.