



# LC75822E, 75822W

## LCD Display Drivers



### Overview

The LC75822E and LC75822W are general-purpose LCD display drivers that can be used for frequency display in microprocessor-controlled radio receivers and in other display applications.

### Features

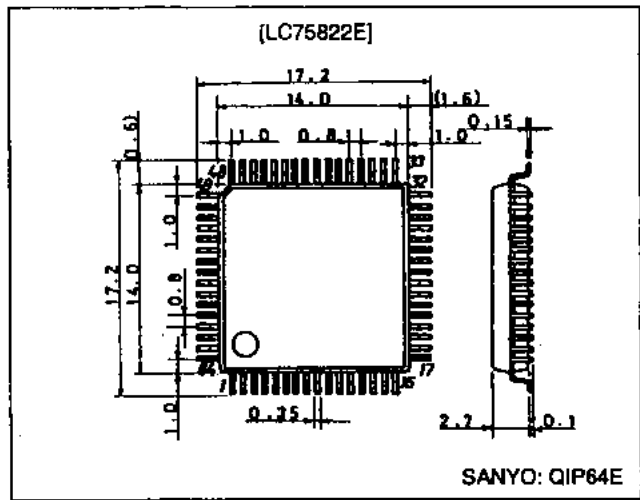
- 53 segment outputs (the maximum for static drive)
- Two drive types: static (1/1) duty (53 segments) and 1/2 duty (104 segments)
- Serial data input supports CCB\* format communication with the system controller
- INH pin for turning off all display output
- The LC75822 is a CCB version of the LC75821 product.

- CCB is a trademark of SANYO ELECTRIC CO., LTD.
- CCB is SANYO's original bus format and all the bus addresses are controlled by SANYO.

### Package Dimensions

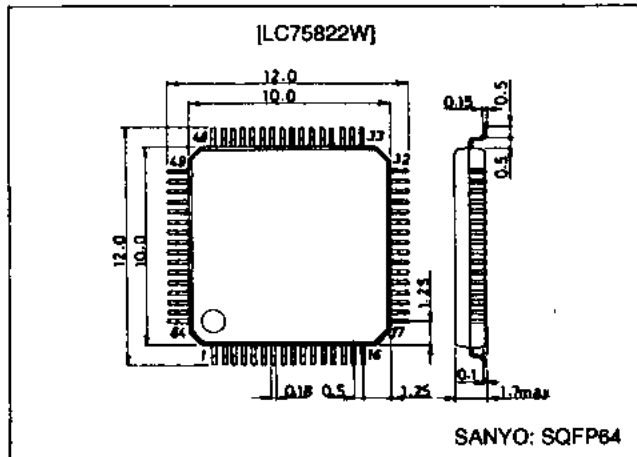
unit: mm

#### 3159-QFP64E



unit: mm

#### 3190-SQFP64



## Specifications

**Absolute Maximum Ratings at  $T_a = 25^\circ\text{C}$ ,  $V_{SS} = 0\text{ V}$**

Parameter	Symbol	Conditions	Ratings	Unit
Maximum supply voltage	$V_{DD\text{ max}}$	$V_{DD}$	-0.3 to +7.0	V
	$V_{LCD}$	$V_{LCD}$	-0.3 to $V_{DD} + 0.3$	V
Input voltage	$V_{IN1}$	CE, CL, DI, INH	-0.3 to +7.0	V
	$V_{IN2}$	OSC: output off	-0.3 to $V_{DD} + 0.3$	V
Output voltage	$V_{OUT}$	OSC: output off	-0.3 to $V_{DD} + 0.3$	V
Output current	$I_{OUT1}$	S1 to S53	100	$\mu\text{A}$
	$I_{OUT2}$	COM1, COM2	1.0	mA
Allowable power dissipation	$P_d\text{ max}$	$T_a = 85^\circ\text{C}$	100	mW
Operating temperature	$T_{opr}$		-40 to +85	$^\circ\text{C}$
Storage temperature	$T_{stg}$		-55 to +125	$^\circ\text{C}$

**Allowable Operating Ranges at  $T_a = -40$  to  $+85^\circ\text{C}$ ,  $V_{SS} = 0\text{ V}$**

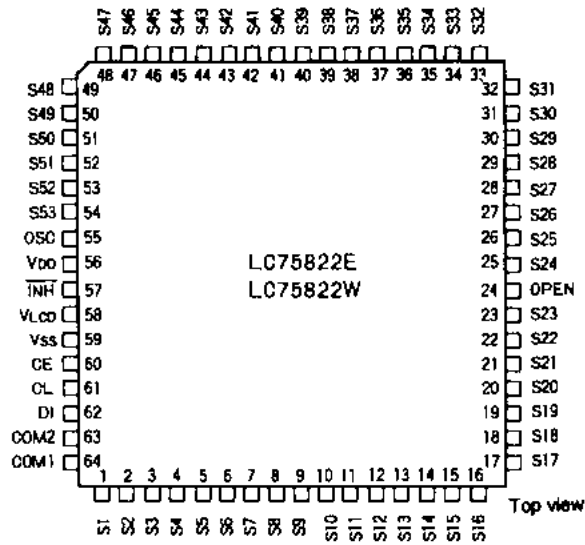
Parameter	Symbol	Conditions	min	typ	max	Unit
Supply voltage	$V_{DD}$	$V_{DD}$	3.0		6.5	V
	$V_{LCD}$	$V_{LCD}$	3.0		$V_{DD}$	V
Input high-level voltage	$V_{IH1}$	INH	$0.7 V_{DD}$		6.5	V
Input low-level voltage	$V_{IL1}$	INH	0		$0.3 V_{DD}$	V
Input high-level voltage	$V_{IH2}$	CE, CL, DI	$0.8 V_{DD}$		6.5	V
Input low-level voltage	$V_{IL2}$	CE, CL, DI	0		$0.2 V_{DD}$	V
Recommended external resistance	$R_{OSC}$	OSC		51		k $\Omega$
Recommended external capacitance	$C_{OSC}$	OSC		680		pF
Guaranteed oscillation range	$f_{OSC}$	OSC	25	50	100	kHz
Clock low-level pulse width	$t_{pL}$	CL	250			ns
Clock high-level pulse width	$t_{pH}$	CL	250			ns
Data setup time	$t_{ds}$	CL, DI	250			ns
Data hold time	$t_{dh}$	CL, DI	250			ns
CE wait time	$t_{cp}$	CE, CL	250			ns
CE setup time	$t_{cs}$	CE, CL	250			ns
CE hold time	$t_{ch}$	CE, CL	250			ns

## Electrical Characteristics for the Allowable Operating Ranges

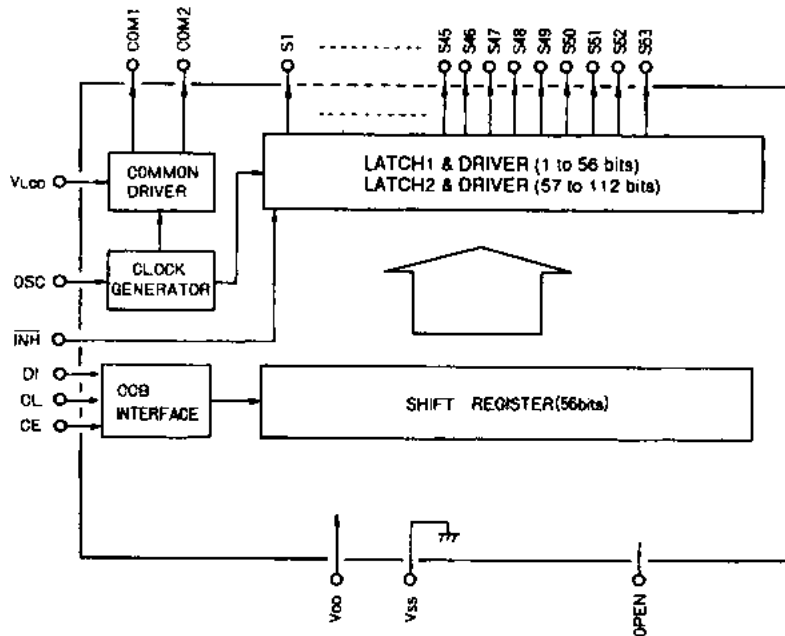
Parameter	Symbol	Conditions	min	typ	max	Unit
Input high-level current	$I_{IH}$	CE, CL, DI, INH: $V_I = 6.5\text{ V}$			5	$\mu\text{A}$
Input low-level current	$I_{IL}$	CE, CL, DI, INH: $V_I = 0\text{ V}$	-5			$\mu\text{A}$
Output high-level voltage	$V_{OH1}$	S1 to S53: $I_O = -10\ \mu\text{A}$	$V_{DD} - 1.0$			V
Output low-level voltage	$V_{OL1}$	S1 to S53: $I_O = 10\ \mu\text{A}$			1.0	V
Output high-level voltage	$V_{OH2}$	COM1, COM2: $I_O = -100\ \mu\text{A}$	$V_{LCD} - 0.6$			V
Output low-level voltage	$V_{OL2}$	COM1, COM2: $I_O = 100\ \mu\text{A}$			0.6	V
Mid-level voltage	$V_{MID1}$	COM1, COM2: $V_{LCD} = 6.5\text{ V}$ , $I_O = \pm 100\ \mu\text{A}$	2.65	3.25	3.85	V
	$V_{MID2}$	COM1, COM2: $V_{LCD} = 3.0\text{ V}$ , $I_O = \pm 100\ \mu\text{A}$	0.9	1.5	2.1	V
Oscillator frequency	$f_{OSC}$	OSC: $R = 51\text{ k}\Omega$ , $C = 680\text{ pF}$	40	50	60	kHz
Hysteresis voltage	$V_H$	CE, CL, DI: $V_{DD} = 5\text{ V}$	0.3			V
Current drain	$I_{DD}$				0.6	mA
	$I_{LCD}$	$V_{LCD}$			2	mA

# LC75822E, 75822W

## Pin Assignment



## Block Diagram

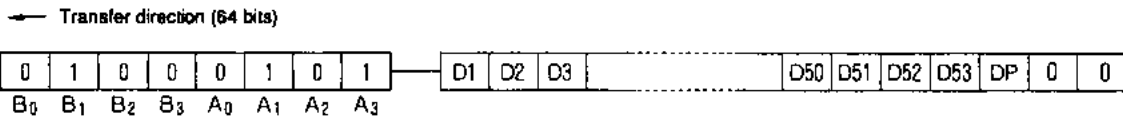


## Pin Functions

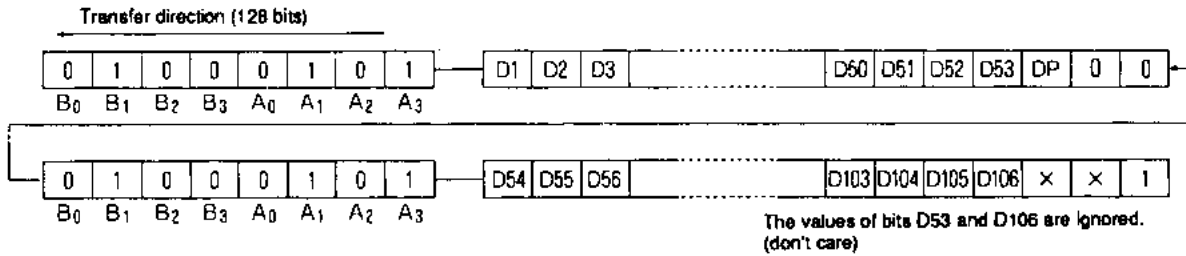
Pin	Function
S1 to S53	Segment output pins
COM1, COM2	Common output pins (Only COM1 is used in static (1/1) drive. COM2 must be left open in that mode.)
V <sub>LCD</sub>	LCD bias voltage setting
OSC	Oscillator connection
CE, CL, DI	Serial data transfer inputs
V <sub>SS</sub> , V <sub>DD</sub>	Power supply
INH	Display off control Input INH = low (V <sub>SS</sub> ) .....Display off (S1 to S53, COM1, COM2 = low) INH = high (V <sub>DD</sub> ) .....Display on Note that serial data transfers are still allowed when display output is turned off using this pin.
OPEN	Make no connections to this pin.

**Data Transfer Format**

1. Static (1/1) duty



2. 1/2 duty (Only 64 bits need to be transferred if there are no more than 52 display segments. The transfer format is identical to the static duty case. It is not possible to change the D54 to D106 data without specifying the D1 to D53 data.)



CCB address: A2<sub>H</sub>

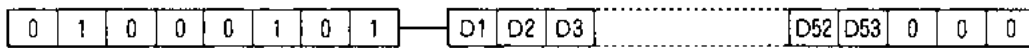
DP: Drive type selection bit  
 DP = 0: 1/1 duty  
 DP = 1: 1/2 duty

D1 to D106: Display data  
 D<sub>n</sub> (for n = 1 to 106) = 0: Segment off  
 D<sub>n</sub> (for n = 1 to 106) = 1: Segment on

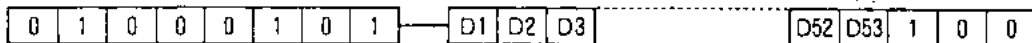
x: don't care

**Data Transfer Examples**

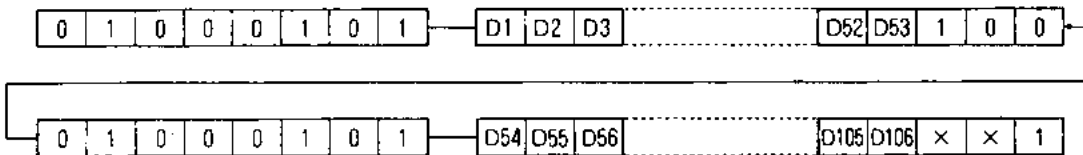
1. Static duty



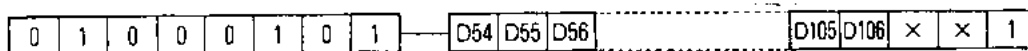
2. 1/2 duty with 52 or fewer segments



3. 1/2 duty with more than 52 segments

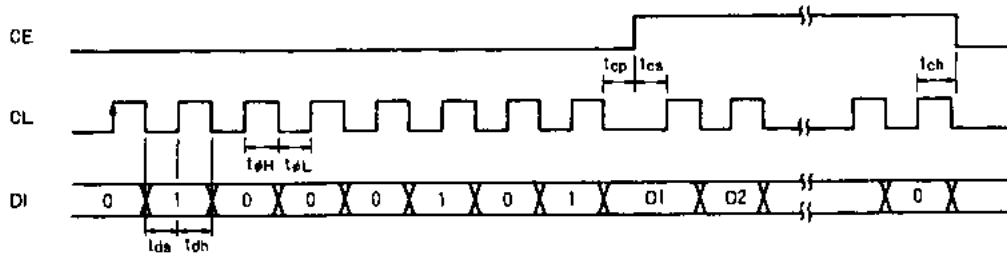


Note: The following transfer format is not allowed in 1/2 duty with 52 or fewer segments.

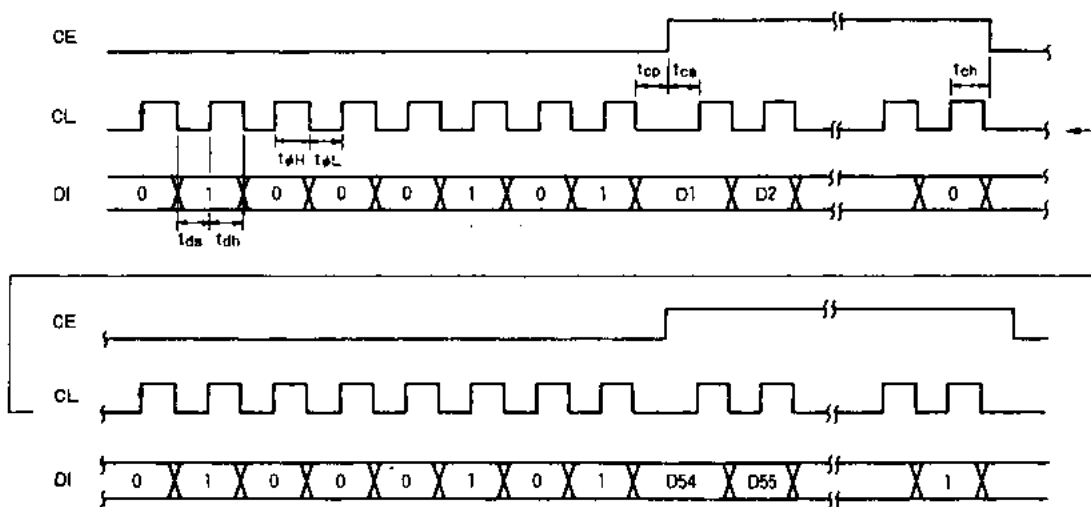


**Serial Data**

**1. Static duty (64 bits)**

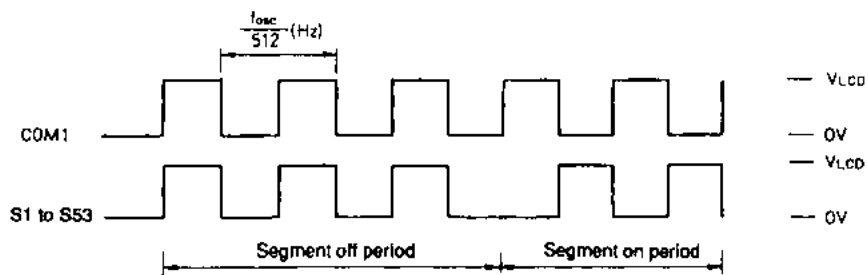


**2. 1/2 duty (128 bits)**

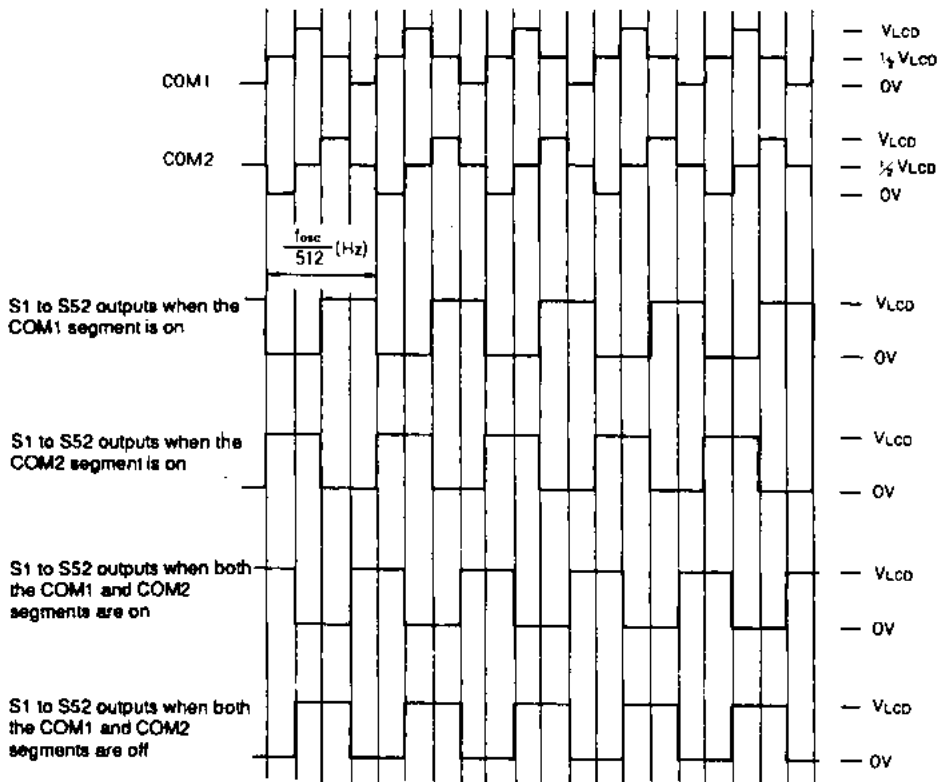


**Output Waveforms**

**1. Static duty**



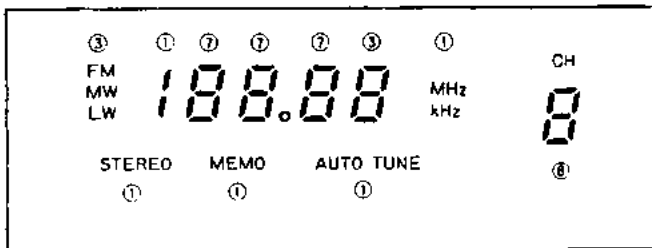
2. 1/2 duty



Display Examples

1. Static drive (1/1 duty)

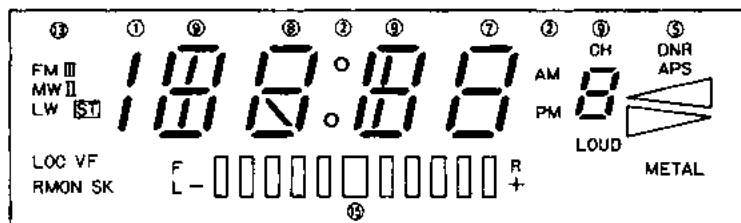
Example with 40 segments (Up to 53 segments can be driven.)



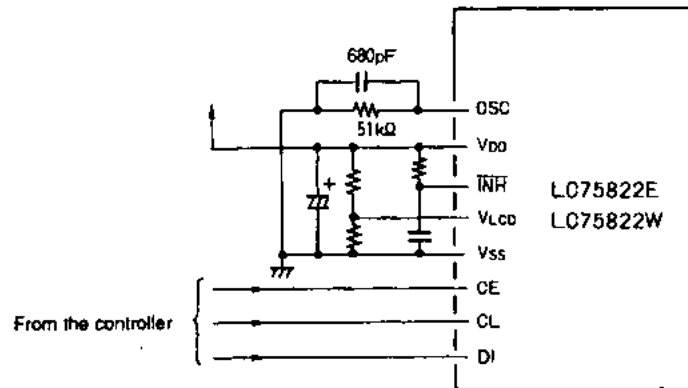
Note: Numbers in circles indicate the number of segments used.

2. 1/2 duty drive

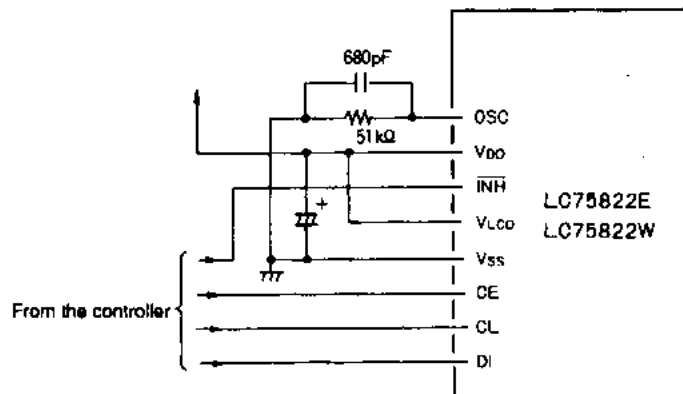
Example with 80 segments (Up to 104 segments can be driven.)



Sample Application Circuit 1



Sample Application Circuit 2



Note: The internal display data is undefined when power ( $V_{DD}$ ) is first applied. Since a meaningless pattern will be displayed if the display is turned on in that state, the display should be turned off by setting **INH** low and turned on only after display data has been sent from the controller.

Transfer (external Input) Data/Output Pin Correspondence

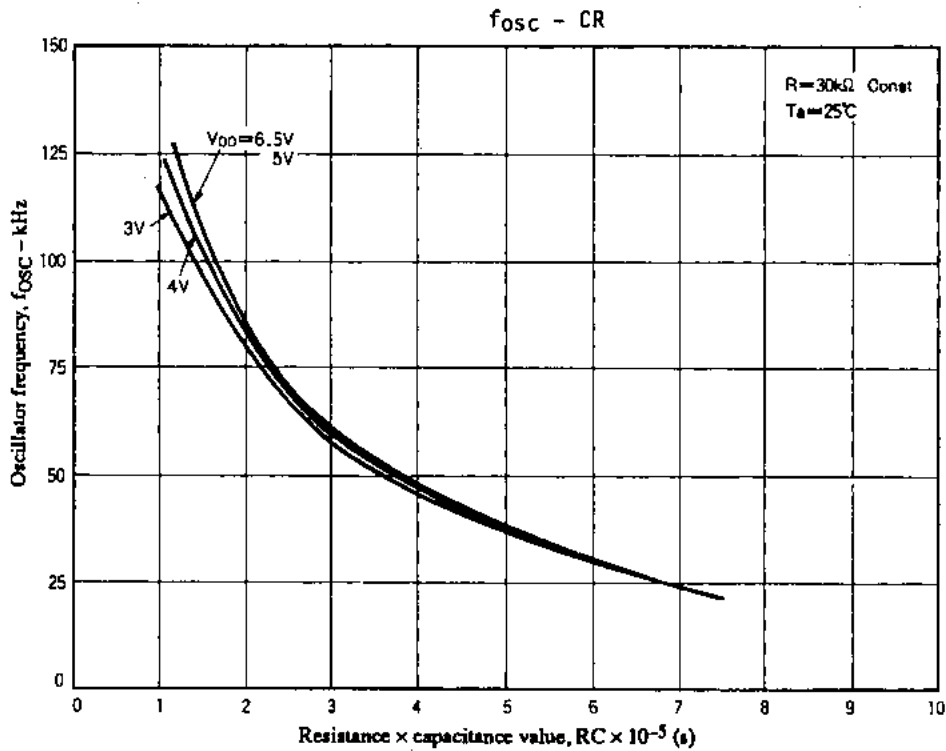
Output pin	DP	0	1	COM1	COM2
		1/1 duty	1/2 duty		
S1		D1	D1	○	
			D2		○
S2		D2	D3	○	
			D4		○
S3		D3	D5	○	
			D6		○
⋮	⋮	⋮	⋮	⋮	⋮
S26		D26	D51	○	
			D52		○
S27		D27	D54	○	
			D55		○
S28		D28	D56	○	
			D57		○
⋮	⋮	⋮	⋮	⋮	⋮
S43		D43	D86	○	
			D87		○
S44		D44	D88	○	
			D89		○
S45		D45	D90	○	
			D91		○
S46		D46	D92	○	
			D93		○
S47		D47	D94	○	
			D95		○
S48		D48	D96	○	
			D97		○
S49		D49	D98	○	
			D99		○
S50		D50	D100	○	
			D101		○
S51		D51	D102	○	
			D103		○
S52		D52	D104	○	
			D105		○
S53		D53	Always on	○	
			Always on		○

Note: Only COM1 is used in static (1/1 duty) drive.

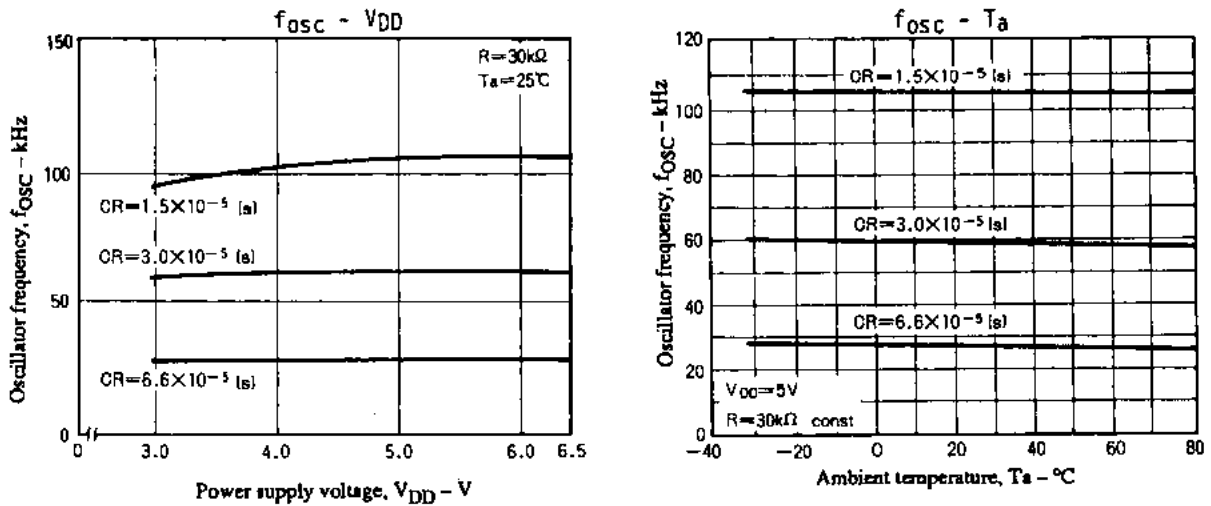


**Oscillator Frequency**

Refer to the figure below when determining the oscillator frequency.



**Figure 1 LC75822E, 75822W Oscillator Frequency vs. OSC Pin RC Constant**



**Figure 2 LC75822E, 75822W Oscillator Frequency vs.  $V_{DD}$**

Recommended range for external resistance: 10 to 100 k $\Omega$  (Carbon resistance)

Recommended range for external capacitance: 330 to 3300 pF

330 to 820 pF: (Ceramic capacitance with a zero temperature coefficient)

1000 to 3300 pF: (Mylar capacitance with a positive temperature coefficient)

- No products described or contained herein are intended for use in surgical implants, life-support systems, aerospace equipment, nuclear power control systems, vehicles, disaster/crime-prevention equipment and the like, the failure of which may directly or indirectly cause injury, death or property loss.
- Anyone purchasing any products described or contained herein for an above-mentioned use shall:
  - ① Accept full responsibility and indemnify and defend SANYO ELECTRIC CO., LTD., its affiliates, subsidiaries and distributors and all their officers and employees, jointly and severally, against any and all claims and litigation and all damages, cost and expenses associated with such use:
  - ② Not impose any responsibility for any fault or negligence which may be cited in any such claim or litigation on SANYO ELECTRIC CO., LTD., its affiliates, subsidiaries and distributors or any of their officers and employees jointly or severally.
- Information (including circuit diagrams and circuit parameters) herein is for example only; it is not guaranteed for volume production. SANYO believes information herein is accurate and reliable, but no guarantees are made or implied regarding its use or any infringements of intellectual property rights or other rights of third parties.

This catalog provides information as of February, 1997. Specifications and information herein are subject to change without notice.