

<b>SANYO</b>	No.2888A	<b>LC7365NM, 7366NM</b>
		DTMF Tone Generator for Pushbutton Telephone

The LC7365NM, 7366NM are DTMF tone generator LSIs for use in pushbutton telephones. The LC7365NM contains a keyboard scan circuit and the LC7366NM can direct accept the output from a microcomputer.

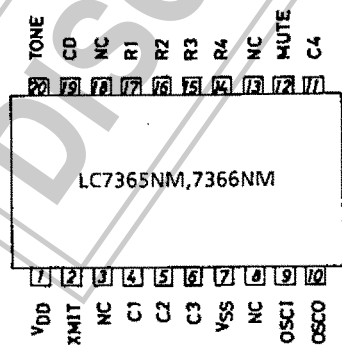
**Features**

- High-density miniflat package (MFP-20)
- Low voltage CMOS process for direct operation from telephone line
- The LC7365NM can interface directly to a single contact or standard 2-of-7, 2-of-8 key pad.
- The LC7366NM has an input configuration that facilitates interface to a microcomputer. (Positive logic input)
- Uses TV crystal standard (fosc = 3.58MHz) to derive all frequencies.
- On-chip feedback resistor and capacitors to form the OSC circuit
- Wide operating voltage range : 2.5 to 10.0V
- On-chip generation of a reference voltage to assure amplitude stability of the dual tones over the operating voltage and temperature range
- Low output tone distortion (7% max) over the whole supply voltage range (V<sub>DD</sub> = 2.5 to 10.0V)
- On-chip MUTE output and XMIT output
- Current dissipation at operating mode : I<sub>DD</sub> = 3mA max/V<sub>DD</sub> = 2.5V, 16mA max/V<sub>DD</sub> = 10V
- Current dissipation at standby mode : I<sub>DD</sub> = 0.3µA typ/V<sub>DD</sub> = 2.5V, 1µA typ/V<sub>DD</sub> = 10V

**Pin Assignment and Pin Connection**

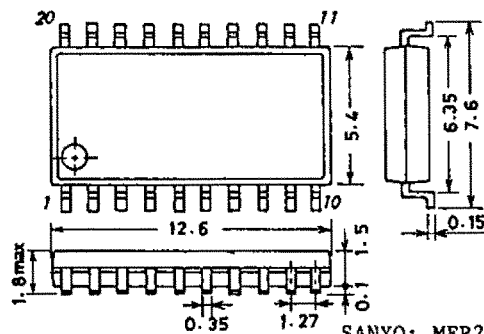
Pin No.	Pin Name	Input/Output		Pin No.	Pin Name	Input/Output	
		LC7365NM	LC7366NM			LC7365NM	LC7366NM
1	V <sub>DD</sub>	-	-	11	C4	I/O	I
2	XMIT	O	O	12	MUTE	O	O
4	C1	I/O	I	14	R4	I/O	I
5	C2	I/O	I	15	R3	I/O	I
6	C3	I/O	I	16	R2	I/O	I
7	V <sub>SS</sub>	-	-	17	R1	I/O	I
9	OSCI	I	I	19	CD	I	I
10	OSCO	O	O	20	TONE O	O	O

Pins 3,8,13,18 : NC pin



Top View

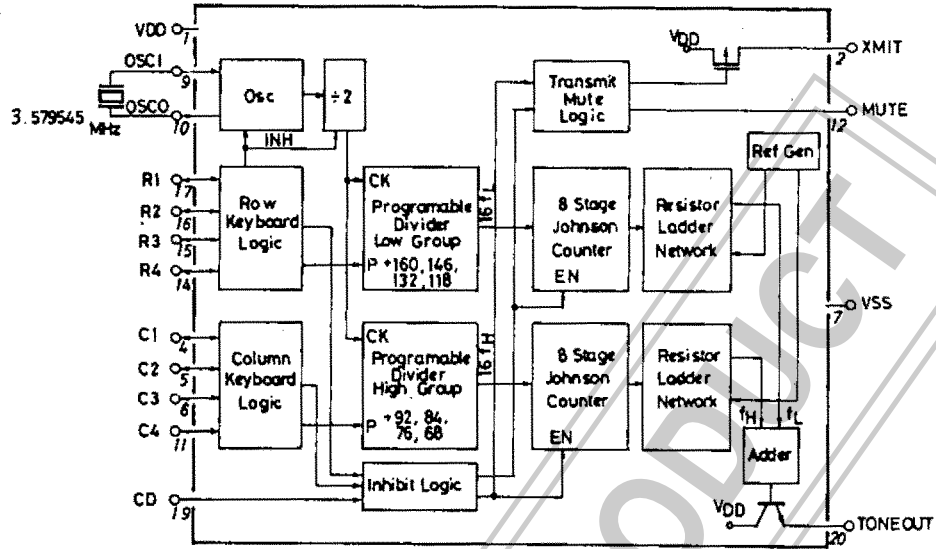
**Package Dimensions 3036B**  
(unit: mm)



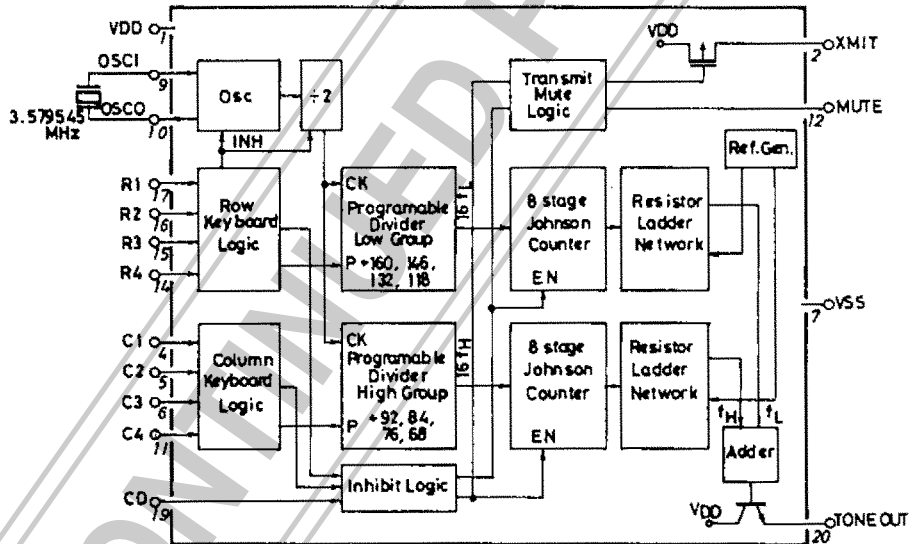
# LC7365NM,7366NM

## Equivalent Circuit Block Diagram

LC7365NM



LC7366NM

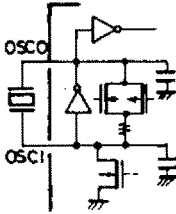
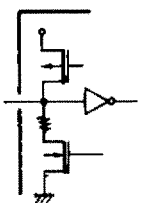
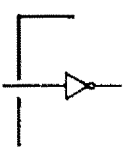
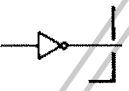

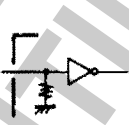



DISCONTINUED

## LC7365NM,7366NM

### Pin Functions

↓ Applicable to both Type Nos. when no Type No. is indicated.

Pin Name	Pin No.	Input/Output Configuration	Function
V <sub>DD</sub>	1		Power supply pin V <sub>DD</sub> = 2.5 to 10.0V
V <sub>SS</sub>	7		
OSCO	10		Reference frequency generation pin Uses a crystal resonator of 3.579545MHz. With the feedback resistor and capacitors contained to form the OSC circuit, a crystal resonator is simply connected across the pins.
OSCI	9		
LC7365NM R1 to R4 C1 to C4	17 to 14 4 to 6 11		Row and column input pin High-active input Contains a P-channel transistor for keyboard scan and an N-channel transistor for pull-down.
LC7366NM R1 to R4 C1 to C4	17 to 14 4 to 6 11		Row and column input pin High-active input
MUTE	12		'L' level with no key input 'H' level with key input CMOS complementary output
XMIT	2		'L' level with no key input High impedance with key input P-channel open drain output
CD	19		Chip disable pin When set to 'H' level, the row input/column input are brought to high impedance state, OSC stops, tone output becomes 'V <sub>SS</sub> ' level, MUTE output becomes 'L' level, and XMIT output becomes 'H' level.
TONE	20		DTMF signal output pin npn transistor-used emitter-follower output

### Absolute Maximum Ratings at Ta = 25°C

Maximum Supply Voltage	V <sub>DD</sub> max	-0.3 to +10.5	V
Maximum Input Voltage	V <sub>I</sub> max	V <sub>SS</sub> - 0.3 ≤ V <sub>IN</sub> ≤ V <sub>DD</sub> + 0.3	V
XMIT Pin Load Resistance	R <sub>X</sub>	1.0 min.	kΩ
MUTE Pin Load Resistance	R <sub>M</sub>	3.3 min.	kΩ
Tone Pin Maximum Load Resistance	R <sub>T</sub>	240 min.	Ω
Allowable Power Dissipation	P <sub>d</sub> max	Ta = 70°C	255 mW
Operating Temperature	T <sub>opr</sub>	-30 to +70	°C
Storage Temperature	T <sub>stg</sub>	-40 to +125	°C

LC7365NM,7366NM

Allowable Operating Conditions at Ta = -30 to +70°C							unit
Supply Voltage	V <sub>DD</sub>	Tone output mode	2.5 to 10.0				V
		Non-tone output mode	1.6 to 10.0				V
Input 'H'-Level Voltage	V <sub>IH</sub>	R1 to R4, CD, C1 to C4	0.7V <sub>DD</sub> to V <sub>DD</sub>				V
Input 'L'-Level Voltage	V <sub>IL</sub>	R1 to R4, CD, C1 to C4	V <sub>SS</sub> to 0.3V <sub>SS</sub>				V
Key Contact Resistance						1	kΩ
Crystal Resonator Spec.	f		3.579545MHz ± 0.02%				
	R <sub>s</sub>		up to 100				Ω
Electrical Characteristics at Ta = 25°C							unit
			V <sub>CC</sub>	min	typ	max	
Supply Voltage	V <sub>DD</sub>	Tone output mode		2.5		10	V
		Non-tone output mode		1.6		10	V
Current Dissipation	I <sub>DD</sub>	Non-tone output mode; V <sub>DD</sub>	2.5	0.3		30	μA
		Non-tone output mode; V <sub>DD</sub>	10	1.0		100	μA
		Tone output mode; V <sub>DD</sub>	2.5	1.5		3	mA
		Tone output mode; V <sub>DD</sub>	10	8		16	mA
Single Tone Output Voltage	V <sub>OR</sub>	Row tone, R <sub>L</sub> = 390Ω; TONE OUT	2.5	160	200	250	mV <sub>rms</sub>
		Row tone, R <sub>L</sub> = 390Ω; TONE OUT	5	170	220	280	mV <sub>rms</sub>
		Row tone, R <sub>L</sub> = 240Ω; TONE OUT	10	170	220	280	mV <sub>rms</sub>
Ratio of Column to Row Tone	dB <sub>CR</sub>		2.5 to 10	1	2	3	dB
Total Harmonic Distortion	THD	f <sub>out</sub> = 0.5 to 3.5kHz, R <sub>L</sub> = 10kΩ	2.5 to 10			7	%
XMIT Output Voltage	V <sub>OH1</sub>	I <sub>OH</sub> = 5mA; XMIT	2.5	1.5	1.8		V
		I <sub>OH</sub> = 10mA; XMIT	10	8.5	8.8		V
XMIT Leakage Current	I <sub>OF</sub>	; XMIT	10			100	μA
MUTE Output Voltage	V <sub>OL</sub>	Output open; MUTE	2.5		0	0.5	V
		Output open; MUTE	10		0	0.5	V
	V <sub>OH2</sub>	Output open; MUTE	2.5	2.25	2.5		V
		Output open; MUTE	10	9.5	10.0		V
MUTE Output Current	I <sub>OL1</sub>	V <sub>OL</sub> = 0.5V; MUTE	2.5	0.4			mA
		V <sub>OL</sub> = 0.5V; MUTE	10	2.0			mA
	I <sub>OH2</sub>	V <sub>OH</sub> = 2.0V; MUTE	2.5	0.17			mA
		V <sub>OH</sub> = 9.5V; MUTE	10	0.57			mA
OSC Output Current	I <sub>OL2</sub>	V <sub>OL</sub> = 0.5V; OSCO	2.5	0.18			mA
		V <sub>OL</sub> = 0.5V; OSCO	10	0.8			mA
	I <sub>OH3</sub>	V <sub>OH</sub> = 2.0V; OSCO	2.5	0.13			mA
		V <sub>OH</sub> = 9.5V; OSCO	10	0.42			mA
OSC Start Voltage	t <sub>st</sub>		2.5			5	ms
			10			4	ms
Input/Output Capacitance	C <sub>I/O</sub>	; OSC1, OSCO	2.5			16	pF
		; OSC1, OSCO	10			14	pF
Column/Row Input Current	I <sub>IHOF</sub>	V <sub>IH</sub> = 2.5V; [R1 to R4,	2.5			1	μA
		V <sub>IH</sub> = 10V; [C1 to C4,	10			2	μA
	I <sub>ILOF</sub>	V <sub>OH</sub> = 2V; [LC7366NM alone]	2.5			1	μA
		V <sub>OH</sub> = 9.5V;	10			2	μA
Key Pin Current	I <sub>IH1</sub>	V <sub>IH</sub> = 2.5V; [R1 to R4,	2.5	4			μA
		V <sub>IH</sub> = 10V; [C1 to C4,	10	9.2			μA
	I <sub>OH4</sub>	V <sub>OH</sub> = 2V; [LC7365NM alone]	2.5	70			μA
		V <sub>OH</sub> = 9.5V;	10	280			μA
CD Pin Input Current	I <sub>IH2</sub>	V <sub>IH</sub> = 2.5V; CD	2.5	2.5			μA
		V <sub>IH</sub> = 10V; CD	10	55			μA
OSC Frequency	f <sub>osc</sub>	; OSC1, OSCO	2.5 to 10	3.579545MHz ± 0.26%			

**Comparison between Tone Output Frequency and DTMF Signal Spec.**

Input Pin	Output Frequency [Hz]		Error [%]
	Spec.	LC7365NM,7366NM Output	
R1	697	699.1	+0.30
R2	770	766.2	-0.49
R3	852	847.4	-0.54
R4	941	948.0	+0.74
C1	1209	1215.9	+0.57
C2	1336	1331.7	-0.32
C3	1477	1471.9	-0.35
C4	1633	1645.0	+0.73

(Note) OSC drift:0

**Relation between Input and DTMF Signal**

Desired DTMF Signal	Input							
	R1	R2	R3	R4	C1	C2	C3	C4
1	1	0	0	0	1	0	0	0
2	1	0	0	0	0	1	0	0
3	1	0	0	0	0	0	1	0
4	0	1	0	0	1	0	0	0
5	0	1	0	0	0	1	0	0
6	0	1	0	0	0	0	1	0
7	0	0	1	0	1	0	0	0
8	0	0	1	0	0	1	0	0
9	0	0	1	0	0	0	1	0
0	0	0	0	1	0	1	0	0
*	0	0	0	1	1	0	0	0
#	0	0	0	1	0	0	1	0
A	1	0	0	0	0	0	0	1
B	0	1	0	0	0	0	0	1
C	0	0	1	0	0	0	0	1
D	0	0	0	1	0	0	0	1

**How to Output a Single Tone**

Select a row (or column) input according to your desired tone output frequency (set to '1' level) and two or more column (or row) inputs in that row (or column).

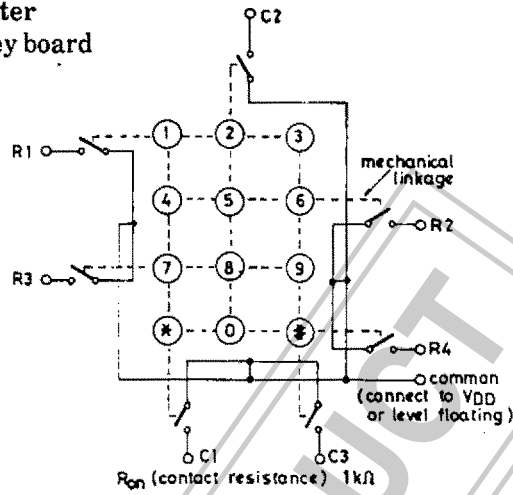
When two or more row (or column) inputs are selected, output of that row (or column) tone is inhibited.

It should be noted that when all of four inputs in any row are set to '1' level a signal 16 times the corresponding column tone is output at the MUTE pin.

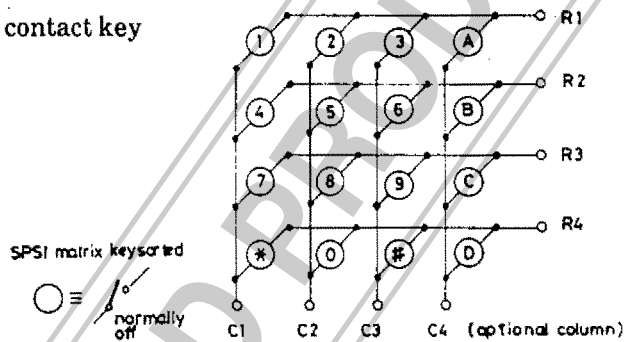
# LC7365NM,7366NM

## Sample Connections to Key Board, Microcomputer

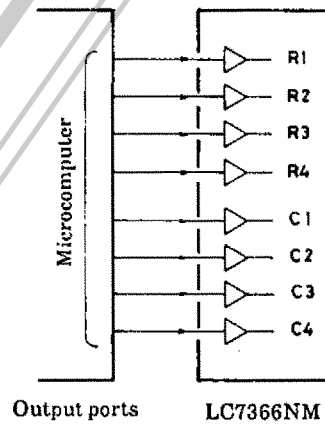
(1) Connection of LC7365NM to standard 2-of-7 key board



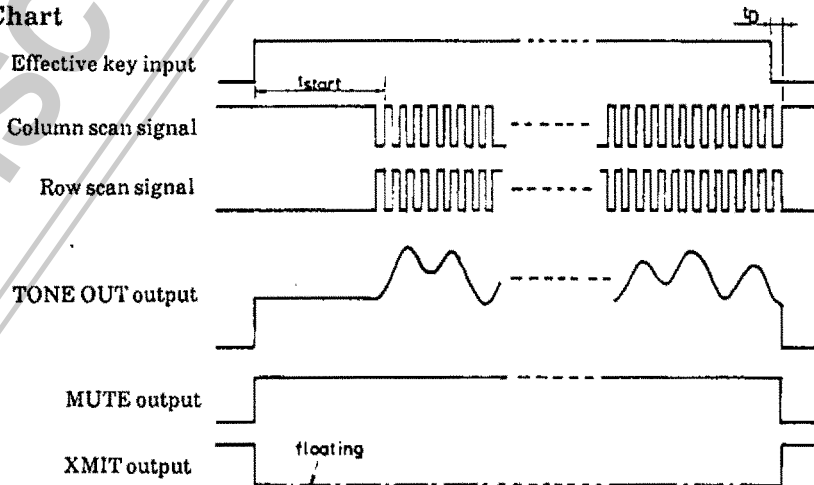
(2) Connection of LC7365NM to single contact key



(3) Connection of LC7366NM to microcomputer



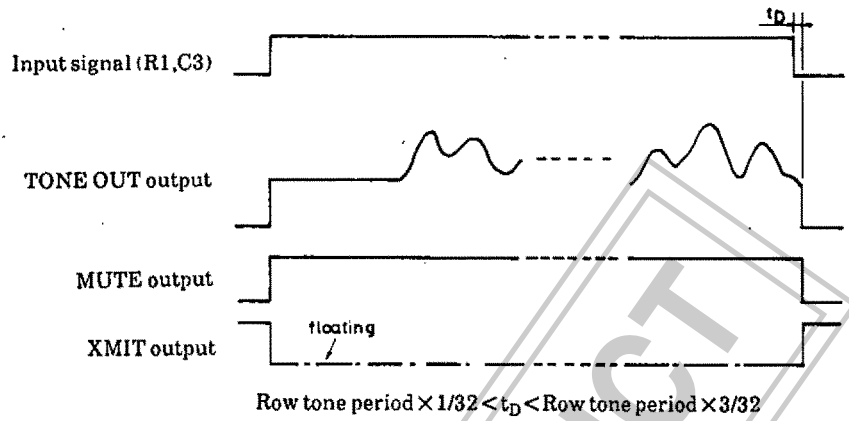
## LC7365NM Timing Chart



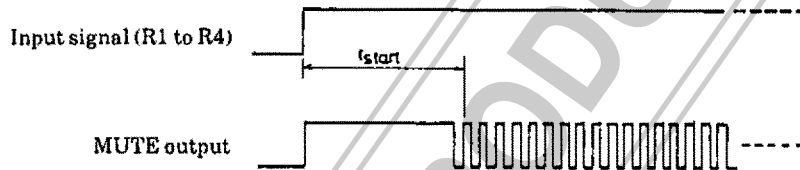
$$\text{Scan period} \times 1/4 < t_D < \text{Scan period} \times 3/4$$

# LC7365NM,7366NM

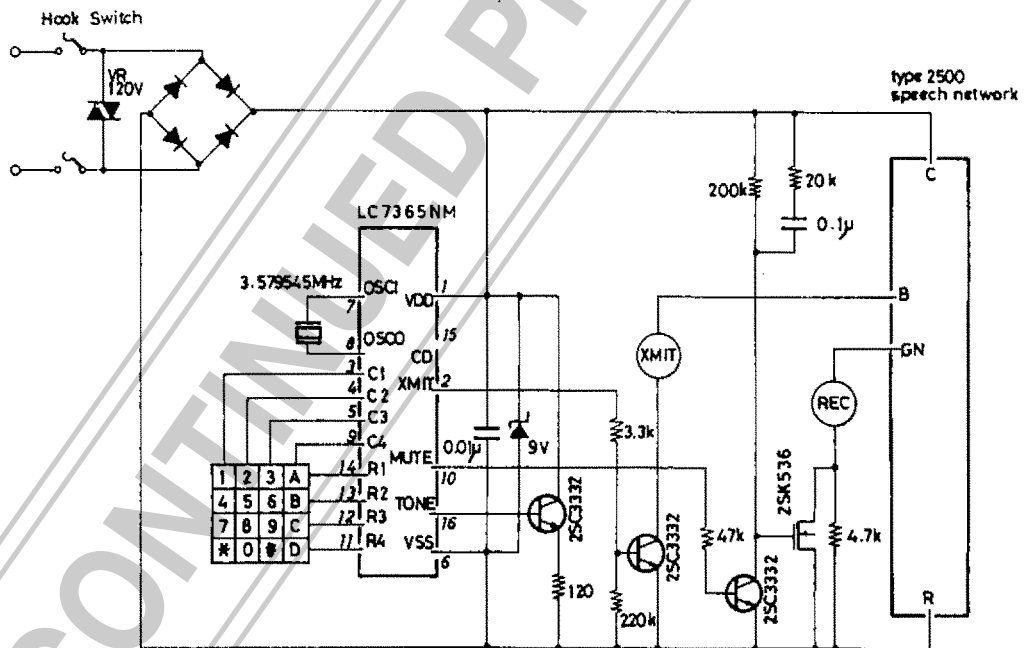
## LC7366NM Timing Chart



## LC7366NM $t_{start}$ Timing Chart



## Sample Application Circuit of LC7365NM



Unit (resistance :  $\Omega$ , capacitance : F)

- No products described or contained herein are intended for use in surgical implants, life-support systems, aerospace equipment, nuclear power control systems, vehicles, disaster/crime-prevention equipment and the like, the failure of which may directly or indirectly cause injury, death or property loss.
- Anyone purchasing any products described or contained herein for an above-mentioned use shall:
  - ① Accept full responsibility and indemnify and defend SANYO ELECTRIC CO., LTD., its affiliates, subsidiaries and distributors and all their officers and employees, jointly and severally, against any and all claims and litigation and all damages, cost and expenses associated with such use;
  - ② Not impose any responsibility for any fault or negligence which may be cited in any such claim or litigation on SANYO ELECTRIC CO., LTD., its affiliates, subsidiaries and distributors or any of their officers and employees jointly or severally.
- Information (including circuit diagrams and circuit parameters) herein is for example only; it is not guaranteed for volume production. SANYO believes information herein is accurate and reliable, but no guarantees are made or implied regarding its use or any infringements of intellectual property rights or other rights of third parties.

This catalog provide information as of May, 1995. Specifications and information herein are subject to change without notice.