

SANYO	No. 3341C	LC5851N
		Small-Scale Control, Medium-Speed Type, On-Chip LCD Driver 4-Bit Single Chip Microcomputer

The LC5851N is a 4-bit/single-chip, high-performance microcomputer equipped with LCD drivers. They are produced by CMOS process technology. Their numerous features include low-voltage operation and low current dissipation.

A 4-bit parallel-processing ALU, program memory (ROM), data memory (RAM), input and output ports, timer, clock generator, and LCD drivers are integrated on one chip. A total of 79 instructions, including the operation and processing instructions executable in 4-bit units, and various conditional branch instructions and LCD driver data transfer instructions, form an easy-to-use and effective instruction system.

Because there is a halt function (HALT) which stops, thus reduces current to circuits other than the oscillation, divider, LCD driving circuitries, the time-keeping function having very low power dissipation can be easily performed.

These microcomputers are very useful for controlling electronic tuners, cameras, and other portable devices at low voltage, thereby cutting power dissipation.

Features

Hardware Features

- A wide range of allowable operations

Supply Option	Cycle Time	Supply Voltage Range	Remarks
EXT-V	20 μ s	Vss2=-4.0 to -5.5V	400kHz Ceramic oscillator
EXT-V	40 μ s	Vss2=-4.0 to -5.5V	200kHz Ceramic oscillator
EXT-V	61 μ s	Vss2=-2.3 to -5.5V	65kHz Crystal oscillator
EXT-V	122 μ s, 244 μ s	Vss2=-2.0 to -5.5V	32kHz Crystal oscillator
Li	122 μ s, 244 μ s	Vss2=-2.6 to -3.6V (Note)	32kHz Crystal oscillator
Ag	122 μ s, 244 μ s	Vss1=-1.3 to -1.65V	32kHz Crystal oscillator

(Note) If the backup flag is set, pin BAK is connected to Vss2.
(For further details, refer to the User's Manual.)

Notes for developing an LC5800 series microcomputer-used system

The low current dissipation is a distinctive feature of the LC5800 series microcomputers. However, it is not easy to determine the total current to be dissipated in an LC5800 series microcomputer-used system by actual measurement when you develop a software, because much current flows in the peripherals of the evaluation tools.

For a system which require low current dissipation, check the current dissipation using an evaluation sample before mass-producing the system.

LC5851N

- Micro-current operation
Only micro level current is needed to operate the LC5851N if the HALT function is used efficiently.
- The actual current required, however, depends on the program structure.
The following values are typical for normal clock programs.
3.0 μ A (typ) Ag specifications (1.5V supply)
1.5 μ A (typ) Li specifications (3.0V supply)
- The terminals are capable of driving various types of LCD panel. (25 terminals)

<u>LCD panel</u>	<u>Number of LCD segments</u>
1/3 bias - 1/3 duty	75 segments
1/2 bias - 1/3 duty	75 segments
1/2 bias - 1/2 duty	50 segments
Static	25 segments

- The built-in segment PLA circuit is capable of joining the LCD driver outputs to any patterns on the LCD panel without software.
- A number of input and output terminals are provided.
Input port: 2 ports/8 pins (With a chatter removal circuit)
Input/output port: 2 ports/8 pins
Output port: 1 port/4 pins (Also used as the pseudo-serial output port)
Control output terminal: 2 pins
- The LCD panel drive output terminal can be switched to the output-only port (mask option).
- An initial reset terminal is provided.
- ROM: 1024 x 15 bits
- RAM: 64 x 4 bits
- Built-in oscillation circuit for crystal oscillation or ceramic resonator oscillation.
- Built-in voltage doubler/halver circuits for the LCD power source.
- Form of shipment: QFP64 (QIP64) or chip

Software Features

- As many as 79 instructions.
- Binary addition/subtractions and logical operation.
- Input and output instructions in 4-bit units.
- Conditional branch instructions.
- 8 working registers and operation instructions.
- LCD driver data transfer instructions.
- 4-level subroutine nesting (common with interrupts)
- Interrupt function ... External source: 2 (INT terminal, input ports S and M)
Internal source: 2 (Timer, frequency divider circuit)
- HALT/HOLD release functions ... The HALT release is caused by the same elements as in interrupt.
- Built-in 6-bit programmable timer.
- Built-in 15-bit clock frequency divider circuit.
- All instructions are executable in one machine cycle.

LC5851N

Application Development Tools

- Relations between power specifications for cycle time and evaluation chip

Cycle Time	Oscillation Frequency	Power Specification								Evaluation Chip & Evaluation Chip Board
		Ag Specification		Li Specification		EXTV Specification				
		Use	I _{DD} (typ) /1.5V	Use	I _{DD} (typ) /2.9V	Use	I _{DD} (typ) /3.0V	Use	I _{DD} (typ) /5.0V	
10 μsec	800kHz	×	—	×	—	×	—	○		Evaluation Chip: LC5895HII Evaluation Chip Board: TB5851
20 μsec	400kHz	×	—	×	—	×	—	○		
61 μsec	65.536kHz	×	—	×	—	○	10~40 μA	○	20~80 μA	
122 μsec	32.768kHz	○	4~20 μA	○	2~20 μA	○	8~35 μA	○	15~50 μA	
244 μsec	32.768kHz	○	2~6 μA	○	1~4 μA	○		○		

Table 1. Relations between power specifications for cycle time and evaluation chip.

Note) The I_{DD} (typ) value is determined by the contents of the software.

- Software support tool

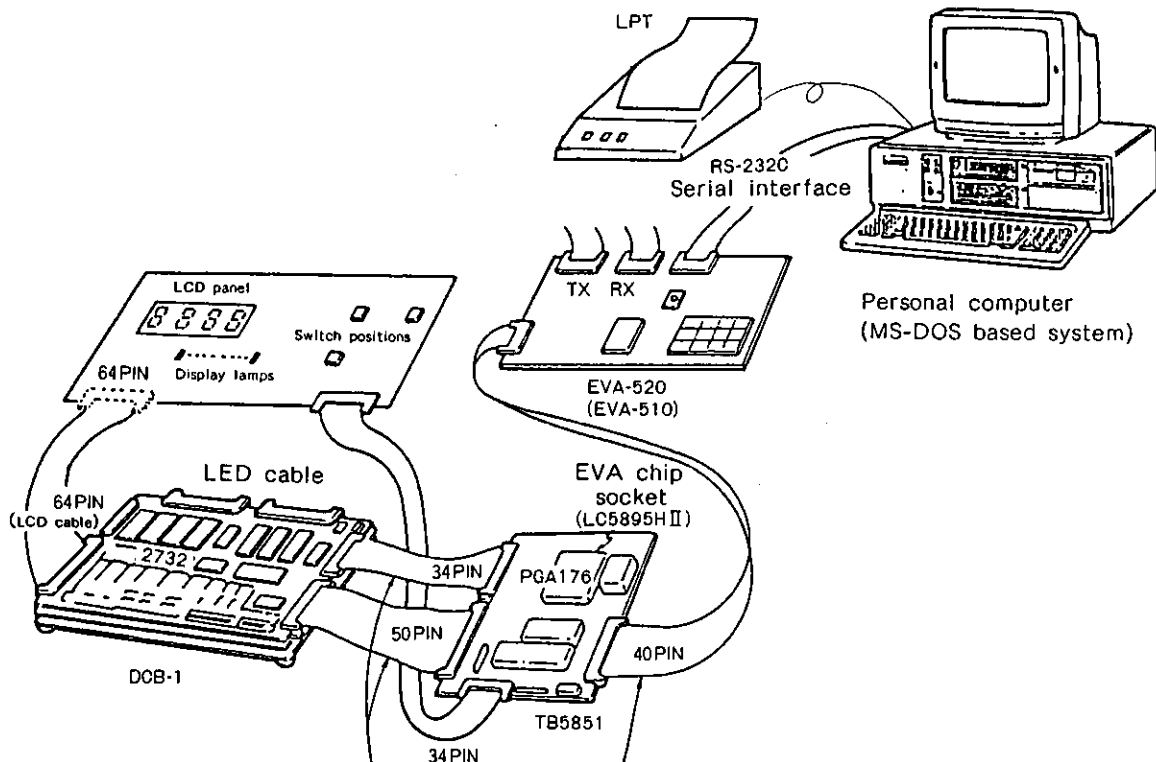
Cross assembler and mask option selection program for MS-DOS based system

- (1) Cross assembler :LC5851, EXE
- (2) Mask option selection program :SU5851N, EXE

- Hardware support tool

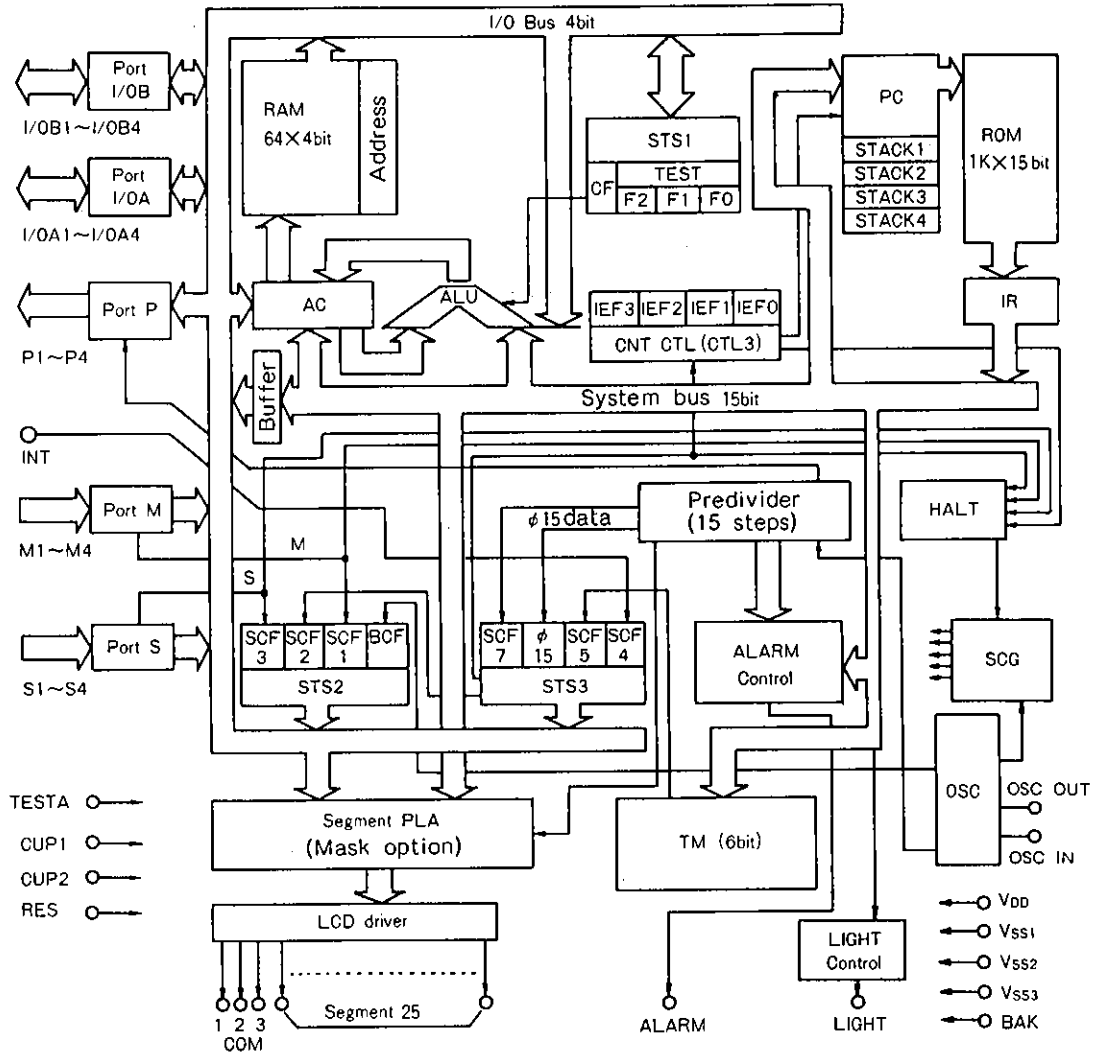
- (1) Evaluation chip :LC5895HII
- (2) Mask option controller :DCB-1A
- (3) Evaluation chip board :TB5851
- (4) Evaluation board :EVA-520 (EVA-510)
- (5) Control ROM :SCR5851

- Development support tool system



Note: These cables must not be connected on the cross or reversely.

Equivalent Circuit Block Diagram



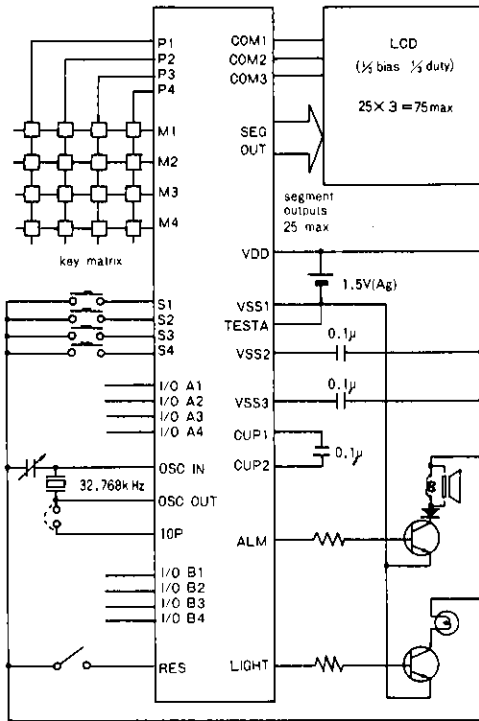
- | | | | |
|---------|--------------------------------|------|-----------------------------------|
| AC | : Accumulator | CF | : Carry flag |
| ALU | : Arithmetic and logic unit | BCF | : Backup flag |
| INT CTL | : Interrupt control circuit | SCF1 | : M port flag |
| PC | : Program counter | SCF2 | : STS3 flag |
| TM | : Preset timer (8 bits) | SCF3 | : S port flag |
| IR | : Instruction register | SCF4 | : INT signal change flag |
| HALT | : Intermittent control circuit | SCF5 | : Timer overflow flag |
| SCG | : System clock generator | φ15 | : Content of 15th step of divider |
| STS1 | : Status register 1 | SCF7 | : Overflow flag of divider |
| STS2 | : Status register 2 | | |
| STS3 | : Status register 3 | | |

Application Examples

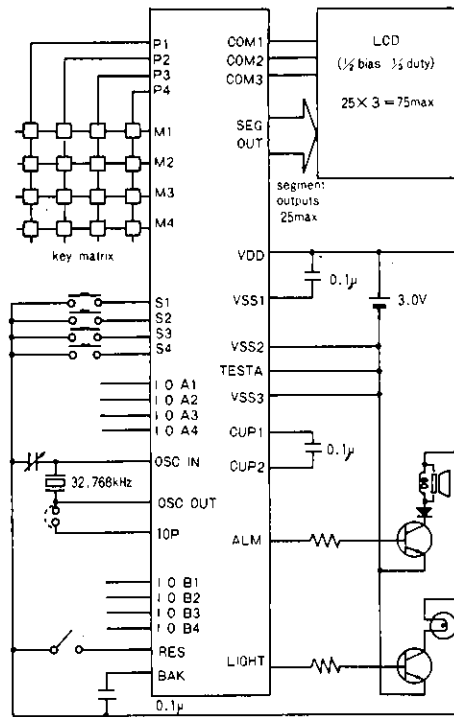
- Portable equipment (timer, watch, clock, hand-held calculator, and thermometer)
- Audio equipment (electronic controller, electronic tuning controller, and clock)
- Home appliances (remote control, and timer control)
- Telephone (dial/clock display)

Application Circuit Examples

(1) Typical application circuit for the Ag specifications
(1/3 bias - 1/3 duty)



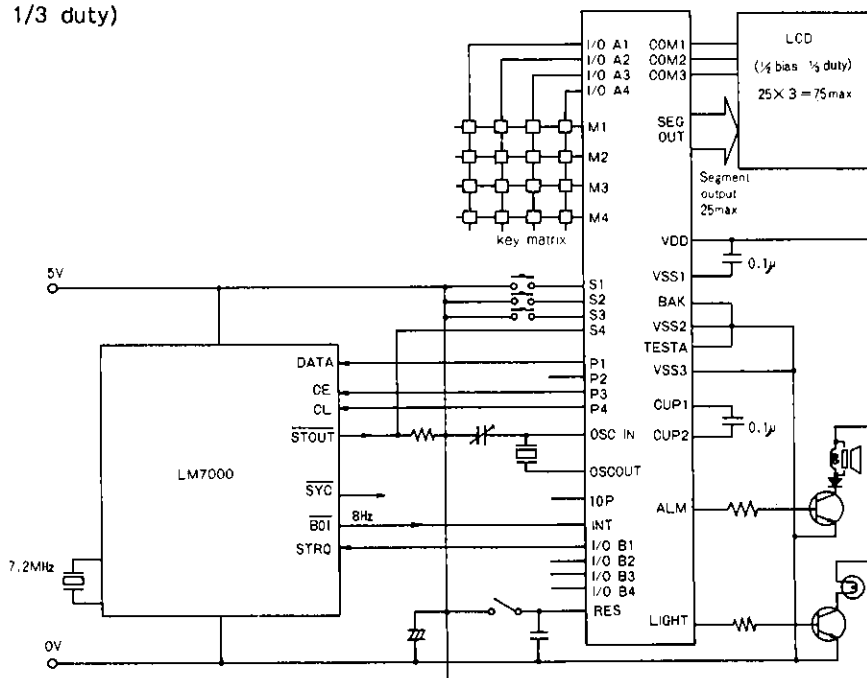
(2) Typical application circuit for the Li specifications
(1/2 bias - 1/3 duty)



INPUT OUTPUT PORT	I/O A1~4, I/O B1~4
INPUT PORT	S1~4, M1~4
OUTPUT PORT	P1~4

Unit (capacitance: F)

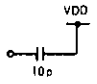
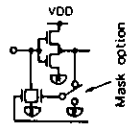
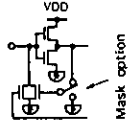
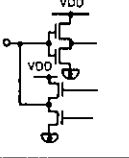
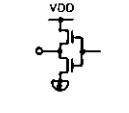
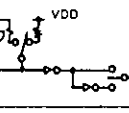
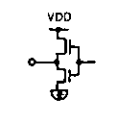
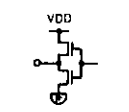
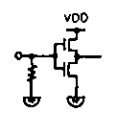
(3) Typical application circuit for the EXT-V specifications
(1/2 bias - 1/3 duty)



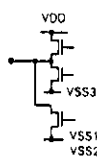
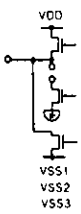
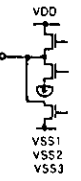
Unit (capacitance: F)

LC5851N

Terminal Description

Terminal Name	Input/Output	Circuit Configuration	Function	Option	Status after Reset
OSC IN	Input		Used as the reference clock and system clock.	① Terminals for crystal oscillator (XT option) ② Terminals for ceramic resonator oscillator (CF option) The CF option is available only for the EXT-V specification.	
OSC OUT	Output				
IOP			Used as an oscillation phase compensating capacitor by connecting it to OSCOUT or OSCIN. Used for chip only.		
S1 S2 S3 S4	Input		Input-only port. Contains a $\varnothing 10$ (32ms), $\varnothing 8$ (8ms) or $\varnothing 6$ (2ms) chatter-removal circuit. (PLA mask option) *The values are for 32.768kHz crystal oscillation.	Selection of "L" level Hold Tr. Chatter-removal time is either $\varnothing 10$, $\varnothing 8$ or $\varnothing 6$. $\varnothing N$ indicates the output at the Nth step of the frequency divider circuit.	Transistor for pull-down resistance is ON.
M1 M2 M3 M4	Input		Input terminals for writing data in RAM.	Selection of "L" level Hold Tr.	Transistor for pull-down resistance is ON.
I/O A1 I/O A2 I/O A3 I/O A4	Input/Output		Input/output port with mode switched by instructions to perform the following operations: ① Input port: Writes data in RAM. ② Output port: Outputs data from RAM.		Input mode
P1 P2 P3 P4	Output		Output-only port		"H" or "L" output (not fixed).
INT	Input		Control Input port for external interrupt request.	① Pull-up resistor ② Pull-down resistor ③ Fall trigger ④ Rise trigger	
BAK			(-) supply voltage terminal for the logic section of LSI circuit. In the LI specifications a capacitor is provided between BAK and VDD to prevent malfunction at the logic section.		Backup flag is set/reset depending on the power source option.
LIGHT	Output		Output-only port. Suitable for delivering signal to drive high-current driving.		"L" output
ALM	Output		Output-only port. Able to output 4kHz-2kHz or 4kHz-1kHz modulating signals according to instructions as well as nonmodulating signals. *The value is for 32.768kHz crystal oscillation.	① Modulating signal (4kHz, 2kHz, Nonmodulation) ② Modulating signal (4kHz, 1kHz, Nonmodulation)	"L" output
RES	Input		System reset terminal. Sets the program counter to address 00. "H" level signal should be input more than 200 μ s in the stable oscillation state.		

LC5851N

Terminal Name	Input/Output	Circuit Configuration	Function	Option	Status after Reset																				
VDD			(+) supply voltage terminal.																						
VSS3 VSS2 VSS1			(-) supply voltage terminal. • Connection of external device varies according to the mask option: The (-) terminal is connected to VSS1 for the Ag specifications. The (-) terminal is connected to VSS2 for other specifications. • Terminals other than the (-) terminal are used as the source supply for the LCD drive.	① Ag specifications ② Li specifications ③ EXT-V specifications																					
CUP1 CUP2			Connection terminals for voltage doubler (halver) capacitor.																						
COM1 COM2 COM3	Output		Output terminals for common plate of LCD panel. Use of terminals varies. <table border="1" data-bbox="606 649 909 795"> <thead> <tr> <th></th> <th>Static</th> <th>1/2 duty</th> <th>1/3 duty</th> </tr> </thead> <tbody> <tr> <td>COM1</td> <td>○</td> <td>○</td> <td>○</td> </tr> <tr> <td>COM2</td> <td>—</td> <td>—</td> <td>○</td> </tr> <tr> <td>COM3</td> <td>—</td> <td>—</td> <td>○</td> </tr> <tr> <td>Alternating frequency</td> <td>32Hz*</td> <td>32Hz*</td> <td>43Hz*</td> </tr> </tbody> </table> • The values are for 32.768kHz crystal oscillation. • 1/2 or double of the frequency can be used depending on the PLA.		Static	1/2 duty	1/3 duty	COM1	○	○	○	COM2	—	—	○	COM3	—	—	○	Alternating frequency	32Hz*	32Hz*	43Hz*	① LCD driving specification • Static • 1/2bias-1/2duty • 1/2bias-1/3duty • 1/3bias-1/3duty ② Alternating frequency specification (The following values are for the 32.768kHz system clock.) • 16Hz • 32Hz • 64Hz	
	Static	1/2 duty	1/3 duty																						
COM1	○	○	○																						
COM2	—	—	○																						
COM3	—	—	○																						
Alternating frequency	32Hz*	32Hz*	43Hz*																						
Segment driver (Only for 3 terminals)	Output		LCD panel segment output terminal. • The terminal can be switched to the output-only port by mask option (See the Option Instruction Sheet for the terminals to be used.) • During the LSI system reset, the static lighting signal is fed to COM1 to COM3 and to each of the LCD segment outputs, and all LCD panel segments go on. • The segment PLA system is used to provide any layout of the LCD panel. • The values are for 32.768kHz crystal oscillation.	① Output for LCD ② CMOS output port ③ Pch open drain output port Options ①, ②, and ③ can be selected in bit units.	Full lighting (for LCD) "H" level (except for LCD)=ACTIVE state																				
Segment driver (For other terminals)	Output		LCD panel segment output terminal. • The terminal can be switched to the output port by mask option. • If the LSI system is reset, the static lighting signal is fed to COM1 to COM3 and to each of the LCD segment outputs, and all LCD panel segments go on. • The segment PLA system is used to provide any layout of the LCD panel. • The values are for 32.768kHz crystal oscillation.	① Output for LCD ② CMOS output port Options ① and ② can be selected in bit units.	Full lighting (for LCD) "H" level (except for LCD)=ACTIVE state																				
TEST TEST TEST			Terminals for test (not used by the users)																						
TESTA			Terminal for test apply (-) voltage.																						
(VDD)			Auxiliary supply voltage terminal. Do not use the terminal.																						

Remarks: ① Ag specifications; VSS1 Li specifications, EXT-V specifications; VSS2

LC5851N

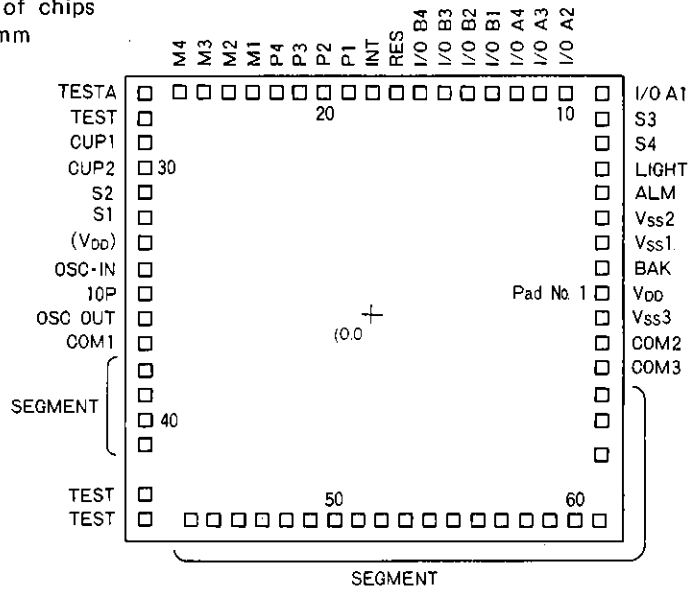
Pad Assignment on LSI Chip

Reference data for the shipment of chips

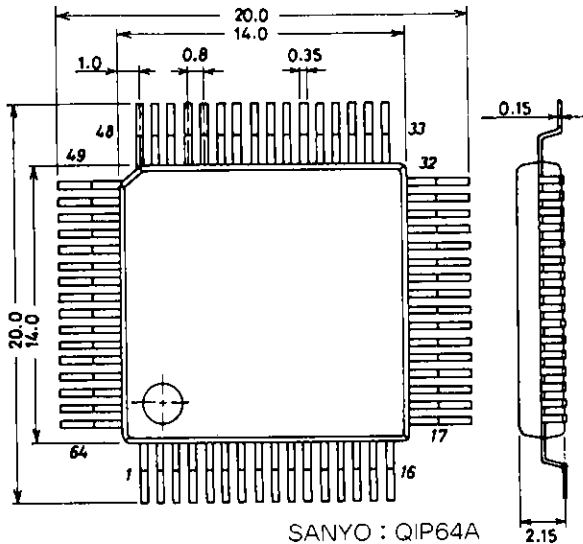
Chips size: 3.85mm X 3.48mm

Chip thickness: 480µm

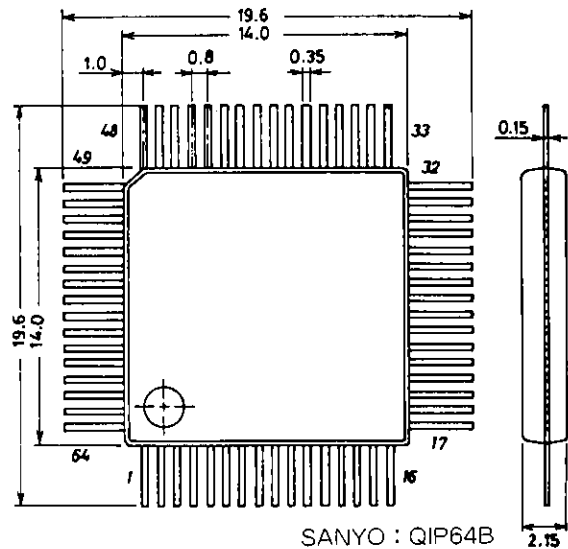
Pad size: 120µm X 120µm



Package Dimensions 3057
(unit:mm)



Package Dimensions 3026B
(unit:mm)



Please contact your local Sales Representative if you plan to use the QIP64B.
(Special packages need to be specially ordered.)

LC5851N

Pin Assignment Pad Name and Coordinates

QFP(QIP) 64 Pin No.	Pad No	Terminal Name	Coordinate		QFP(QIP) 64 Pin No.	Pad No	Terminal Name	Coordinate	
			x(μ m)	y(μ m)				x(μ m)	y(μ m)
40	1	VDD	1728	105	—	35	10P	-1728	105
41	2	BAK	1728	285	9	36	OSC-OUT	-1728	-75
42	3	VSS1	1728	465	10	37	COM1	-1728	-255
43	4	VSS2	1728	645	11	38	SEG01	-1728	-461
44	5	ALM	1728	825	12	39	SEG02	-1728	-641
45	6	LIGHT	1728	1005	13	40	SEG03	-1728	-821
46	7	S4	1728	1185	14	41	SEG04	-1728	-1001
47	8	S3	1728	1365	—	42	TEST	-1728	-1365
48	9	I/O A1	1728	1545	—	43	TEST	-1728	-1545
49	10	I/O A2	1428	1545	15	44	SEG05	-1399	-1545
50	11	I/O A3	1248	1545	16	45	SEG06	-1218	-1545
51	12	I/O A4	1068	1545	17	46	SEG07	-1038	-1545
52	13	I/O B1	888	1545	18	47	SEG08	-858	-1545
53	14	I/O B2	708	1545	19	48	SEG09	-678	-1545
54	15	I/O B3	528	1545	20	49	SEG10	-498	-1545
55	16	I/O B4	348	1545	21	50	SEG11	-318	-1545
56	17	RES	166	1545	22	51	SEG12	-138	-1545
57	18	INT	14	1545	23	52	SEG13	42	-1545
58	19	P1	-196	1545	25	53	SEG14	222	-1545
59	20	P2	-376	1545	26	54	SEG15	402	-1545
60	21	P3	-556	1545	27	55	SEG16	582	-1545
61	22	P4	-736	1545	28	56	SEG17	762	-1545
62	23	M1	-916	1545	29	57	SEG18	942	-1545
63	24	M2	-1096	1545	30	58	SEG19	1122	-1545
64	25	M3	-1276	1545	31	59	SEG20	1302	-1545
1	26	M4	-1456	1545	32	60	SEG21	1482	-1545
2	27	TESTA	-1728	1545	33	61	SEG22	1662	-1545
3	28	TEST	-1728	1365	34	62	SEG23	1728	-1075
4	29	CUP1	-1728	1185	35	63	SEG24	1728	-821
5	30	CUP2	-1728	1005	36	64	SEG25	1728	-641
6	31	S2	-1728	825	37	65	COM3	1728	-435
7	32	S1	-1728	645	38	66	COM2	1728	-255
—	33	(VDD)	-1728	465	39	67	VSS3	1728	-75
8	34	OSC-IN	-1728	285					

- Pin 24 on the QFP64 (QIP64) package is NC. (Use the NC pin in the open position.)
- The pad coordinates are determined with the center of these chip as origin. The values for (X, Y) are the coordinates for the center of each pad.
- Use the terminals for test in the open position.
- When selecting the chip, connect the substrate to VDD.
- When mounting the QFP64 (QIP64) package on the board, do not dip it in solder.

Oscillation Circuit Options

Unit (capacitance: F)

Option	Circuit	Remarks
XT oscillation (32.768kHz)		<ul style="list-style-type: none"> The 10P terminal can be used only for chip selection.
XT oscillation (65kHz)		<ul style="list-style-type: none"> The 10P terminal can be used only for chip selection. Used for the cycle time 61μ version.
CF oscillation		

Input Port Options

Option	Circuit	Remarks
Hold Tr		<ul style="list-style-type: none"> The Hold Tr option is used to reduce the current required, for example, for a pushbutton switch for S1, and a slide switch for S2. For example, the "L" level signal can be held after the pull-down resistor is set to ON for a short period of time by software in case of open type of input port.
Open		<ul style="list-style-type: none"> Pull-down Tr can be used as a pull-down resistor. Pull-down Tr can be set to ON/OFF by software.

"L" level Hold Tr can be selected for ports S1 to S4 and M1 to M4.

- Port S has an independent chatter-removal circuit (in bit units) that operates at $\emptyset 10$ period, $\emptyset 8$ period or $\emptyset 6$ period.
- Port M has a chatter-removal circuit that operates upon of the HALT release request signal. With this circuit, chatter at $\emptyset 10$ period, $\emptyset 8$ period or $\emptyset 6$ period is removed when three terminals of M port are in the "L" level and any signal to the other terminal changes.

Note that $\emptyset N$ indicates the output at the Nth step of the oscillator frequency divider circuit. If a 32.768kHz oscillator is used,

- $\emptyset 6$...About 2msec.
- $\emptyset 8$...About 8msec.
- $\emptyset 10$...About 32msec.

LCD Output Options

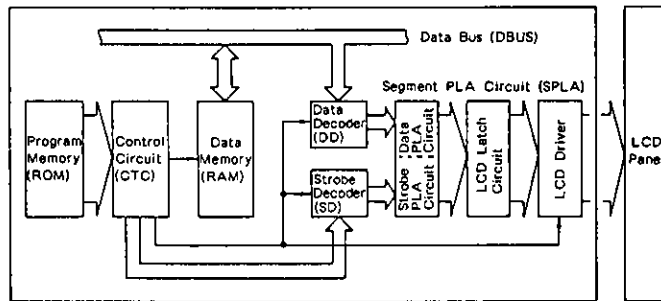
LCD output options for the LCD driver, the CMOS output port and the Pch open drain output port can be selected (the Pch open drain option can be specified only for the predetermined 3 bits).

Option	Output Form
LCD drive	<ul style="list-style-type: none"> Terminal for LCD segment drive. The drive is selected according to the LCD driving system specified separately. <p>The LCD driving system is common to all terminals, and can be selected from among the static, 1/2bias-1/2duty, 1/2bias-1/3duty, and 1/3bias-1/3duty methods.</p>
CMOS output port	<ul style="list-style-type: none"> General-purpose CMOS type output port
Pch open drain output port	<ul style="list-style-type: none"> General-purpose Pch open drain type output port <p>It's usable according to the PLA option for the predetermined three ports. Usable ports...Pad No. 62 to 64 (Pin No. 34 to 36)</p>

Alternating waveform for the LCD driver for LCD output is generated by hardware logic.

Segment PLA Circuit

A schema of the structure of the segment PLA circuit is shown below.



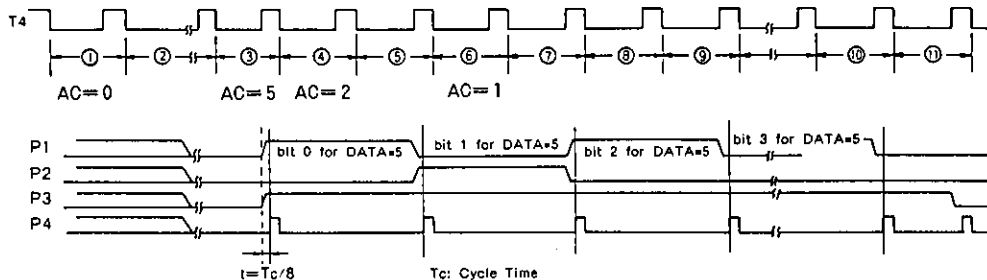
The contents of the Data Memory are sent through to the LCD Latch Circuit for display as is or after being decoded by the Data Decoder. The PLA Circuit is used to rearrange the input data to output it to the LCD latches. With this circuit, data memory can be edited to suit to the LCD panel specifications without software processing. The PLA circuit can be specified by the ROM for PLA. The user must release the ROM for PLA with the program ROM.

Output Port P

The following two modes can be selected by software:

- 1) General-purpose output port
- 2) Pseudo-serial output port

The time chart in the Pseudo-Serial mode is shown below:



- ① , ② Initial processing for serial data transfer.
- ③ , ⑤ , ⑦ , ⑨ ... The first and the second bits of the RAM data are output to ports P1 and P2, respectively.
- ④ , ⑥ , ⑧ RAM data is shifted to the right.

As shown above, the RAM data can be transferred in 1-bit serial data form every two machine cycles. (For this, however, it is necessary to process (e.g., replace) the RAM data every 4-bit transfer.)

Alarm Output

The following frequency divider output can be used directly as alarm output:

- 1) Output signal either at $\phi 3$, $\phi 4$ (or $\phi 5$)
- 2) Any combination output signal at $\phi 10$, $\phi 11$, $\phi 12$, $\phi 13$, $\phi 14$ and $\phi 15$.
- 3) Modulating output signal of 1) or 2).

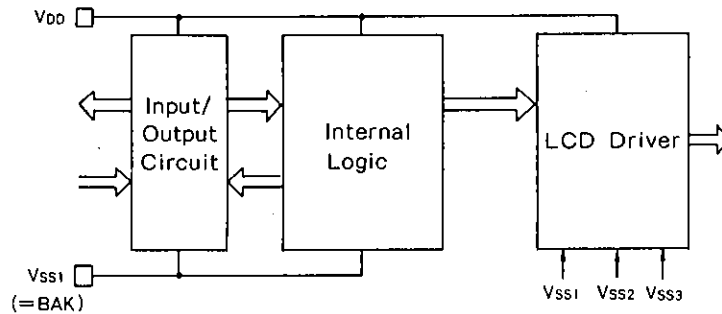
These signals can be output by software.

ϕ_N indicates the output at the Nth step of the oscillator frequency divider.

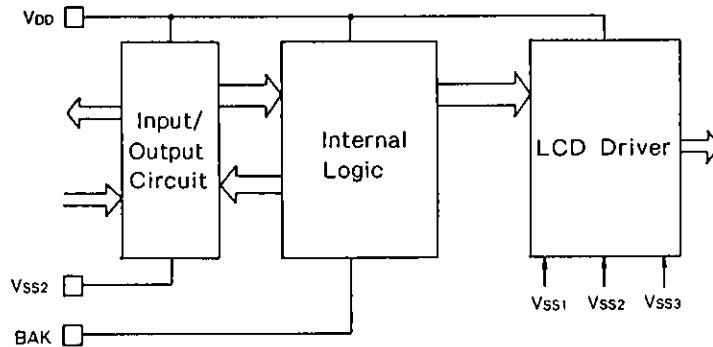
Operation Mode of Internal Logic

The following diagram shows the supply voltages and the operation levels of internal logic.

Ag specifications (1.5V supply)

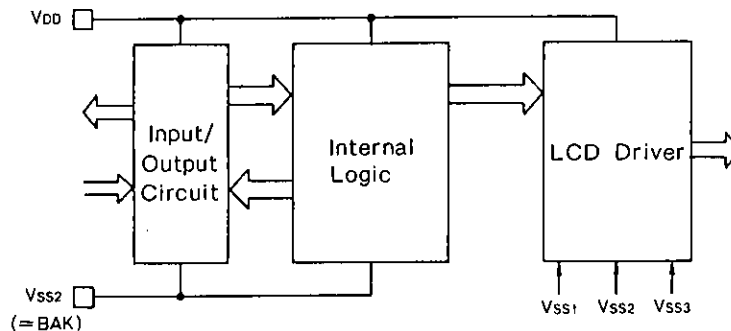


Li specifications (3V supply)



The BAK terminal is connected to VSS1 or VSS2 by software. It is, however, connected to VSS2 after the initial clear is issued.

EXT-V specifications (3 to 5V supply)



- The level of voltage applied to BAK is shown below.

Power source option	BAK terminal level		Input/output* port	Relations between VSS1, VSS2, and VSS3
	Normal mode	Backup mode		
Ag	VSS1	VSS1	VDD-VSS1	$VSS2 \approx VSS1 \times 2$ $VSS3 = VSS2$ (other than 1/3 bias) $VSS3 \approx VSS1 \times 3$ (1/3 bias)
Li	VSS1	VSS2	VDD-VSS2	
EXT-V	VSS2	VSS2	VDD-VSS2	

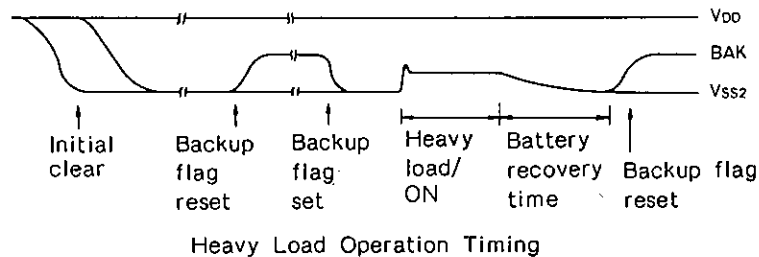
* The LCD output used as general-purpose port is included.

- The backup mode is called by setting the backup flag by software, and the normal mode is reinstated by resetting the flag.

Backup Mode

- The backup mode is useful with Li specifications to prevent malfunctions of LSI circuits under heavy load.

An example of a time chart is shown below.
 Power source option ... Li specifications



- To prevent a sudden change at BAK, a smoothing capacitor must be inserted between BAK and VDD.
- In the Ag and Li specifications, the backup mode is called with an initial clear. The reason is:
 Ag specifications ... To shorten the oscillation start time of the crystal oscillator circuit.
 Li specifications ... To start oscillation by applying supply voltage to the oscillator.
 Be sure to reset the backup flag to return to normal mode, after the initial clear is released. The backup-mode-related elements enter the following.

Power Source Specifications	BACK UP FLAG	Oscillator Inverter Size	BAK Terminal	Current Required
Ag	Set	Large	Connected to Vss1 (Fixed).	Becomes large.
Li	Set	Large	Brought to Vss2 level.	Becomes large.
EXT-V	Reset	Small	Connected to Vss2 (Fixed).	As usual.

Operation of Backup Flag at Initial Clear Mode

- The current required in backup mode is 20 to 40 times that for normal mode. Therefore, be sure to reset the backup flag except when necessary. For the EXT-V specifications, it is unnecessary to set the backup flag.

Resetting Internal Logic

There are three functions for resetting internal logic:

1. On-chip power-ON clear function ... Use of this option can be determined by the mask option.
 2. Reset terminal RES
 3. Simultaneous operation of S1 to S4
- } Either option 2. or 3. can be specified (mask option).

These reset functions are explained below.

1) Built-in power-ON clear circuit

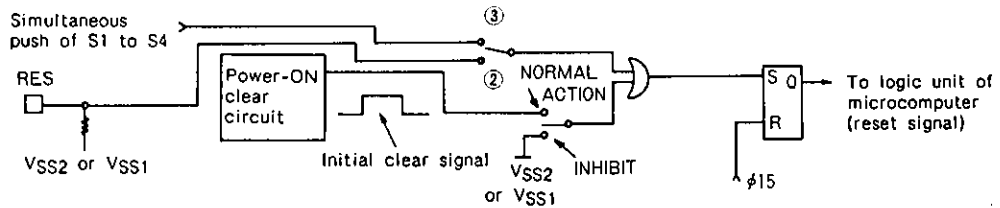
The initial clear circuit provided in the microcomputer automatically operates and resets internal logic when power is turned on. This function is very useful in that it can be activated without external devices, but it has the two disadvantages listed below. It is, therefore, recommended that this function be used with other reset functions or that other methods be used according to applications.

- a) The circuit may not operate under certain power-rise conditions during the power-ON sequence or due to chatter.
- b) Malfunctions may take place due to pulse noise in V_{DD} port or a sudden change in status.

One of the following two reset options can be selected:

INHIBIT: The built-in power-ON clear circuit is not used.
Malfunction due to pulse noise in V_{DD} port can be prevented.

NORMAL ACTION: The built-in power-ON clear circuit is used.
This option should be selected only when pulse noise in the power does not affect.

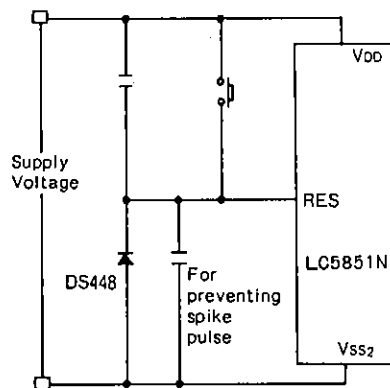


The built-in power-ON clear function in LSI circuits may not work under certain power-rise conditions. Use an external reset switch (the reset terminal or simultaneous operation of S1 to S4).

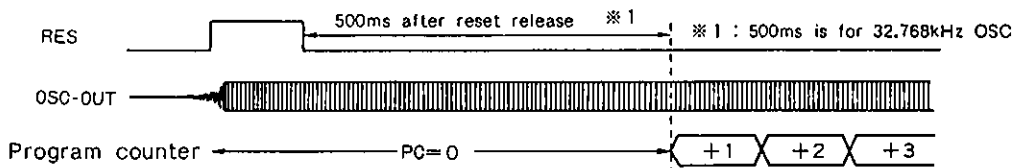
2) To activate the initial clear function completely with the reset terminal, the following conditions must be satisfied:

- 1 Oscillation must be normal.
- 2 The "H" level signal must be applied for more than 200µs.

An example of the reset circuit is shown below.



Reset release



LC5851N

Even with this circuit, the above two requisites may not be satisfied due to the power-rise conditions or oscillation start time, and therefore the power-ON clear function may not work. To prevent this, an external reset switch should be used.

- 3) The same requisites as in 2) must be satisfied for the simultaneous operation of S1 to S4. If the timing for applying signals to S1 to S4 (i.e., the timing for signals changing from "H" to "L" levels) is not even, the microcomputer starts operating according to the built-in program.

Option List

Parameter		Option Selection	Remarks
Power Select		<ul style="list-style-type: none"> • Ag specifications • Li specificaitons • EXT-V specifications 	
LCD lighting		<ul style="list-style-type: none"> • Static • 1/2Bias-1/2Duty • 1/2Bias-1/3Duty • 1/3Bias-1/3Duty • NON USE 	Select "non use" if all LCD outputs are to be used as general-purpose ports.
LCD frequency		<ul style="list-style-type: none"> • SLOW (OSC/2048) • TYP (OSC/1024) • FAST (OSC/512) 	
"L" level HOLD Tr	S PORT (S1-4)	<ul style="list-style-type: none"> • Use "L"-level hold Tr • Non Use "L"-level hold Tr 	
	M PORT (M1-4)	<ul style="list-style-type: none"> • Use "L"-level hold Tr • Non Use "L"-level hold Tr 	
S,M port chatter-removal frequency		<ul style="list-style-type: none"> • SLOW (OSC/1024) • TYP (OSC/256) • FAST (OSC/64) 	
INT terminal	Input resistance	<ul style="list-style-type: none"> • Pull-up • Pull-down • Open 	
	Signal change	<ul style="list-style-type: none"> • Rise • Fall 	
External reset		<ul style="list-style-type: none"> • RES terminal • Simultaneous operation of S1 to S4 	
Internal timer clock		<ul style="list-style-type: none"> • SLOW (OSC/512) • FAST (OSC/8) 	
ALARM signal modulating reference frequency		<ul style="list-style-type: none"> • TYP (OSC/8, OSC/16) • SLOW (OSC/8, OSC/32) 	
Built-in power-ON clear function		<ul style="list-style-type: none"> • Use • Non Use 	
Oscillator configuration		<ul style="list-style-type: none"> • 32.768kHz crystal use • 65.536kHz crystal use • Ceramic oscillator use 	
Cycle Time		<ul style="list-style-type: none"> • SLOW (OSC/8) • FAST (OSC/4) 	Select SLOW at 200kHz ceramic resonator mode.

LC5851N

EXT-V Specifications

Absolute Maximum Ratings at Ta=25°C, VDD=0V

Item	Symbol	Condition/Terminal	Rating	unit
Maximum Supply Voltage	Vss1		-7.0 to +0.3	V
	Vss2		-7.0 to +0.3	V
	Vss3		-8.5 to +0.3	V
Maximum Input Voltage	VIN1		(Vss2 to +0.3 -0.3)	V
Maximum Output Voltage	VOUT1	ALM, LIGHT, P1to4, CUP2, OSCOUT, TEST, I/O A1-4, I/O B1-4, (I/O A, I/O B: output mode.)	(Vss2 to +0.3 -0.3)	V
	VOUT2		(Vss3 to +0.3 -0.3)	V
Operating Temperature	Topr		-20 to +70	°C
Storage Temperature	Tstg		-30 to +125	°C

Allowable Operating Conditions at Ta=-20 to +70°C, VDD=0V

Item	Symbol	Condition/Terminal	min	typ	max	unit	
Supply Voltage	Vss1	32kHz crystal mode	-5.5		-1.3	V	
	Vss2		-5.5		-2.0	V	
	Vss3		-8.25		-2.0	V	
Supply Voltage	Vss1	65kHz crystal mode	-5.5		-1.3	V	
	Vss2		-5.5		-2.3	V	
	Vss3		-8.25		-2.3	V	
Supply Voltage	Vss1	External input mode	-5.5		-1.7	V	
	Vss2		-5.5		-3.5	V	
	Vss3		-8.25		-3.5	V	
Supply Voltage	Vss1	CF mode (200kHz,400kHz,800kHz)	-5.5		-2.0	V	
	Vss2		-5.5		-4.0	V	
	Vss3		-8.25		-4.0	V	
Input "H"-Level Voltage	VIH1	All input terminal except OSCIN	(0.3× Vss2		0	V	
Input "L"-Level Voltage	VIL1		Vss2		(0.7× Vss2	V	
Input "H"-Level Voltage	VIH2	OSCIN terminal, external input mode	(0.2× Vss2		0	V	
Input "L"-Level Voltage	VIL2		Vss2		(0.8× Vss2	V	
Operating Frequency	fopg1	Vss2=-2.0to -5.5V	OSCIN/OSCOUT 32kHz crystal, Fig.2	32		66	kHz
Operating Frequency	fopg2	Vss2=-2.3to -5.5V	OSCIN/OSCOUT 65kHz crystal, Fig.2	60		66	kHz
Operating Frequency	fopg3	Vss2=-3.5to -5.5V	OSCIN, external input, Fig.8	32		220	kHz
Operating Frequency	fopg4	Vss2=-4.0to -5.5V	OSCIN/OSCOUT CF 200kHz, Fig.1	180	200	220	kHz
Operating Frequency	fopg5	Vss2=-4.0to -5.5V	OSCIN/OSCOUT CF 400kHz, Fig.1	360	400	440	kHz
Operating Frequency	fopg6	Vss2=-4.0to -5.5V	OSCIN/OSCOUT CF800kHz Fig.1	720	800	810	kHz

LC5851N

Electrical Characteristics at Ta=-20 to +70°C, VDD=0V

Item	Symbol	Condition/Terminal	min	typ	max	unit
Input Resistance	RIN1A	VSS2=-2.9V VIN=0.8·VSS2 "L" level hold Tr *1, Fig.3	10		200	kΩ
	RIN1B	VSS2=-2.9V VIN=VDD "L" level pull-in Tr *1, Fig.3	200	700	2000	kΩ
	RIN2A	VSS2=-2.9V VIN=VSS2 Resistance for INT pull-up	200	700	2000	kΩ
Input Resistance	RIN2B	VSS2=-2.9V VIN=VDD Resistance for INT pull-down	200	700	2000	kΩ
	RIN3	VSS2=-2.9V VIN=VDD or VSS2 RES	5		50	kΩ
Output "H"-Level Voltage	VOH(1)	VSS2=-2.4V IOH=-1 mA ALM	-1	-0.3		V
Output "L"-Level Voltage	VOL(1)	VSS2=-2.4V IOL=1 mA ALM		(VSS2 +0.3)	(VSS2 +1)	V
Output "H"-Level Voltage	VOH(2)	VSS2=-2.4V IOH=-0.3mA LIGHT, port P	-1	-0.3		V
Output "L"-Level Voltage	VOL(2)	VSS2=-2.4V IOL=0.5mA LIGHT, port P		(VSS2 +0.3)	(VSS2 +1)	V
Output "H"-Level Voltage	VOH(3)	VSS2=-2.4V IOH=-0.1mA I/O port	-1	-0.3		V
Output "H"-Level Voltage	VOH(4)	VSS2=-2.4V IOH=-50μA I/O port	-0.6	-0.2		V
Output "L"-Level Voltage	VOL(4)	VSS2=-2.4V IOL=0.1mA I/O port		(VSS2 +0.3)	(VSS2 +1)	V
Segment Driver Output Impedance						
● CMOS Output Port Mode						
Output "H"-Level Voltage	VOH(5)	VSS2=-2.4V IOH=-10μA Segment [PAD No62to64 QIP64 pin No. 34to36]	-1	-0.3		V
Output "L"-Level Voltage	VOL(5)	VSS2=-2.4V IOL=100μA		(VSS2 +0.3)	(VSS2 +1)	V
Output "H"-Level Voltage	VOH(6)	VSS2=-2.4V IOH=-5 μA Segment [PAD No 38to41, 44to61 QIP64 pin No. 11to23, 25to33]	-1	-0.3		V
Output "L"-Level Voltage	VOL(6)	VSS2=-2.4V IOL=20μA		(VSS2 +0.3)	(VSS2 +1)	V
● PCH Open Drain Output Port Mode						
Output "H"-Level Voltage	VOH(5)	VSS2=-2.4V IOH=-10μA Segment [PAD No62to64 QIP64 pin No. 34to36]	-1	-0.3		V
Output OFF-State Leakage Current	IOFF	VSS2=-2.9V VOL=VSS2			1	μA
● Static Display						
Output "H"-Level Voltage	VOH(5)	VSS2=-2.4V IOH=-0.4μA All segments	-0.2			V
Output "L"-Level Voltage	VOL(5)	VSS2=-2.4V IOL=0.4μA			(VSS2 +0.2)	V
Output "H"-Level Voltage	VOH(7)	VSS2=-2.4V IOH=-4 μA COM1	-0.2			V
Output "L"-Level Voltage	VOL(7)	VSS2=-2.4V IOL=4 μA			(VSS2 +0.2)	V

Continued on next page.

LC5851N

Continued from preceding page.

Electrical Characteristics at Ta=-20 to +70°C, VDD=0V

Item	Symbol	Condition/Terminal	min	typ	max	unit
● Duplex Display (1/2Bias, 1/2Duty)						
Output "H"-Level Voltage	VOH(5)	VSS2=-2.4V IOH=-0.4μA	-0.2			V
Output "L"-Level Voltage	VOL(5)	VSS2=-2.4V IOL=0.4μA				
Output "H"-Level Voltage	VOH(7)	VSS2=-2.4V IOH=-4μA	-0.2			V
Output "M"-Level Voltage	VOM	VSS2=-2.4V IOH=-4μA IOL=4μA	(VSS2/2 -0.2)		(VSS2/2 +0.2)	V
Output "L"-Level Voltage	VOL(7)	VSS2=-2.4V IOL=4μA			(VSS2 +0.2)	V
● 1/2Bias, 1/3Duty Display						
Output "H"-Level Voltage	VOH(5)	VSS2=-2.4V IOH=-0.4μA	-0.2			V
Output "L"-Level Voltage	VOL(5)	VSS2=-2.4V IOL=0.4μA				
Output "H"-Level Voltage	VOH(7)	VSS2=-2.4V IOH=-4μA	-0.2			V
Output "M"-Level Voltage	VOM	VSS2=-2.4V IOH=-4μA IOL=4μA	(VSS2/2 -0.2)		(VSS2/2 +0.2)	V
Output "L"-Level Voltage	VOL(7)	VSS2=-2.4V IOL=4μA			(VSS2 +0.2)	V
● 1/3Bias, 1/3Duty Display						
Output "H"-Level Voltage	VOH(5)	VSS2=-2.4V IOH=-0.4μA	-0.2			V
Output "M"-Level Voltage	VOM1-1	VSS2=-2.4V IOH=-0.4μA	(VSS2/2 -0.2)		(VSS2/2 +0.2)	V
	VOM1-2	IOL=0.4μA	(VSS2 -0.2)		(VSS2 +0.2)	V
Output "L"-Level Voltage	VOL(5)	VSS2=-2.4V IOL=0.4μA			(VSS3 +0.2)	V
Output "H"-Level Voltage	VOH(7)	VSS2=-2.4V IOH=-4μA	-0.2			V
Output "M"-Level Voltage	VOM2-1	VSS2=-2.4V IOH=-4μA	(VSS2/2 -0.2)		(VSS2/2 +0.2)	V
	VOM2-2	IOL=4μA	(VSS2 -0.2)		(VSS2 +0.2)	V
Output "L"-Level Voltage	VOL(7)	VSS2=-2.4V IOL=4μA			(VSS3 +0.2)	V

Continued on next page.

LC5851N

Continued from preceding page.

Electrical Characteristics at Ta=-20 to +70°C, VDD=0V

Item	Symbol	Condition/Terminal	min	typ	max	unit
Input Resistance	R _{IN1A}	V _{SS2} =-5.0V V _{IN} =0.8·V _{SS2} "L" level hold Tr, *1, Fig.3	10	45	150	kΩ
	R _{IN1B}	V _{SS2} =-5.0V V _{IN} =V _{DD} Pull-in "L" level Tr, *1, Fig.3	100	350	1000	kΩ
	R _{IN2A}	V _{SS2} =-5.0V V _{IN} =V _{SS2} Resistance for INT pull-up	100	350	1000	kΩ
	R _{IN2B}	V _{SS2} =-5.0V V _{IN} =V _{DD} Resistance for INT pull-down	100	350	1000	kΩ
	R _{IN3}	V _{SS2} =-5.0V V _{IN} =V _{DD} or V _{SS2} RES	10	20	50	kΩ
Output "H"-Level Voltage	V _{OH} (1)	V _{SS2} =-3.5V to -5.5V I _{OH} =-1.5mA ALM	-1	-0.3		V
Output "L"-Level Voltage	V _{OL} (1)	V _{SS2} =-3.5V to -5.5V I _{OL} =1.5mA ALM		(V _{SS2} +0.3)	(V _{SS2} +1)	V
Output "H"-Level Voltage	V _{OH} (2)	V _{SS2} =-3.5V to -5.5V I _{OH} =0.5mA LIGHT, port P	-1	-0.3		V
Output "L"-Level Voltage	V _{OL} (2)	V _{SS2} =-3.5V to -5.5V I _{OL} =0.7mA LIGHT, port P		(V _{SS2} +0.3)	(V _{SS2} +1)	V
Output "H"-Level Voltage	V _{OH} (3)	V _{SS2} =-3.5V to -5.5V I _{OH} =-0.13mA I/O port	-1	-0.3		V
Output "H"-Level Voltage	V _{OH} (4)	V _{SS2} =-3.5V to -5.5V I _{OH} =-50μA I/O port	-0.6	-0.2		V
Output "L"-Level Voltage	V _{OL} (4)	V _{SS2} =-3.5V to -5.5V I _{OL} =0.13mA I/O port		(V _{SS2} +0.3)	(V _{SS2} +1)	V
Segment Driver Output Impedance						
● CMOS Output Port Mode						
Output "H"-Level Voltage	V _{OH} (5)	V _{SS2} =-3.5V to -5.5V I _{OH} =-15μA Segment PAD No62to64 QIP64 pin No. 34to36	-1	-0.3		V
Output "L"-Level Voltage	V _{OL} (5)	V _{SS2} =-3.5V to -5.5V I _{OL} =150μA		(V _{SS2} +0.3)	(V _{SS2} +1)	V
Output "H"-Level Voltage	V _{OH} (6)	V _{SS2} =-3.5V to -5.5V I _{OH} =-10μA Segment PAD No 38to41, 44to61 QIP64 pin No. 11to23, 25to33	-1	-0.3		V
Output "L"-Level Voltage	V _{OL} (6)	V _{SS2} =-3.5V to -5.5V I _{OL} =60μA		(V _{SS2} +0.3)	(V _{SS2} +1)	V

Continued on next page.

LC5851N

Continued from preceding page.

Electrical Characteristics at Ta=-20 to +70°C, VDD=0V

Item	Symbol	Condition/Terminal	min	typ	max	unit
●PCH Open Drain Output Port Mode						
Output "H"-Level Voltage	VOH(5)	Vss2=-3.5V to -5.25V IOH=-15μA	-1	-0.3		V
Output OFF-State Leakage Current	IOFF	Vss2=-3.5V to -5.25V VOL=Vss2			1	μA
● Static Display						
Output "H"-Level Voltage	VOH(5)	Vss2=-3.5V to -5.25V IOH=-0.4μA	-0.2			V
Output "L"-Level Voltage	VOL(5)	Vss2=-3.5V to -5.25V IOL=0.4μA			(Vss2 +0.2)	V
Output "H"-Level Voltage	VOH(7)	Vss2=-3.5V to -5.25V IOH=-4μA	-0.2			V
Output "L"-Level Voltage	VOL(7)	Vss2=-3.5V to -5.25V IOL=4μA			(Vss2 +0.2)	V
● Duplex Display (1/2Bias, 1/2Duty)						
Output "H"-Level Voltage	VOH(5)	Vss2=-3.5V to -5.25V IOH=-0.4μA	-0.2			V
Output "L"-Level Voltage	VOL(5)	Vss2=-3.5V to -5.25V IOL=0.4μA			(Vss2 +0.2)	V
Output "H"-Level Voltage	VOH(7)	Vss2=-3.5V to -5.25V IOH=-4μA	-0.2			V
Output "M"-Level Voltage	VOM2-1	Vss2=-3.5V to -5.25V IOH=-4μA IOL=4μA	(Vss2/2 -0.2)		(Vss2/2 +0.2)	V
Output "L"-Level Voltage	VOL(7)	Vss2=-3.5V to -5.25V IOL=4μA			(Vss2 +0.2)	V
● 1/2Bias, 1/3Duty Display						
Output "H"-Level Voltage	VOH(5)	Vss2=-3.5V to -5.25V IOH=-0.4μA	-0.2			V
Output "L"-Level Voltage	VOL(5)	Vss2=-3.5V to -5.25V IOL=0.4μA			(Vss2 +0.2)	V
Output "H"-Level Voltage	VOH(7)	Vss2=-3.5V to -5.25V IOH=-4μA	-0.2			V
Output "M"-Level Voltage	VOM2 -1	Vss2=-3.5V to -5.25V IOH=-4μA IOL=4μA	(Vss2/2 -0.2)		(Vss2/2 +0.2)	V
Output "L"-Level Voltage	VOL(7)	Vss2=-3.5V to -5.25V IOL=4μA			(Vss2 +0.2)	V

Continued on next page.

LC5851N

Continued from preceding page.

Electrical Characteristics at Ta=-20 to +70°C, VDD=0V

Item	Symbol	Condition/Terminal	min	typ	max	unit
● 1/3Bias, 1/3Duty Display						
Output "H"-Level Voltage	VOH(5)	Vss2=-3.5V to -5.25V IOH=-0.4μA	-0.2			V
Output "M"-Level Voltage	VOM1-1	Vss2=-3.5V to -5.25V IOH=-0.4μA IOL=0.4μA All segments	(Vss2/2 -0.2)		(Vss2/2 +0.2)	V
	VOM1-2		(Vss2 -0.2)		(Vss2 +0.2)	V
Output "L"-Level Voltage	VOL(5)	Vss2=-3.5V to -5.25V IOL=0.4μA			(Vss3 +0.2)	V
Output "H"-Level Voltage	VOH(7)	Vss2=-3.5V to -5.25V IOH=-4μA	-0.2			V
Output "M"-Level Voltage	VOM2-1	Vss2=-3.5V to -5.25V IOH=-4μA IOL=4μA COM1-3	(Vss2/2 -0.2)		(Vss2/2 +0.2)	V
	VOM2-2		(Vss2 -0.2)		(Vss2 +0.2)	V
Output "L"-Level Voltage	VOL(7)	Vss2=-3.5V to -5.25V IOL=4μA			(Vss3 +0.2)	V
Power Supply Leakage Current	I _{LEK}	Vss2=Vss3=-4.5V Ta=25°C			10	μA
Input Leakage Current	I _{IN}	Vss2=-2.0 to -4.5V VIN=Vss2 to VDD	-1		1	μA
Output Voltage	Vss1	Vss2=-2.9V Vss3=-2.9V C1=C2=C3=0.1μF fopg=32.768kHz Ta=25°C Fig.7		-1.45	-1.35	V
	Vss3			-4.35	-4.1	V
Output Voltage	Vss1	Vss2=-4.5V Vss3=-4.5V C1=C2=C3=0.1μF fopg=32.768kHz Ta=25°C Fig.7		-2.25	-2.2	V
	Vss3			-6.70	-6.6	V
Supply Current	I _{DD 1}	Vss2=-2.9V Ta=25°C, HALT mode C1=C2=0.1μF C1=25kΩ fopg=32.768kHz Cg=20pF Static:Fig.9, 1/3B, 1/3D:Fig.7, others:Fig.4		3.0	5	μA
	I _{DD 2}			10	20	μA
Supply Current	I _{DD 3}	Vss2=-4.5V Ta=25°C HALT mode C1=C2=0.1μF C1=25kΩ fopg=65.536kHz Cg=10pF Static:Fig.9, 1/3B, 1/3D:Fig.7, others:Fig.4		20	50	μA
Supply Current	I _{DD 4}	Vss2=-4.5V Ta=25°C HALT mode C1=C2=0.1μF fopg=200kHz Cg=Cd=330pF or 180pF Rf=1MΩ Fig.6		100	300	μA
Supply Current	I _{DD 5}	Vss2=-4.5V Ta=25°C HALT mode C1=C2=0.1μF fopg=400kHz Cg=Cd=100pF or 330pF Rf=1MΩ Fig.6		150	400	μA

Continued on next page.

LC5851N

Continued from preceding page.

Electrical Characteristics at Ta=-20 to +70°C, VDD=0V

Item	Symbol	Condition/Terminal	min	typ	max	unit
Supply Current	I _{DD6I}	V _{SS2} =-4.5V Ta=25°C HALT mode C1=C2=0.1μF fopg=800kHz Cg=Cd=100pF Rf=1MΩ Fig.6		200	500	μA
Oscillation Hold Voltage	I _{VHOLD1I}	Ta=25°C C1=C2=0.1μF Cl=25kΩ fopg=32.768kHz Cg=20pF Static:Fig.9, 1/3B. 1/3D:Fig.7, others:Fig.4	2.0		5.5	V
Oscillation Hold Voltage	I _{VHOLD2I}	Ta=25°C C1=C2=0.1μF Cl=25kΩ fopg=65.536kHz Cg=10pF Static:Fig.10, 1/3B. 1/3D:Fig.7, others:Fig.4	2.3		5.5	V
Oscillation Start Voltage	I _{Vstt1I}	Ta=25°C C1=C2=0.1μF Cl=25kΩ Fig.5 fopg=32.768kHz Cg=20pF			2.2	V
Oscillation Start Voltage	I _{Vstt2I}	Ta=25°C C1=C2=0.1μF Cl=25kΩ Fig.5 fopg=65.536kHz Cg=10pF			2.6	V
Oscillation Start Time	T _{stt1}	V _{SS2} =-2.9V Ta=25°C C1=C2=0.1μF Cl=25kΩ Fig.5 V _{SS2} =-4.5V Ta=25°C fopg=32.768kHz Cg=20pF			10	s
Oscillation Start Time	T _{stt2}	V _{SS2} =-2.9V Ta=25°C C1=C2=0.1μF Cl=25kΩ Fig.5 V _{SS2} =-4.5V Ta=25°C fopg=65.536kHz Cg=10pF			10	s
Oscillation Start Voltage	I _{Vstt4I}	Ta=25°C fopg=200kHz Fig.6 Cg=Cd=330pF or 180pF Rf=1MΩ			4.0	V
Oscillation Hold Voltage	I _{VHOLD4I}	Ta=25°C fopg=200kHz Fig.6 Cg=Cd=330pF or 180pF Rf=1MΩ	3.5		5.25	V
Oscillation Start Time	T _{stt4}	V _{SS2} =-4.5V Ta=25°C fopg=200kHz Fig.6 Cg=Cd=330pF or 180pF Rf=1MΩ		50	500	ms
Oscillation Start Voltage	I _{Vstt5I}	Ta=25°C fopg=400kHz Fig.6 Cg=Cd=100pF or 330pF Rf=1MΩ			4.0	V
Oscillation Hold Voltage	I _{VHOLD5I}	Ta=25°C fopg=400kHz Fig.6 Cg=Cd=100pF or 330pF Rf=1MΩ	3.5		5.5	V
Oscillation Start Time	T _{stt5}	V _{SS2} =-4.5V Ta=25°C fopg=400kHz Fig.6 Cg=Cd=100pF or 330pF Rf=1MΩ			30	ms

Continued from preceding page.

Electrical Characteristics at Ta=-20 to +70°C, VDD=0V

Item	Symbol	Condition/Terminal	min	typ	max	unit
Oscillation Start Voltage	IVstt6I	Ta=25°C fopg=800kHz Fig.6 Cg=Cd=100pF Rf= 1 MΩ			4.0	V
Oscillation Hold Voltage	IVHOLD6I	Ta=25°C fopg=800kHz Fig.6 Cg=Cd=100pF Rf= 1 MΩ	3.5		5.5	V
Oscillation Start Time	Tstt6	Vss2=-4.5V Ta=25°C fopg=800kHz Fig.6 Cg=Cd=100pF Rf= 1 MΩ			30	ms
Oscillation Compensation Capacitance	10P	Vss2=-2.9V 10p terminal (for chip only)		10		pF
	10P	Vss2=-4.5V 10p terminal (for chip only)		10		pF
	20P	Vss2=-2.9V OSCOUT terminal		20		pF
	20P	Vss2=-4.5V OSCOUT terminal		20		pF

■ No products described or contained herein are intended for use in surgical implants, life-support systems, aerospace equipment, nuclear power control systems, vehicles, disaster/crime-prevention equipment and the like, the failure of which may directly or indirectly cause injury, death or property loss.

■ Anyone purchasing any products described or contained herein for an above-mentioned use shall:

- ① Accept full responsibility and indemnify and defend SANYO ELECTRIC CO., LTD., its affiliates, subsidiaries and distributors and all their officers and employees, jointly and severally, against any and all claims and litigation and all damages, cost and expenses associated with such use:
- ② Not impose any responsibility for any fault or negligence which may be cited in any such claim or litigation on SANYO ELECTRIC CO., LTD., its affiliates, subsidiaries and distributors or any of their officers and employees jointly or severally.

■ Information (including circuit diagrams and circuit parameters) herein is for example only; it is not guaranteed for volume production. SANYO believes information herein is accurate and reliable, but no guarantees are made or implied regarding its use or any infringements of intellectual property rights or other rights of third parties.

※1 S1, S2, S3, S4, M1, M2, M3, M4

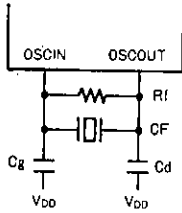


Fig. 1 Ceramic Resonator Oscillation

Recommended Ceramic Resonator

Frequency	Item	Murata			Kyocera				
		Type Number	Cg	Cd	Rf	Type Number	Cg	Cd	Rf
200kHz		CSB200D	330pF	330pF	1 MΩ	KBR-200B	180pF	180pF	1 MΩ
400kHz		CSB400P	100pF	100pF	1 MΩ	KBR-400B	330pF	330pF	1 MΩ
800kHz		CSB800J	100pF	100pF	1 MΩ	KBR-800H	100pF	100pF	1 MΩ

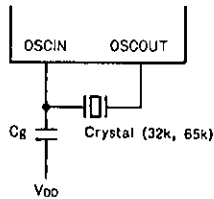


Fig. 2 Crystal Oscillation (32kHz, 65kHz)

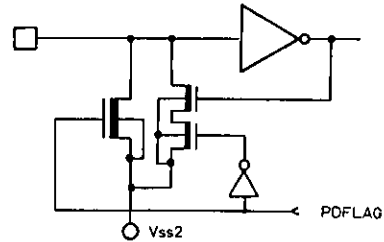


Fig. 3 Input Configuration of S1 to S4, M1 to M4

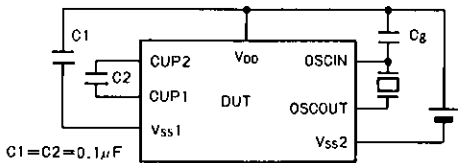


Fig. 4 Supply Current, Oscillation Hold Voltage Test Circuit

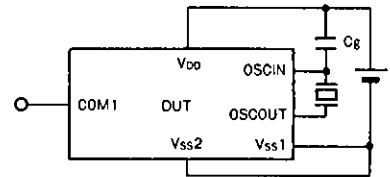


Fig. 5 Oscillation Start Voltage, Oscillation Start Time, Frequency Stability Test Circuit

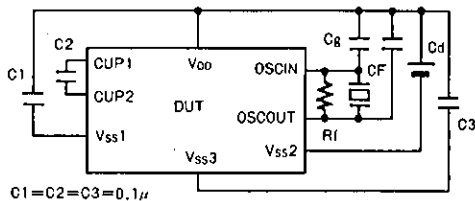


Fig. 6 Oscillation Start Voltage, Oscillation Start Time, Supply Current, Oscillation Hold Voltage Test Circuit

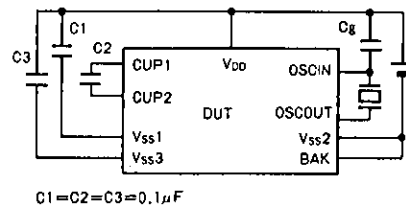


Fig. 7 Supply Current, Oscillation Hold Voltage Test Circuit

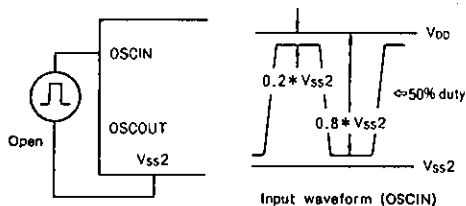


Fig. 8 External Input Mode

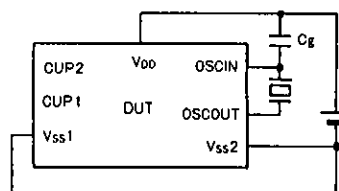


Fig. 9 Supply Current, Oscillation Hold Voltage Test Circuit

LC5851N

Ag Specifications

Absolute Maximum Ratings at $T_a=25^\circ\text{C}$, $V_{DD}=0\text{V}$

Item	Symbol	Condition/Terminal	Rating	unit
Maximum Supply Voltage	VSS1		-4.0 to +0.3	V
	VSS2		-4.0 to +0.3	V
	VSS3	(LCD lighting:1/3bias display)	-5.5 to +0.3	V
	VSS3	(LCD lighting:Other than 1/3bias display)	-4.0 to +0.3	V
Maximum Input Voltage	VIN1	S1-4, M1-4, I/OA1-4, I/OB1-4, INT, TESTA(I/OA1-4, I/OB1-4 are in the input mode.) IOP, OSCIN, RES, BAK	(VSS1 to +0.3 -0.3	V
Maximum Output Voltage	Vout1	ALM, LIGHT, P1-4, I/OA1-4, I/OB1-4, CUP2(I/OA1-4, I/OB1-4 are in the output mode.) TEST, OSCOUT	(VSS1 to +0.3 -0.3	V
	Vout3	SEGOUT, COM1toCOM3, cup1	(VSS3 to +0.3 -0.3	V
Operating Temperature	Topr		-20 to +65	$^\circ\text{C}$
Storage Temperature	Tstg		-30 to +125	$^\circ\text{C}$

Allowable Operating Conditions at $T_a=25\pm 2^\circ\text{C}$, $V_{DD}=0\text{V}$

Item	Symbol	Condition/Terminal	min	typ	max	unit
Supply Voltage	VSS1	$V_{BAK}=V_{SS1}$	-1.65		-1.3	V
	VSS2		-3.3		-2.4	V
	VSS3	(LCD lighting:1/3bias display)	-4.95		-3.7	V
	VSS3	(LCD lighting:Other than 1/3bias display)		$V_{SS3}=V_{SS2}$		V
Input "H"-Level Voltage	VIH	S1-4, M1-4, I/OA1-4, I/OB1-4, INT, (I/OA1-4, I/OB1-4 are in the input mode.)	-0.2		0	V
Input "L"-Level Voltage	VIL	S1-4, M1-4, I/OA1-4, I/OB1-4, INT, (I/OA1-4, I/OB1-4 are in the input mode.)	V_{SS1}		(V_{SS1} +0.2	V
Operating Frequency	fopg	$T_a=-20\text{ to }+65^\circ\text{C}$	32		33	kHz

Electrical Characteristics at $T_a=25\pm 2^\circ\text{C}$, $V_{DD}=0\text{V}$

Item	Symbol	Condition/Terminal	min	typ	max	unit
Input Resistance	RIN1A	$V_{SS1}=-1.55\text{V}$, "L" level hold T_r $V_{IL}=V_{SS1}+0.2\text{V}$ *1, Fig.1	10		200	k Ω
	RIN1B	$V_{SS1}=-1.55\text{V}$, pull-down resistor *1, Fig.1	200		2000	k Ω
	RIN2A	$V_{SS1}=-1.55\text{V}$, pull-up resistor for $V_{IL}=V_{SS1}$ INT	200		2000	k Ω
	RIN2B	$V_{SS1}=-1.55\text{V}$, pull-up resistor for $V_{IH}=V_{DD}$ INT	5		50	k Ω
	RIN3	$V_{SS}=-1.55\text{V}$, pull-down resistor $V_{IH}=V_{DD}$ for RES	5		50	k Ω
Output "H"-Level Voltage	VOH(1)	$V_{SS1}=-1.35\text{V}$, ALM, LIGHT $I_{OH}=-250\mu\text{A}$	-0.65			V
Output "L"-Level Voltage	VOL(1)	$V_{SS1}=-1.35\text{V}$, ALM, LIGHT $I_{OL}=250\mu\text{A}$			(V_{SS1} +0.65	V
Output "H"-Level Voltage	VOH(2)	$V_{SS1}=-1.55\text{V}$, I/OA1-4, I/OB1-4, $I_{OH}=-20\mu\text{A}$, P1-4 (I/OA1-4, I/OB1-4 are in the output mode.)	-0.2			V
Output "L"-Level Voltage	VOL(2)	$V_{SS1}=-1.55\text{V}$, I/OA1-4, I/OB1-4, $I_{OH}=20\mu\text{A}$, P1-4, (I/OA1-4, I/OB1-4 are in the output mode.)			(V_{SS1} +0.2	V

Continued on next page.

LC5851N

Continued from preceding page.

Electrical Characteristics at Ta=25±2°C, VDD=0V

Item	Symbol	Condition/Terminal	min	typ	max	unit
Segment Driver Output Impedance						
●Static Display						
Output "H"-Level Voltage	VOH(3)	VSS1 = -1.55V, SEGOUT IOH = -0.4μA	-0.2			V
Output "L"-Level Voltage	VOL(3)	VSS1 = -1.55V, SEGOUT IOL = 0.4μA			(VSS2 +0.2)	V
Output "H"-Level Voltage	VOH(4)	VSS1 = -1.55V, COM1 IOH = -4 μA	-0.2			V
Output "L"-Level Voltage	VOL(4)	VSS1 = -1.55V, COM1 IOL = 4 μA			(VSS2 +0.2)	V
●Duplex Display (1/2Bias, 1/2Duty)						
Output "H"-Level Voltage	VOH(3)	VSS1 = -1.55V, all SEGOUTs IOH = -0.4μA	-0.2			V
Output "L"-Level Voltage	VOL(3)	VSS1 = -1.55V, all SEGOUTs IOL = 0.4μA			(VSS2 +0.2)	V
Output "H"-level Voltage	VOH(4)	VSS1 = -1.55V, COM1 · COM2 IOH = -4 μA	-0.2			V
Output "M"-Level Voltage	VOM	VSS1 = -1.55V, COM1 · COM2 IOH = -4 μA, IOL = 4 μA	(VSS1 -0.2)		(VSS1 +0.2)	V
Output "L"-Level Voltage	VOL(4)	VSS1 = -1.55V, COM1 · COM2 IOL = 4 μA			(VSS2 +0.2)	V
●1/2Bias, 1/3Duty Display						
Output "H"-Level Voltage	VOH(3)	VSS1 = -1.55V, all SEGOUTs IOH = -0.4μA	-0.2			V
Output "L"-Level Voltage	VOL(3)	VSS1 = -1.55V, all SEGOUTs IOL = 0.4μA			(VSS2 +0.2)	V
Output "H"-Level Voltage	VOH(4)	VSS1 = -1.55V, COM1 · COM2 · COM3 IOH = -4 μA	-0.2			V
Output "M"-Level Voltage	VOM	VSS1 = -1.55V, COM1 · COM2 · COM3 IOH = -4 μA, IOL = 4 μA	(VSS1 -0.2)		(VSS1 +0.2)	V
Output "L"-Level Voltage	VOL(4)	VSS1 = -1.55V, COM1 · COM2 · COM3 IOL = 4 μA			(VSS2 +0.2)	V
●1/3Bias, 1/3Duty Display						
Output "H"-Level Voltage	VOH(3)	VSS1 = -1.55V, all SEGOUTs IOH = -0.4μA	-0.2			V
Output "M1"-Level Voltage	VOM1-3	VSS1 = -1.55V, all SEGOUTs IOH = -0.4μA, IOL = 0.4μA	(VSS1 -0.2)		(VSS1 +0.2)	V
Output "M2"-Level Voltage	VOM2 - 3	VSS1 = -1.55V, all SEGOUTs IOH = -0.4μA, IOL = 0.4μA	(VSS2 -0.2)		(VSS2 +0.2)	V
Output "L"-Level Voltage	VOL(3)	VSS1 = -1.55V, all SEGOUTs IOL = 0.4μA			(VSS3 +0.2)	V
Output "H"-Level Voltage	VOH(4)	VSS1 = -1.55V, COM1 · COM2 · COM3 IOH = -4 μA	-0.2			V
Output "M1"-Level Voltage	VOM1-4	VSS1 = -1.55V, COM1 · COM2 · COM3 IOH = -4 μA, IOL = 4 μA	(VSS1 -0.2)		(VSS1 +0.2)	V
Output "M2"-Level Voltage	VOM2-4	VSS1 = -1.55V, COM1 · COM2 · COM3 IOH = -4 μA, IOL = 4 μA	(VSS2 -0.2)		(VSS2 +0.2)	V
Output "L"-Level Voltage	VOL(4)	VSS1 = -1.55V, COM1 · COM2 · COM3 IOL = 4 μA			(VSS3 +0.2)	V
●CMOS Output Port Mode						
Output "H"-Level Voltage	VOH(3)	VSS1 = -1.55V IOH = -3 μA		-0.3		V
Output "L"-Level Voltage	VOL(3)	VSS1 = -1.55V IOL = 3 μA			(VSS2 +0.3)	V
		Segment PAD No 38to41, 44to61 QIP64 pin No. 11to23, 25to33				

Continued on next page.

LC5851N

Continued from preceding page.

Electrical Characteristics at Ta=25±2°C, VDD=0V

Item	Symbol	Condition/Terminal	min	typ	max	unit
● Output Voltage						
LCD Lighting: 1/3Bias Method						
(doubler)	VSS2	VSS1=-1.35V, fopg=32.768kHz C1toC4=0.1μF Fig.7			-2.5	V
(tripler)	VSS3	VSS1=-1.35V, fopg=32.768kHz C1toC4=0.1μF Fig.7			-3.75	V
LCD Lighting: 1/2Bias Method						
(doubler)	VSS2	VSS1=-1.35V, fopg=32.768kHz C1=C2=0.1μF Fig.2			-2.5	V
● Supply Current (Backup flag is reset.)						
LCD Lighting: 1/3Bias Display	IDD	VSS1=-1.55V, HALT mode C1toC4=0.1μF, CI=25kΩ Fig.7 Cd=Cg=20pF, 32.768kHz X'tal		3.5		μA
LCD Lighting: Other than 1/3Bias Display	IDD	VSS1=-1.55V, HALT mode C1=C2=0.1μF, CI=25kΩ Fig.2 Cd=Cg=20pF, 32.768kHz X'tal		2.0		μA
Oscillation Start Voltage VSS1	Vstt	Cd=Cg=20pF, CI=25kΩ Fig.3 32.768kHz X'tal			1.35	V
Oscillation Hold Voltage VSS1	VHOLD	Cd=Cg=20pF, CI=25kΩ Fig.2 32.768kHz X'tal	1.3		1.6	V
Oscillation Start Time	Tstt	VSS1=-1.35V, CI=25kΩ Fig.3 Cd=Cg=20pF, 32.768kHz X'tal			10	sec
Oscillation Compensation Capacitance	10P 20P	External terminal OSCOUT	8 16	10 20	12 24	pF pF

※1 S1, S2, S3, S4, M1, M2, M3, M4

LC5851N

Li Specifications

Absolute Maximum Ratings at Ta=25±2°C, VDD=0V

Item	Symbol	Condition/Terminal	Rating	unit
Maximum Supply Voltage	Vss1	VBAK=Vss1 or Vss2	-4.0 to +0.3	V
	Vss2		-4.0 to +0.3	V
	Vss3	(LCD lighting:1/3bias display)	-5.5 to +0.3	V
Maximum Input Voltage	Vss3	(LCD lighting:Other than 1/3bias display)	-4.0 to +0.3	V
	Vin1	10p, OSCIN	(VBAK to +0.3 -0.3	V
Maximum Output Voltage	Vin2	S1-4, M1-4, I/OA1-4, I/OB1-4, INT, TESTA(I/OA1-4, I/OB1-4 are in the input mode.)	(Vss2 to +0.3 -0.3	V
	Vout1	TEST, OSCOUT	(VBAK to +0.3 -0.3	V
	Vout2	ALM, LIGHT, P1-4, I/OA1-4, I/OB1-4, CUP2	(Vss2 to +0.3 -0.3	V
Operating Temperature	Vout3	(I/OA1-4, I/OB1-4 are in the output mode.) SEGOUT, COM1toCOM3, CUP1	(Vss3 to +0.3 -0.3	V
	Topr		-20 to +65	°C
Storage Temperature	Tstg		-30 to +125	°C

Allowable Operating Conditions at Ta=25±2°C, VDD=0V

Item	Symbol	Condition/Terminal	min	typ	max	unit
Supply Voltage	VBAK		-3.6		-1.3	V
	Vss2	VBAK=Vss2/2 (Backup flag is reset.)	-3.6		-2.6	V
	Vss2	VBAK=Vss2 (Backup flag is set.)	-3.6		-1.3	V
	Vss3	(LCD lighting:1/3bias display)	-4.95		-3.7	V
Input "H"-Level Voltage	Vss3	(LCD lighting:Other than 1/3bias display)		Vss3=Vss2		V
	Vih	S1-4, M1-4, I/OA1-4, I/OB1-4, INT, (I/OA1-4, I/OB1-4 are in the input mode.)	-0.4		0	V
Input "L"-Level Voltage	Vil	S1-4, M1-4, I/OA1-4, I/OB1-4, INT, (I/OA1-4, I/OB1-4 are in the input mode.)	Vss2		(Vss2 +0.4	V
Operating Frequency	fopg	Ta=-20to+65°C	32		33	kHz

Electrical Characteristics at Ta=25±2°C, VDD=0V

Item	Symbol	Condition/Terminal	min	typ	max	unit
Input Resistance	Rin1A	Vss2=-2.9V, "L" level hold Tr Vil=Vss2+0.4V *1, Fig.4	10		200	kΩ
	Rin1B	Vss2=-2.9V, pull-down resistor *1, Fig.4	200		2000	kΩ
	Rin2A	Vss2=-2.9V, pull-up resistor for INT Vil=Vss2	200		2000	kΩ
	Rin2B	Vss2=-2.9V, pull-down resistor for INT Vih=VDD	200		2000	kΩ
	Rin3	Vss2=-2.9V, pull-down resistor for RES Vih=VDD	5		50	kΩ

Continued on next page.

LC5851N

Continued from preceding page.

Electrical Characteristics at Ta=25±2°C, VDD=0V

Item	Symbol	Condition/Terminal	min	typ	max	unit
Output "H"-Level Voltage	VOH(1)	Vss2=-2.4V, ALM I _{OH} =-250μA	-0.65			V
Output "L"-Level Voltage	VOL(1)	Vss2=-2.4V, ALM I _{OL} =250μA			(Vss2 +0.65)	V
Output "H"-Level Voltage	VOH(2)	Vss2=-2.9V, I/OA1-4, I/OB1-4, I _{OH} =-40μA, P1-4 (I/OA1-4, I/OB1-4 are in the output mode.)	-0.4			V
Output "L"-Level Voltage	VOL(2)	Vss2=-2.9V, I/OA1-4, I/OB1-4, I _{OL} =40μA, P1-4 (I/OA1-4, I/OB1-4 are in the output mode.)			(Vss2 +0.4)	V
Output "H"-Level Voltage	VOH(3)	Vss2=-2.9V, LIGHT I _{OH} =-150μA	-1.5			V
Output "L"-Level Voltage	VOL(3)	Vss2=-2.9V, LIGHT I _{OL} =150μA			(Vss2 +1.5)	V
Segment Driver Output Impedance						
● Static Display						
Output "H"-Level Voltage	VOH(4)	Vss2=-2.9V, all SEGOUTs I _{OH} =-0.4μA	-0.2			V
Output "L"-Level Voltage	VOL(4)	Vss2=-2.9V, all SEGOUTs I _{OL} =0.4μA			(Vss2 +0.2)	V
Output "H"-Level Voltage	VOH(5)	Vss2=-2.9V, COM1 I _{OH} =-4μA	-0.2			V
Output "L"-Level Voltage	VOL(5)	Vss2=-2.9V, COM1 I _{OL} =4μA			(Vss2 +0.2)	V
● Duplex Display (1/2Bias, 1/2Duty)						
Output "H"-Level Voltage	VOH(4)	Vss2=-2.9V, all SEGOUTs I _{OH} =-0.4μA	-0.2			V
Output "L"-Level Voltage	VOL(4)	Vss2=-2.9V, all SEGOUTs I _{OL} =0.4μA			(Vss2 +0.2)	V
Output "H"-Level Voltage	VOH(5)	Vss2=-2.9V, COM1 · COM2 I _{OH} =-4μA	-0.2			V
Output "M"-Level Voltage	VOM	Vss2=-2.9V, COM1 · COM2 I _{OH} =-4μA, I _{OL} =4μA	(Vss2/2 -0.2)		(Vss2/2 +0.2)	V
Output "L"-Level Voltage	VOL(5)	Vss2=-2.9V, COM1 · COM2 I _{OL} =4μA			(Vss2 +0.2)	V
● 1/2Bias, 1/3Duty Display						
Output "H"-Level Voltage	VOH(4)	Vss2=-2.9V, all SEGOUTs I _{OH} =-0.4μA	-0.2			V
Output "L"-Level Voltage	VOL(4)	Vss2=-2.9V, all SEGOUTs I _{OL} =0.4μA			(Vss2 +0.2)	V
Output "H"-Level Voltage	VOH(5)	Vss2=-2.9V, COM1 · COM2 · I _{OH} =-4μA COM3	-0.2			V
Output "M"-Level Voltage	VOM	Vss2=-2.9V, COM1 · COM2 · I _{OH} =-4μA, I _{OL} =4μA COM3	(Vss2/2 -0.2)		(Vss2/2 +0.2)	V
Output "L"-Level Voltage	VOL(5)	Vss2=-2.9V, COM1 · COM2 · I _{OL} =4μA COM3			(Vss2 +0.2)	V
● CMOS Output Port Mode						
Output "H"-Level Voltage	VOH(4)	Vss2=-2.9V Segment I _{OH} =-5μA [PAD No		-0.3		V
Output "L"-Level Voltage	VOL(4)	Vss2=-2.9V [38to41, 44to61 I _{OL} =5μA [FLP64 pin No. 11to23, 25to33]			(Vss2 +0.3)	V

Continued on next page.

LC5851N

Continued from preceding page.

Electrical Characteristics at Ta=25±2°C, VDD=0V

Item	Symbol	Condition/Terminal	min	typ	max	unit
●1/3Bias, 1/3Duty Display						
Output "H"-Level Voltage	VOH(4)	Vss2=-2.9V, all SEGOUTs IOH=-0.4μA	-0.2			V
Output "M1"-Level Voltage	VOM1-4	Vss2=-2.9V, all SEGOUTs IOH=-0.4μA, IOL=0.4μA	(Vss2/2 -0.2		(Vss2/2 +0.2	V
Output "M2"-Level Voltage	VOM2-4	Vss2=-2.9V, all SEGOUTs IOH=-0.4μA, IOL=0.4μA	(Vss2 -0.2		(Vss2 +0.2	V
Output "L"-Level Voltage	VOL(4)	Vss2=-2.9V, all SEGOUTs IOL=0.4μA			(Vss3 +0.2	V
Output "H"-Level Voltage	VOH(5)	Vss2=-2.9V, COM1 · COM2 · IOH=-4 μA COM3	-0.2			V
Output "M1"-Level Voltage	VOM1-5	Vss2=-2.9V, COM1 · COM2 · IOH=-4 μA, IOL=4 μA COM3	(Vss2/2 -0.2		(Vss2/2 +0.2	V
Output "M2"-Level Voltage	VOM2-5	Vss2=-2.9V, COM1 · COM2 · IOH=-4 μA, IOL=4 μA COM3	(Vss2 -0.2		(Vss2 +0.2	V
Output "L"-Level Voltage	VOL(5)	Vss2=-2.9V, COM1 · COM2 · IOL=4 μA COM3			(Vss3 +0.2	V
Output Voltage						
LCD Lighting: 1/3Bias Display						
(halver)	Vss1	Vss2=-2.9V, fopg=32.768kHz C1toC4=0.1μF Fig.8			-1.35	V
(tripler)	Vss3	Vss2=-2.9V, fopg=32.768kHz C1toC4=0.1μF Fig.8			-4.1	V
LCD Lighting: Other than 1/3Bias Display						
(halver)	Vss1	Vss2=-2.9V, fopg=32.768kHz C1=C2=0.1μF Fig.5			-1.35	V
Supply Current (Backup flag is reset.)						
LCD Lighting: 1/3Bias Display	IDD	Vss2=-2.9V, HALT mode C1toC4=0.1μF, CI=25kΩ Fig.8 Cd=Cg=20pF, 32.768kHz X'tal		5.0		μA
LCD Lighting: Other than 1/3Bias Display	IDD	Vss2=-2.9V, HALT mode C1=C2=0.1μF, CI=25kΩ Fig.5 Cd=Cg=20pF, 32.768kHz X'tal		1.0		μA
Oscillation Start Voltage Vss2	Vsttl	VBAK=Vss2, CI=25kΩ Fig.6 Cd=Cg=20pF, 32.768kHz X'tal			1.35	V
Oscillation Hold Voltage Vss2 (Backup flag is reset.)	VHOLD(1)	VBAK=Vss2/2, CI=25kΩ Fig.5 Cd=Cg=20pF, 32.768kHz X'tal	2.6		3.6	V
(Backup flag is set.)	VHOLD(2)	VBAK=Vss2, CI=25kΩ Fig.6 Cd=Cg=20pF, 32.768kHz X'tal	1.3		3.6	V
Oscillation Start Time	Tstt	VBAK=Vss2=-2.9V, CI=25kΩ, Fig.6 Cd=Cg=20pF, 32.768kHz X'tal			10	sec
Oscillation Compensation Capacitance	10P 20P	External terminal OSCOUT	8 16	10 20	12 24	pF pF

※1 S1, S2, S3, S4, M1, M2, M3, M4

Fig. 1 S1-4, M1-4 Input Configuration

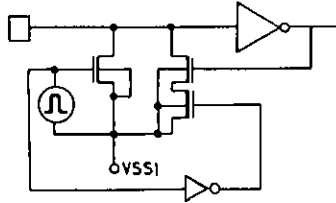


Fig. 3 Oscillation Start Voltage, Oscillation Start Time, Frequency Stability Test Circuit

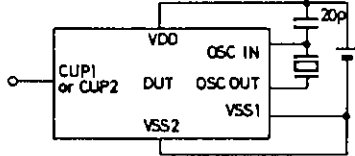


Fig. 5 Supply Current, Oscillation Hold Voltage Test Circuit

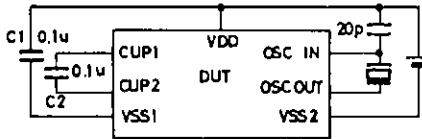


Fig. 7 Supply Current, Oscillation Hold Voltage Test Circuit

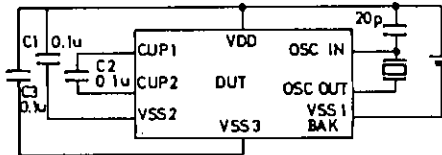


Fig. 9 Supply Current, Oscillation Hold Voltage Test Circuit

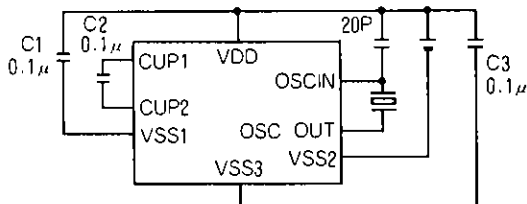


Fig. 2 Supply Current, Oscillation Hold Voltage Test Circuit

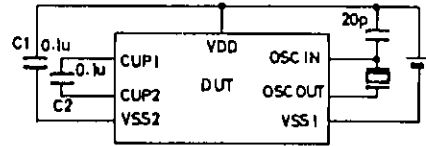


Fig. 4 S1-4, M1-4 Input Configuration

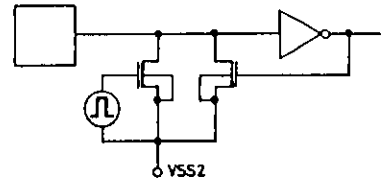


Fig. 6 Oscillation Start Voltage Oscillation Start Time, Frequency Stability Test circuit

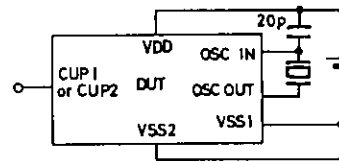


Fig. 8 Supply Current, Oscillation Hold Voltage Test Circuit

