

DATA SHEET

TDA9144

I²C-bus controlled, alignment-free
PAL/NTSC/SECAM decoder/sync
processor with PALplus helper
demodulator

Preliminary specification
File under Integrated Circuits, IC02

1996 Jan 17

I²C-bus controlled, alignment-free PAL/NTSC/SECAM decoder/sync processor with PALplus helper demodulator

TDA9144

FEATURES

- Multi-standard colour decoder and sync processor for PAL, NTSC and SECAM
- PALplus helper demodulator
- PALplus helper blanking and EDTV-2 blanking
- I²C-bus controlled
- I²C-bus addresses hardware selectable
- Pin compatible with TDA9141
- Alignment free
- Few external components
- Designed for use with baseband delay lines
- Integrated video filters
- Adjustable luminance delay
- Noise detector with I²C-bus read-out
- Norm/no_norm detector with I²C-bus read-out
- CVBS or Y/C input, with automatic detection possibility
- CVBS output provided I²C-bus address 8A is used
- Vertical divider system
- Two-level sandcastle signal
- VA synchronization pulse (3-state)
- HA synchronization pulse or clamping pulse CLP input/output
- Line-locked clock output (6.75 MHz or 6.875 MHz) or stand-alone I²C-bus output port
- Stand-alone I²C-bus input/output port
- Colour matrix and fast YUV switch
- Comb filter enable input/output with subcarrier frequency
- Internal bypass mode of external delay line for PALplus and NTSC applications
- Low power standby mode with 3-state YUV outputs
- Fast blanking detector with I²C-bus read-out
- Blanked or unblanked sync on Y_{out} by I²C-bus bit BSY
- internal MACROVISION gating for the horizontal PLL enabled by bus bit EMG.



GENERAL DESCRIPTION

The TDA9144 is an I²C-bus controlled, alignment-free PAL/NTSC/SECAM decoder/sync processor with helper demodulator for PALplus signals and blanking facilities for PALplus and EDTV-2 signals. The TDA9144 has been designed for use with baseband chrominance delay lines, and has a combined subcarrier frequency/comb filter enable signal for communication with a PAL/NTSC comb filter.

The IC can process both CVBS input signals and Y/C input signals. The input signal is available on an output pin, in the event of a Y/C signal, it is added into a CVBS signal.

The sync processor provides a two-level sandcastle, a horizontal pulse (CLP or HA pulse, bus selectable) and a vertical (VA) pulse. When the HA pulse is selected, a line-locked clock (LLC) signal is available at the output port pin (6.75 MHz or 6.875 MHz).

A fast switch can select either the internal Y signal with the UV input signals, or YUV signals made of the RGB input signals. The RGB input signals can be clamped with either the internal or an external clamping signal.

Two pins with an input/output port and an output port of the I²C-bus are available.

The I²C-bus address of the TDA9144 is hardware programmable.

The TDA9144 is pin compatible with the TDA9141 (multistandard decoder/sync processor).

ORDERING INFORMATION

TYPE NUMBER	PACKAGE		
	NAME	DESCRIPTION	VERSION
TDA9144	SDIP32	plastic shrink dual in-line package; 32 leads (400 mil)	SOT232-1

I²C-bus controlled, alignment-free PAL/NTSC/SECAM
decoder/sync processor with PALplus helper demodulator

TDA9144

QUICK REFERENCE DATA

SYMBOL	PARAMETER	CONDITIONS	MIN.	TYP.	MAX.	UNIT
V _{CC}	positive supply voltage		7.2	8.0	8.8	V
I _{CC}	supply current		50	60	70	mA
V _{CVBS(p-p)}	CVBS input voltage (peak-to-peak value)	top sync-white	–	1.0	1.43	V
V _{Y(p-p)}	luminance input voltage (peak-to-peak value)	top sync-white	–	1.0	1.43	V
V _{C(p-p)}	chrominance burst input voltage (peak-to-peak value)		–	0.3	0.6	V
V _{Y(out)}	luminance black-white output voltage		–	1.0	–	V
V _{Y(out)}	luminance PALplus output voltage	black-white	–	0.8	–	V
V _{Y(out)(p-p)}	maximum luminance helper signal output voltage (peak-to-peak value)		–	686	–	mV
V _{U(out)(p-p)}	U output voltage (peak-to-peak value)	standard colour bar	–	1.33	–	V
V _{V(out)(p-p)}	V output voltage (peak-to-peak value)	standard colour bar	–	1.05	–	V
V _{SC(bl)}	sandcastle blanking voltage level		2.2	2.5	2.8	V
V _{SC(clamp)}	sandcastle clamping voltage level		4.2	4.5	4.8	V
V _{VA}	VA output voltage		4.0	5.0	5.5	V
V _{HA}	HA output voltage		4.0	5.0	5.5	V
V _{LLC(p-p)}	LLC output voltage amplitude (peak-to-peak value)		250	500	–	mV
V _{R,G,B(p-p)}	RGB input voltage (peak-to-peak value)	0 to 100% saturation	–	0.7	1.0	V
V _{clamp(I/O)}	clamping pulse input/output voltage		–	5.0	–	V
V _{sub(p-p)}	subcarrier output voltage amplitude (peak-to-peak value)		150	200	300	mV
V _{OPORT}	port output voltage		4.0	5.0	5.5	V

I²C-bus controlled, alignment-free PAL/NTSC/SECAM decoder/sync processor with PALplus helper demodulator

TDA9144

BLOCK DIAGRAM

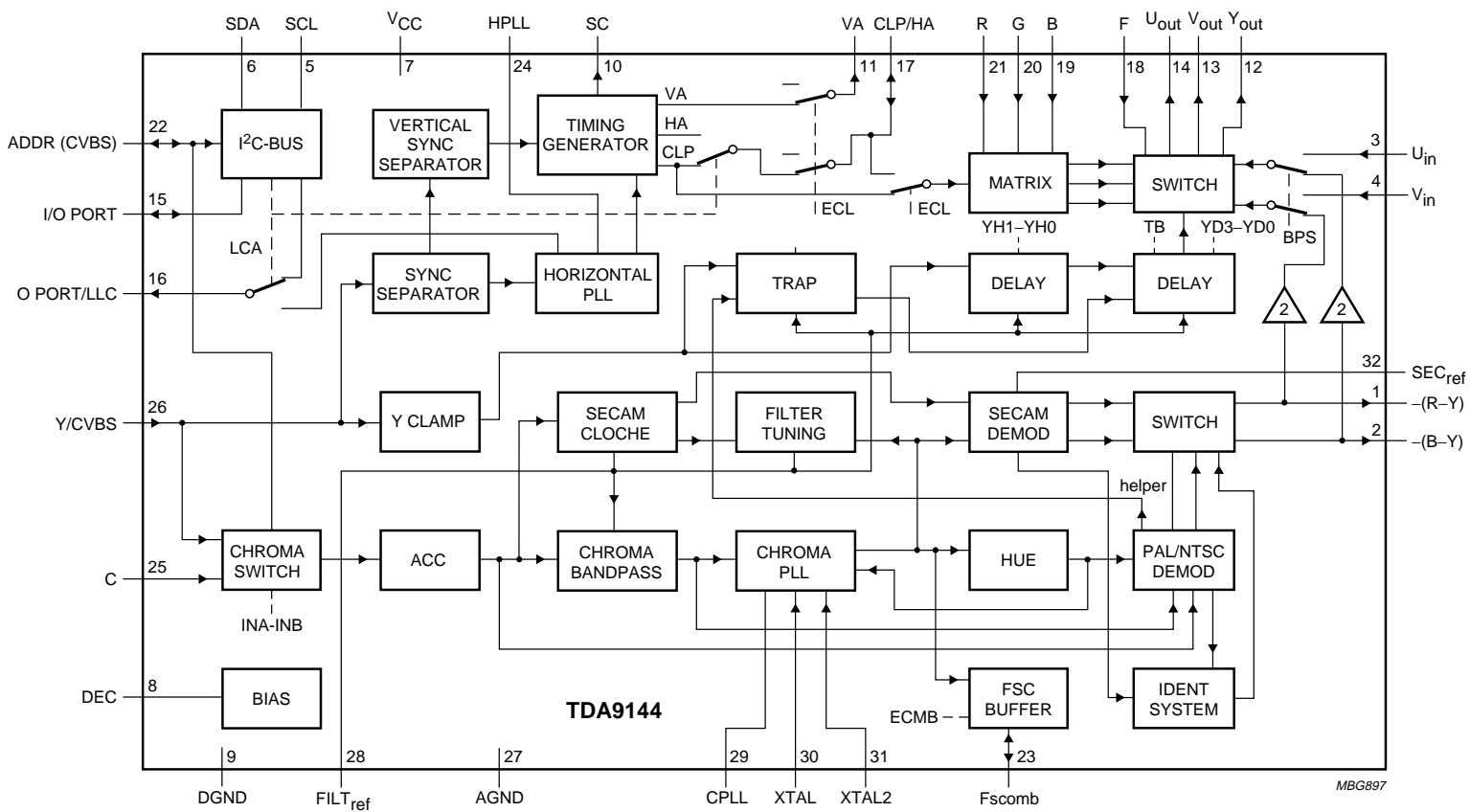


Fig.1 Block diagram.

I²C-bus controlled, alignment-free PAL/NTSC/SECAM decoder/sync processor with PALplus helper demodulator

TDA9144

PINNING

SYMBOL	PIN	DESCRIPTION
-(R-Y)	1	output signal for -(R-Y)
-(B-Y)	2	output signal for -(B-Y)
U _{in}	3	chrominance U input
V _{in}	4	chrominance V input
SCL	5	serial clock input
SDA	6	serial data input/output
V _{CC}	7	positive supply voltage
DEC	8	digital supply decoupling
DGND	9	digital ground
SC	10	sandcastle output
VA	11	vertical acquisition synchronization pulse
Y _{out}	12	luminance output
V _{out}	13	chrominance V output
U _{out}	14	chrominance U output
I/O PORT	15	input/output port
O PORT/LLC	16	output port/line-locked clock output
CLP/HA	17	clamping pulse/HA synchronization pulse input/output
F	18	fast switch select input
B	19	BLUE input
G	20	GREEN input
R	21	RED input
ADDR (CVBS)	22	I ² C-bus address input (CVBS output)
Fscomb	23	comb filter status input/output
HPLL	24	horizontal PLL filter
C	25	chrominance input
Y/CVBS	26	luminance/CVBS input
AGND	27	analog ground
FILT _{ref}	28	filter reference decoupling
CPLL	29	colour PLL filter
XTAL	30	reference crystal input
XTAL2	31	second crystal input
SEC _{ref}	32	SECAM reference decoupling

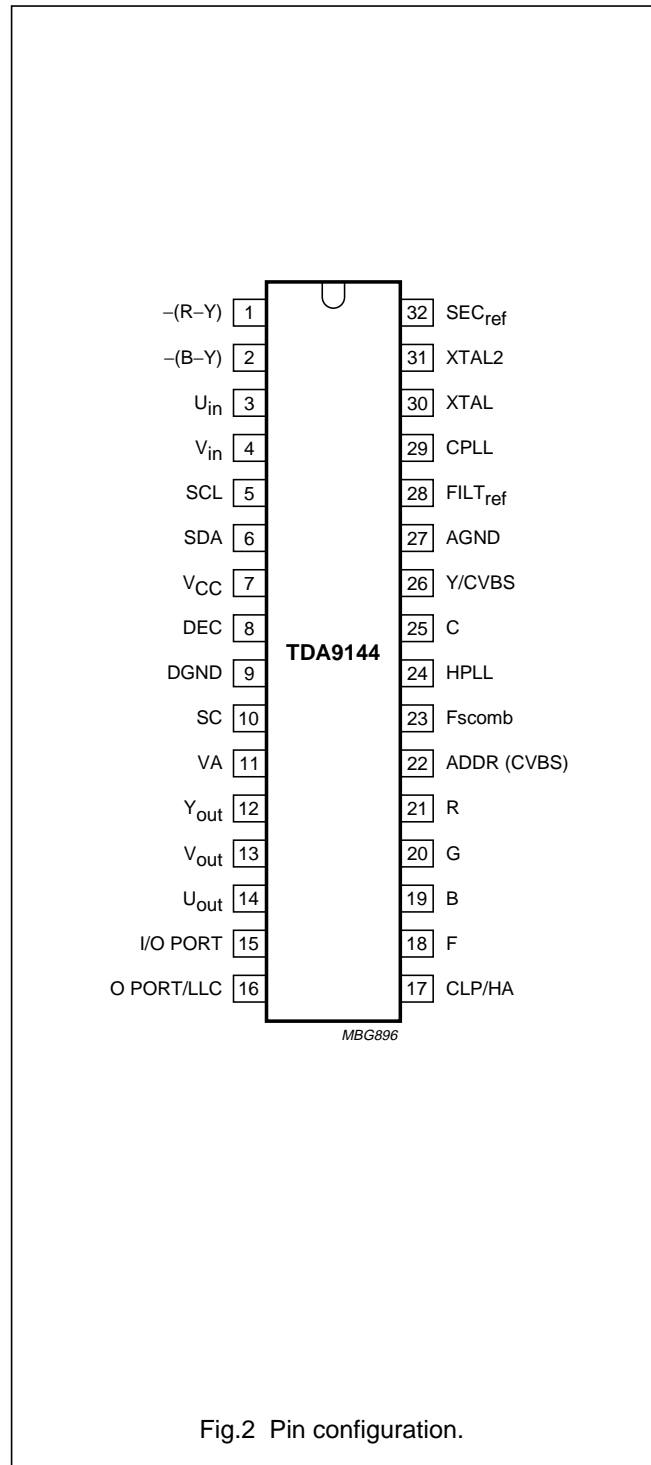


Fig.2 Pin configuration.

I²C-bus controlled, alignment-free PAL/NTSC/SECAM decoder/sync processor with PALplus helper demodulator

TDA9144

FUNCTIONAL DESCRIPTION

The TDA9144 is an I²C-bus controlled, alignment-free PAL/NTSC/SECAM colour decoder/sync processor which has been designed for use with baseband chrominance delay lines. For PALplus signals, helper demodulation and blanking facilities are included; for EDTV-2 (60 Hz) signals only blanking facilities are included.

In the standard operating mode the I²C-bus address is 8A. If the address input is connected to the positive supply rail the address will change to 8E.

Input switch

CAUTION
The voltage on the chrominance pin must never exceed 5.5 V. If it does, the IC enters a test mode.

The TDA9144 has a two pin input for CVBS or Y/C signals which can be selected via the I²C-bus. The input selector also has a position in which it automatically detects whether a CVBS or Y/C signal is on the input. In this input selector position, standard identification first takes place on an added Y/CVBS and C input signal. After that, both chrominance signal input amplitudes are checked once and the input with the strongest chrominance burst signal is selected. The input switch status is read out by the I²C-bus via output bit YC. The auto input detect mode indicates YC = 1 for a VBS input signal (no chrominance component).

CVBS output

In the standard operating mode with I²C-bus address 8A, a CVBS output signal is available on the address pin, which represents either the CVBS input signal or the Y/C input signal, added into a CVBS signal.

RGB colour matrix

CAUTION
The voltage on the U _{in} pin must never exceed 5.5 V. If it does, the IC enters a test mode.

The TDA9144 has a colour matrix to convert RGB input signals into YUV signals. A fast switch, controlled by the signal on pin F and enabled by I²C-bus via EFS (enable fast switch), can select between these YUV signals and the YUV signals of the decoder. Mode FRGB = 1 (forced RGB) overrules EFS and forces the matrixed RGB inputs to the YUV outputs.

The Y signal is internally connected to the switch. The -(R-Y) and -(B-Y) output signals of the decoder first have to be delayed in external baseband chrominance delay lines. The outputs of the delay lines must be connected to the UV input pins. If the RGB signals are not synchronous with the selected decoder input signal, clamping of the RGB input signals is possible by I²C-bus selection of ECL (external RGB clamp mode) and by feeding an external clamping signal to the CLP pin. Also in external RGB clamp mode the VA output will be in a high impedance OFF-state. The YUV outputs can be put in 3-state mode by bus bit LPS (low power standby mode).

Standard identification

The standards which the TDA9144 can decode depend upon the choice of external crystals. If a 4.4 MHz and a 3.6 MHz crystal are used then SECAM, PAL 4.4/3.6 and NTSC 4.4/3.6 can be decoded. If two 3.6 MHz crystals are used then only PAL 3.6 and NTSC 3.6 can be decoded.

Which 3.6 MHz standards can be decoded depends upon the exact frequencies of the 3.6 MHz crystals. In an application where not all standards are required only one crystal is sufficient; in this instance the crystal must be connected to the reference crystal input (pin 30). If a 4.4 MHz crystal is used it must always be connected to the reference crystal input. Both crystals are used to provide a reference for the filters and the horizontal PLL, however, only the reference crystal is used to provide a reference for the SECAM demodulator. To enable the calibrating circuits to be adjusted exactly, two bits from I²C-bus subaddress 00 are used to indicate which crystals are connected to the IC.

The standard identification circuit is a digital circuit without external components. The search loop is illustrated in Fig.3. The decoder (via the I²C-bus) can be forced to decode either SECAM or PAL/NTSC (but not PAL or NTSC). Crystal selection can also be forced. Information concerning standard and which crystal is selected and whether the colour killer is ON or OFF is provided by the read out.

Using the forced-mode does not affect the search loop, it does however, prevent the decoder from reaching or staying in an unwanted state. The identification circuit skips impossible standards (e.g. SECAM when no 4.4 MHz crystal is fitted) and illegal standards (e.g. in forced mode). To reduce the risk of wrong identification PAL has priority over SECAM. Only line identification is used for SECAM. For a vertical frequency of 60 Hz SECAM can be blocked to prevent wrong identification by means of bus bit SAF.

I²C-bus controlled, alignment-free PAL/NTSC/SECAM decoder/sync processor with PALplus helper demodulator

TDA9144

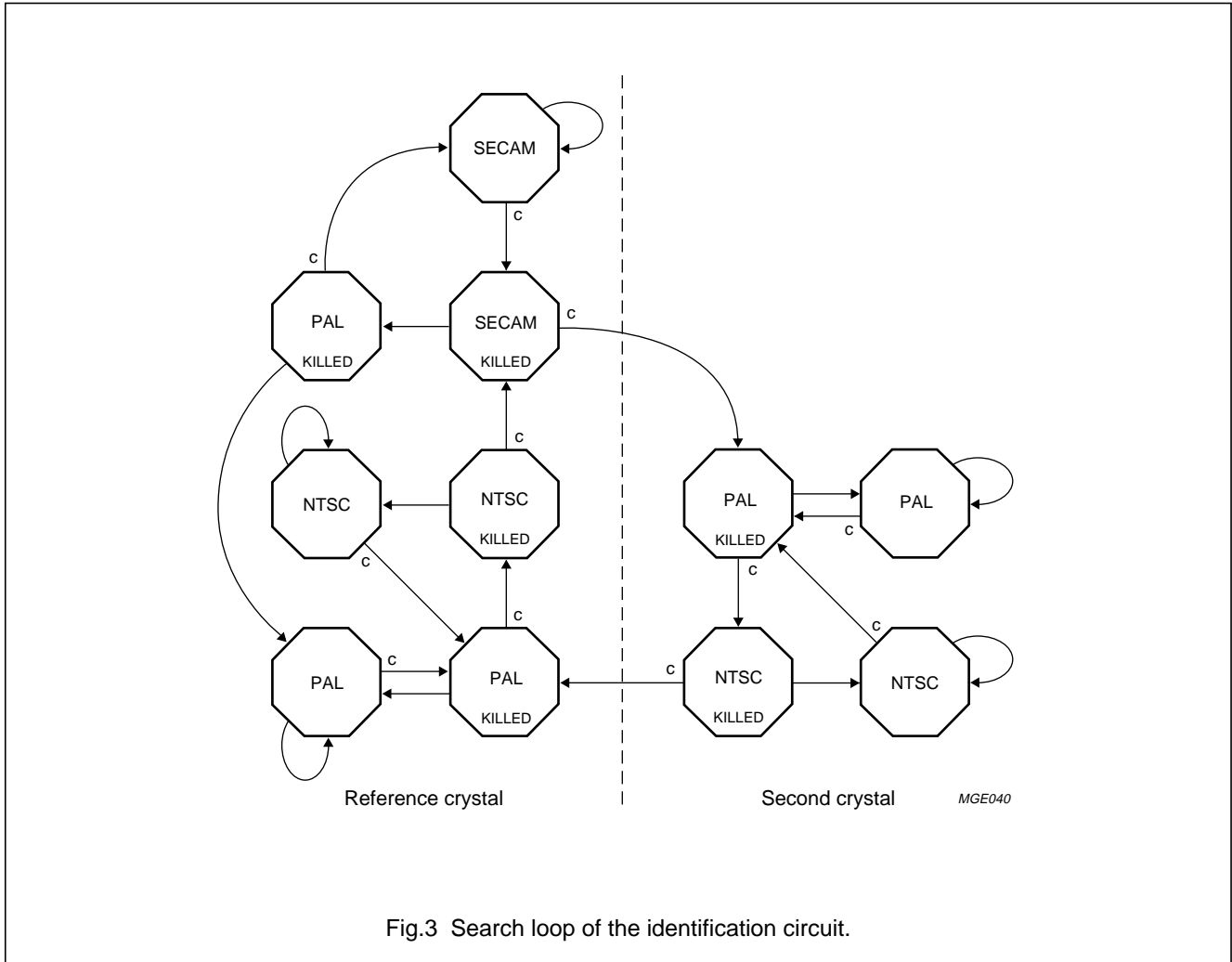


Fig.3 Search loop of the identification circuit.

Integrated filters

All chrominance bandpass and notch filters, including the luminance delay line, are an integral part of the IC. The filters are gyrator-capacitor type filters. The resonant frequency of the filters is controlled by a circuit that uses the active crystal to tune the SECAM Cloche filter during the vertical flyback time. The remaining filters and the luminance delay line are matched to this filter. The filters can be switched to either 4.43 MHz, 4.29 MHz or 3.58 MHz. The switching is controlled by the standard identification circuit. The luminance notch used for SECAM has a lower Q-factor than the notch used for PAL/NTSC. The notches are provided with a little preshoot to obtain a symmetrical step response. In Y/C mode the chrominance notch filters are bypassed, to preserve full signal bandwidth. For a CVBS signal the chrominance notch filters can be bypassed by bus selection of bit TB (trap bypass).

The luminance to helper delay difference can be adjusted by I²C-bus, to achieve a correct fitting for the delay in the PALplus helper demodulation signal path and the luminance path (not for helper only with trap). The delay of the colour difference signals $-(R-Y)$ and $-(B-Y)$ in the chrominance signal path and the external chrominance delay lines when used, can be fitted to the luminance signal delay control via I²C-bus in 40 ns steps.

The typical luminance delay can be calculated:

$$\text{delay} \approx 90 + \overline{\text{SAK}} \cdot \overline{\text{SBK}} \{170 + 40(\overline{\text{FRQ}} \cdot \overline{\text{TB}})\} + 160(\text{YD3}) + 160(\text{YD2}) + 80(\text{YD1}) + 40(\text{YD0}) \text{ [ns].}$$

I²C-bus controlled, alignment-free PAL/NTSC/SECAM decoder/sync processor with PALplus helper demodulator

TDA9144

Colour decoder

The PAL/NTSC demodulator employs an oscillator that can operate with either crystal (3.6 MHz or 4.4 MHz). If the I²C-bus indicates that only one crystal is connected it will always connect to the crystal on the reference crystal input (pin 30). The Hue signal which is adjustable by I²C-bus, is gated during the burst for NTSC signals.

The SECAM demodulator is an auto-calibrating PLL demodulator which has two references. The reference crystal, to force the PLL to the desired free-running frequency and the bandgap reference, to obtain the correct absolute value of the output signal. The VCO of the PLL is calibrated during each vertical blanking period, when the IC is in search mode or SECAM mode.

If the reference crystal is not 4.4 MHz the decoder will not produce the correct SECAM signals. Especially for PALplus and NTSC applications, an internal bypass mode of the external baseband delay line (for instance TDA4665) is added, controlled by bus bit BPS (bypass mode) and has a gain of 2. The bypass mode is not available for SECAM.

Comb filter interfacing

The frequency of the active crystal is fed to the Fscmb output, which can be connected to an external comb filter IC (e.g. SAA4961). When bus bit ECMB is LOW, the subcarrier frequency is suppressed and its DC value is LOW. With ECMB HIGH, the DC value is HIGH with the subcarrier frequency present, and I²C-bus output bit YC and the input switch are always forced in the Y/C mode, unless an external current sink (e.g. from the comb filter) prevents this, as pin Fscmb also acts as input pin. In this event the subcarrier frequency is still present on the same DC HIGH level

PALplus helper demodulation

PALplus has been introduced to come to an evolutionary introduction of wide screen transmissions with backward

compatibility with PAL 4 : 3 TV sets. A PALplus signal has the format of a standard analog PAL composite signal containing 430 PAL picture lines in letter box format (lines 60 to 274 and 372 to 586), together with helper information contained in the black bands above and below the visible letter box area (lines 24 to 59, 336 to 371, 275 to 310, and 587 to 622).

A viewer with a 4 : 3 TV set will see a letter box picture: black bars of $\frac{1}{8}$ picture height at the top as well as at the bottom with a 16 : 9 picture in between (see left-hand side picture of Fig.4).

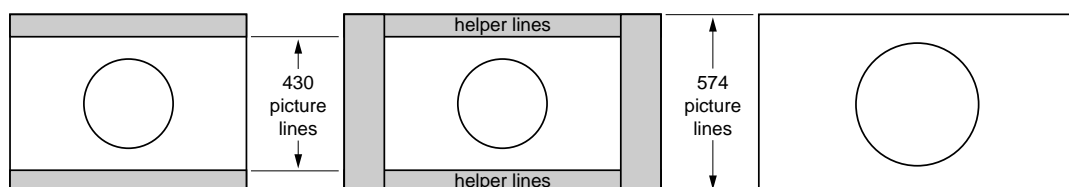
A wide screen viewer without PALplus decoder will only see the centre picture of Fig.4, or the right hand side picture when a zoom option is available, however with only 430 lines of vertical resolution.

When a wide screen viewer has a PALplus decoder, it expands the letter box format to a full-size wide screen picture with a vertical resolution of 574 lines. The decoder uses the helper lines information, hidden within the black bars. See the right-hand side picture of Fig.4.

Furthermore a PALplus signal will deliver full luminance bandwidth by an Y/C separation technique called 'Motion Adaptive Colour Plus' (MACP). Using this technique, the signal becomes free from cross colour and cross luminance. This algorithm requires MACP pre-processing in the PALplus encoder at the studio output.

The PALplus parts which the TDA9144 processes are in short:

- Helper demodulation and multiplexing helper with letter box luminance signal
- Chrominance trap bypassing if necessary
- Creation of reference line 22 (see Fig.5)
- Creation of black set-up and helper set-up
- Correct blanking and timing reference for the necessary post processing ICs.



MBG903

Fig.4 Possible PALplus picture displays.

I²C-bus controlled, alignment-free PAL/NTSC/SECAM decoder/sync processor with PALplus helper demodulator

TDA9144

In case of a PALplus input signal, the standard identification system of the TDA9144 only determines PAL and needs additional I²C-bus information for PALplus, via bus bits MACP, HD, HOB and HBC.

Bus bit MACP determines whether the 4.43 chrominance signal component of the CVBS input signal should be suppressed by a 4.43 trap or not. For MACP = 1 the chrominance suppression takes place outside the TDA9144.

The HD bit (helper demodulation) enables PALplus helper demodulation on the U phase (i.e. the B–Y demodulation axis). As there is only a 4.43 notch for the demodulated helper, an external notch filter is necessary to suppress the 8.86 MHz demodulation product and resolve the baseband helper signal. The demodulated helper luminance signal is always led to a notch filter (4.43 MHz, no bypass here), then multiplexed with the regular 430 letter box lines luminance signal and led to the output Y_{out}. The black level of the luminance signal is internally clamped with a large time constant to the black level generated by the helper demodulator.

Also bus bits HD and MACP determine the presence of a black set-up voltage (with luminance scaling of a factor 0.8) and a helper set-up voltage for the demodulated helper signal on the output signal Y_{out}. These set-up voltages are necessary for PALplus signal post processing outside the TDA9144. The set-up voltages are also multiplexed into a reference line 22, combined with the demodulated helper reference of line 23 and luminance reference of line 623, both present in every PALplus signal for correct PALplus reference post processing (see Fig.5).

Additional helper blanking bits (HOB, HBC) determine whether the helper signal has to be blanked or blanked conditionally depending on the signal-to-noise ratio bit SNR. Helper blanking can only take place on a norm sync signal, indicated by output bit NRM = 1. Table 1 is valid in 50 Hz or 60 Hz mode.

Table 1 Helper blanking modes

HOB	HBC	SNR	HELPER BLANKING
0	X	X	OFF
1	0	X	ON
1	1	0	OFF
1	1	1	ON

For EDTV-2 (system M, 60 Hz, 525 lines) outside the letter box area, blanking is possible and takes place on lines

230 to 312 and 493 to 49⁽¹⁾ when helper blanking is activated.

The TDA9144 can handle PALplus signals in either CVBS or Y/C format. In case of a Y/C signal, the modulated helper must be available on the chrominance input pin (C). The use of the 4.43 trap will not be necessary, as the chrominance and luminance components of a Y/C signal are already separated, so the 4.43 trap for the letter box luminance is bypassed (not for the demodulated helper signal). During helper demodulation, the internal chroma bandpass filter is bypassed.

For PALplus the I²C-bus Hue bits HU0 to HU5 are used to adjust for a correct helper demodulator phase. This has no effect on the R–Y and B–Y demodulator phase for PAL.

Table 2 gives an overview of the possible PALplus modes and their effects in the TDA9144. The table is only valid for a 50 Hz system. In 60 Hz system mode the columns for line 22, 23b and 623a do not exist, and using the MACP and HD bits has no effect on the 60 Hz signal.

- Mode 1 → normal PAL
- Mode 2 → PAL with MACP processing
- Mode 3 → full PALplus
- Mode 4 → PALplus without MACP processing (helper only)
- Mode 5 → near_norm or no_norm sync condition
- Mode 6 → norm sync condition with fast blanking active
- Mode 7 → system ident not identified as PAL.

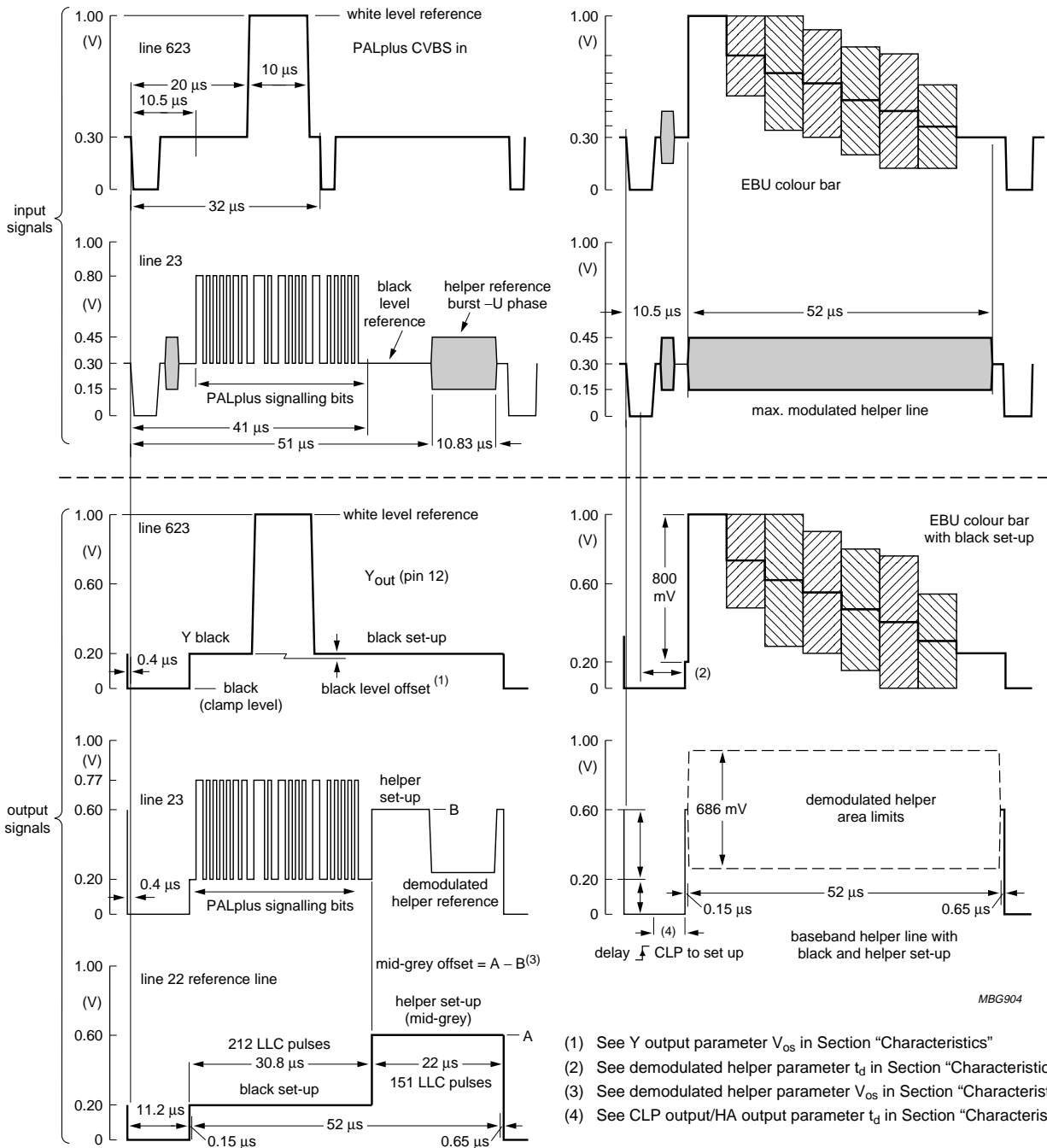
The indications a and b for the lines 22, 23 and 623 respectively stand for the first half and the second half of a line.

The signalling bits in line 23 (see Fig.5) are processed in the same manner as letter box luminance lines in the TDA9144. Signalling bit decoding and PALplus identification is done externally with I²C-bus as communication link to the TDA9144 for bus bits MACP, HD, HOB, and HBC.

(1) For system M the line numbers start with the first equalizing pulse in field 1, but the internal line counter starts counting at the first vertical sync pulse in field 1. This line number notation is used here and in Fig.9.

I²C-bus controlled, alignment-free PAL/NTSC/SECAM decoder/sync processor with PALplus helper demodulator

TDA9144



- (1) See Y output parameter V_{os} in Section "Characteristics"
- (2) See demodulated helper parameter t_d in Section "Characteristics"
- (3) See demodulated helper parameter V_{os} in Section "Characteristics"
- (4) See CLP output/HA output parameter t_d in Section "Characteristics"

Figures drawn when using subaddress 8A and an Y_{delay} of -440 ns.
 LLC frequency equals 6.875 MHz; 440 LLC pulses per horizontal line.
 Demodulated helper shown when using an external 8.8 notch filter.

Fig.5 PALplus CVBS input and Y output signals.

I²C-bus controlled, alignment-free PAL/NTSC/SECAM
decoder/sync processor with PALplus helper demodulator

TDA9144

Table 2 PALplus modes for 50 Hz

MODE	MACP	HD	NRM	FBA	PAL	4.43 TRAP	COMB ENABLE	DELAY LINE	LUMA AMPL (b-w) (V)	BLACK SET-UP ⁽¹⁾ (mV)	HELPER SET-UP ⁽²⁾ (mV)	HELPER LINES	LINE 22	LINE 23b	LINE 623a
1	0	0	1	0	1	TB ⁽³⁾	ECMB	BPS	1	0	0	luma ⁽⁴⁾	black	black	black
2	1	0	1	0	1	bypass	disabled	BPS	0.8	200	0	luma ⁽⁴⁾	set-up	helper ⁽⁵⁾	luma
3	1	1	1	0	1	bypass ⁽⁶⁾	disabled	bypass	0.8	200	400	helper ⁽⁴⁾	set-up	helper	luma
4	0	1	1	0	1	TB ⁽⁷⁾	disabled ⁽⁸⁾	bypass	0.8	200	400	helper ⁽⁴⁾	set-up	helper	luma
5	X	X	0	X	X	TB ⁽³⁾	ECMB	BPS	1	0	0	luma	black	black	luma ⁽⁹⁾
6	X	X	1	1	X	TB ⁽³⁾	ECMB	BPS	1	0	0	luma ⁽⁴⁾	black	black	black
7	X	X	1	X	0	TB ⁽³⁾	ECMB	BPS	1	0	0	luma ⁽⁴⁾	black	black	black

Notes

1. When activated, the black set-up is added to the full frame.
2. When activated, the helper set-up is added to line 22b, 23b, 24 to 59, 275 to 310, 336 to 371, 587 to 622.
3. The 4.43 MHz trap is active in CVBS input mode and TB = 0, otherwise the trap is bypassed.
4. When helper blanking is active (see Table 1) lines 24 to 59, 275 to 310, 336 to 371, 587 to 622 are blanked.
5. Demodulated helper with 400 mV set-up and 4.43 MHz trap active.
6. The 4.43 MHz trap is bypassed during the letter box lines, but activated during helper lines and line 23b to reduce 4.43 MHz rest carrier.
7. The 4.43 MHz trap is active during helper lines and line 23b, during the letter box lines the trap is active when TB = 0.
8. In principle the comb filter should be enabled during letter box lines, when ECMB = 1. It depends on the comb filter if this will be implemented.
9. Line 623a contains luminance in NO_NORM, line 623a is black in a NEAR_NORM sync condition.

I²C-bus controlled, alignment-free PAL/NTSC/SECAM decoder/sync processor with PALplus helper demodulator

TDA9144

Fast blanking detector

For PALplus it is necessary to switch-off PALplus as soon as an external RGB input signal is mixed into a PALplus signal via a switching signal on the fast blanking input (F). To detect the presence of a fast blanking signal, a circuit is added which forces the MACP and HD bit to zero if in more than one line per field a blanking pulse is detected. More than one line per field is chosen to prevent switching-off at every spike detected on the fast blanking input. The detector output FBA (fast blanking active) can be read-out by the I²C-bus.

Blanked/unblanked sync

By means of the I²C-bus bit BSY (blanked sync), output signal Y_{out} will be presented with or without its composite sync part. At BSY = 0 the composite sync is present on Y_{out} . When activated, helper blanking takes place only during helper lines scan. At BSY = 1 the black level is filled in during the line blanking interval and vertical blanking interval. When activated, the helper blanking extends the vertical blanking. For PALplus modes with black set-up no composite sync will be present on Y_{out} , independent of the BSY condition.

Sync processor (ϕ_1 loop)

The main part of the sync circuit is an oscillator running at $440 \times f_H$ (6.875 MHz), provided that I²C-bus address 8A is used or $432 \times f_H$ (6.75 MHz) for 8E. Its frequency is divided by 440 or 432 to lock the ϕ_1 loop to the incoming signal.

The time-constant of the loop can be selected by the I²C-bus (fast, auto or slow). In the fast mode the fast time-constant is chosen independent of signal conditions. In auto mode the medium time-constant is present with a fast time constant during the vertical retrace period ('field boost'). If the noise detector indicates a noisy video signal the time-constant switches to slow with a smaller field boost, which is also the time-constant for the slow mode. In case of a slow time constant sync gating takes place in a 6 μ s window around the separated sync pulse. In case of no sync lock, both the auto and the slow mode have a medium time constant, to ensure reliable catching.

The noise content of the video signal is determined by a noise detector circuit. This circuit measures the noise at top sync during a 15 line period every field (65 lines after start VA pulse). When the noise level supersedes the detector threshold in two consecutive fields, noise is indicated and bus bit SNR is set.

The free-running frequency of the oscillator is determined by a digital control circuit that is locked to the active crystal.

When a power-on-reset pulse is detected the frequency of the oscillator is switched to a frequency of about 10 MHz (23 kHz horizontal frequency) to protect the horizontal output transistor. The oscillator frequency is calibrated to 6.875 MHz or 6.75 MHz after receiving data on subaddress 01 for the first time after power-on-reset detection.

To ensure that this procedure does not fail it is absolutely necessary to send subaddress 00 before subaddress 01. Subaddress 00 contains the crystal indication bits and when subaddress 01 is received the line oscillator calibration will be initiated (for the start-up procedure after power-on-reset detection, see the I²C-bus protocol). The calibration is terminated when the oscillator frequency reaches 6.875 MHz or 6.75 MHz.

The ϕ_1 loop can be opened using the I²C-bus. This is to facilitate On Screen Display (OSD) information. If there is no input signal or a very noisy input signal, the ϕ_1 loop can be opened to provide a stable line frequency, and thus a stable picture.

The sync part also delivers a two-level sandcastle signal, which provides a combined horizontal and vertical blanking signal and a clamping pulse for the display section of the TV.

MACROVISION sync gating

A dedicated gating signal for the separated sync pulses, starting 11 lines after the detection of a vertical sync pulse until picture scan starts, can be used to improve the behaviour of the horizontal PLL with respect to the unwanted disturbances caused by the pseudo-sync pulses in video signals with MACROVISION anti-copy guard signals. This sync gating excludes the pseudo-sync pulses and can only take place in the auto and fast ϕ_1 time constant mode, provided I²C-bus bit SNR = 0 and I²C-bus

I²C-bus controlled, alignment-free PAL/NTSC/SECAM decoder/sync processor with PALplus helper demodulator

TDA9144

bit EMG = 1. I²C-bus bit EMG = 1 enables and EMG = 0 disables this sync gating in the horizontal PLL.

Vertical divider system

The vertical divider system has a fully integrated vertical sync separator. The divider can accommodate both 50 Hz and 60 Hz systems; it can either determine the field frequency automatically or it can be forced to the desired system via the I²C-bus. A block diagram of the vertical divider system is illustrated in Fig.6.

The divider system operates at twice the horizontal frequency. The line counter receives enable pulses at this frequency, thereby counting two pulses per line. A state diagram of the controller is shown in Fig.7. Because it is symmetrical only the right-hand part will be described.

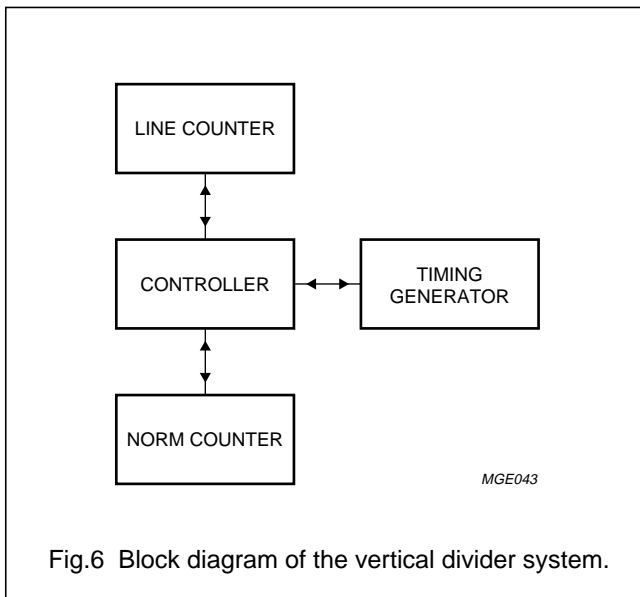


Fig.6 Block diagram of the vertical divider system.

Depending on the previously found vertical frequency, the controller will be in one of the COUNT states. When the line counter has counted 488 pulses (i.e. 244 lines of the video input signal), the controller will move to the next state depending on the output of the norm counter. This can be either NORM, NEAR_NORM or NO_NORM, depending on the position of the vertical sync pulse in the previous fields. When the controller is in the NORM state it generates the vertical sync pulse (VSP) automatically and then, when the line counter is at LC = 626, moves to the WAIT state. In this condition it waits for the next pulse of the double line frequency signal, and then moves to the COUNT state of the current field frequency.

When the controller returns to the COUNT state, the line counter will be reset half a line after the start of the vertical sync pulse of the video input signal. The NORM window normally looks within one line width and a sudden half line delay of the vertical sync pulse change can therefore be neglected, but for PALplus conditions every half line shift of the vertical sync pulse must be detected. In this case a half line window is used.

When the controller is in the NEAR_NORM state it will move to the COUNT state if it detects the vertical sync pulse within the NEAR_NORM window (i.e. 622 < LC < 628). If no vertical sync pulse is detected the controller will move back to the COUNT state when the line counter reaches LC = 628. The line counter will then be reset.

When the controller is in the NO_NORM state, it will move to the COUNT state when it detects a vertical sync pulse and reset the line counter. If a vertical sync pulse is not detected before LC = 722 (if the φ₁ loop is locked, even in forced mode) it will move to the COUNT state and reset the line counter. If the φ₁ loop is not locked the controller will return to the COUNT state when LC = 628.

The forced mode option keeps the controller in either the left-hand side (60 Hz) or the right-hand side (50 Hz) of the state diagram.

Figure 8 illustrates the state diagram of the norm counter which is an up/down counter that increases its counter value by 1 if it finds a vertical sync pulse within the selected window. If not it decreases the counter value by 1 (or 2, see Fig.8). In the NEAR_NORM and NORM states the first correct vertical sync pulse after one or more incorrect vertical sync pulses is processed as an incorrect pulse. This procedure prevents the system from staying in the NEAR_NORM or NORM state if the vertical sync pulse is correct in the first field and incorrect in the second field.

In case of no sync lock (SLN = 1) the norm counter is reset to NO_NORM (wide search window), for fast vertical catching when switching between video sources. Fast switching between different channels however can still result in a continuous horizontal sync lock situation, when the channel is changed before the norm counter has reached the NORM state. To provide faster vertical catching in this case, measures have been taken to prevent the norm counter to count down to zero before reaching the NO_NORM state (see left-hand of Fig.8). Bus bit FWW (forced wide window) enables the norm counter to stay in the NO_NORM state if desired. The norm/no_norm status is read out by bus bit NRM.

I²C-bus controlled, alignment-free PAL/NTSC/SECAM decoder/sync processor with PALplus helper demodulator

TDA9144

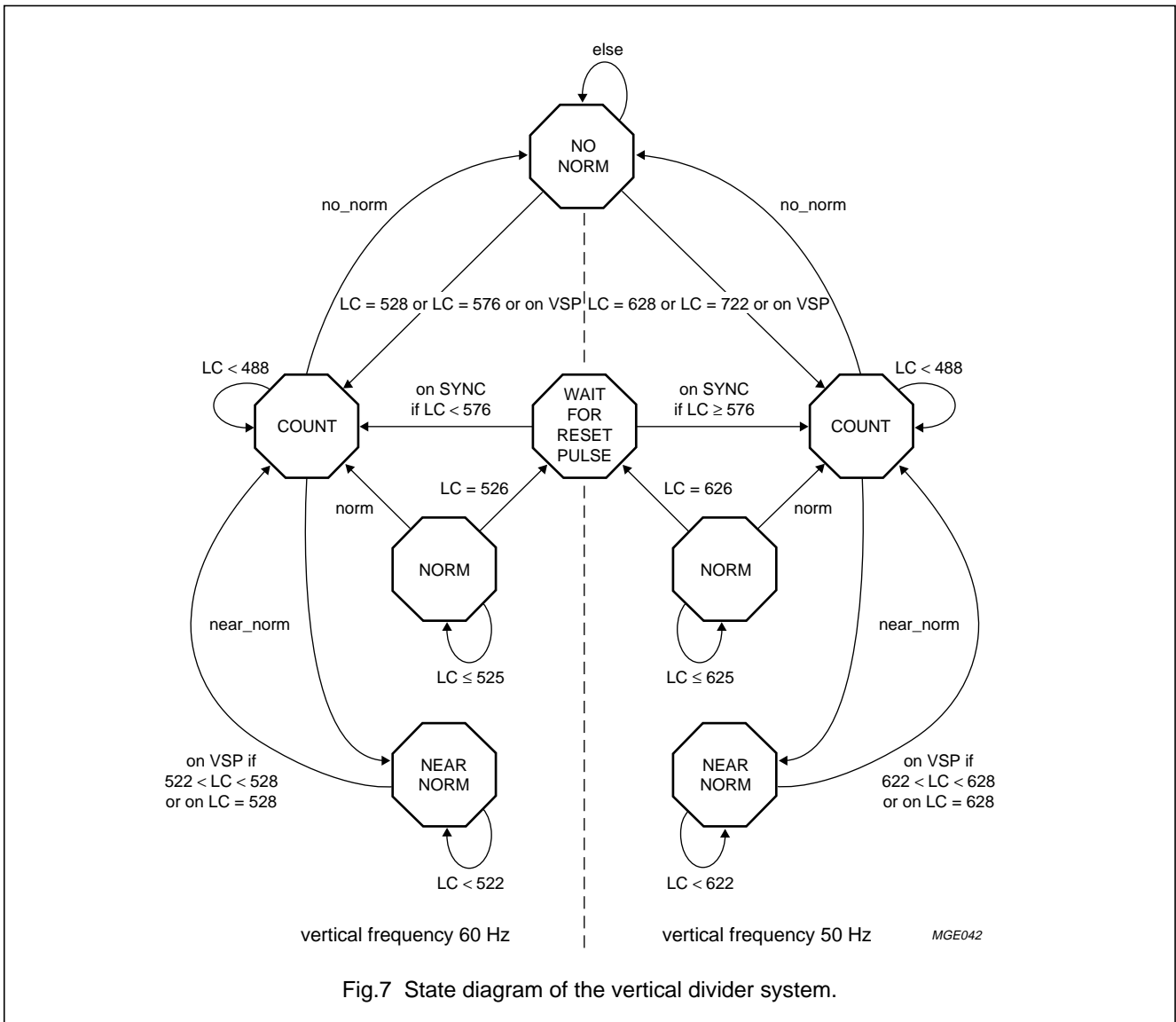
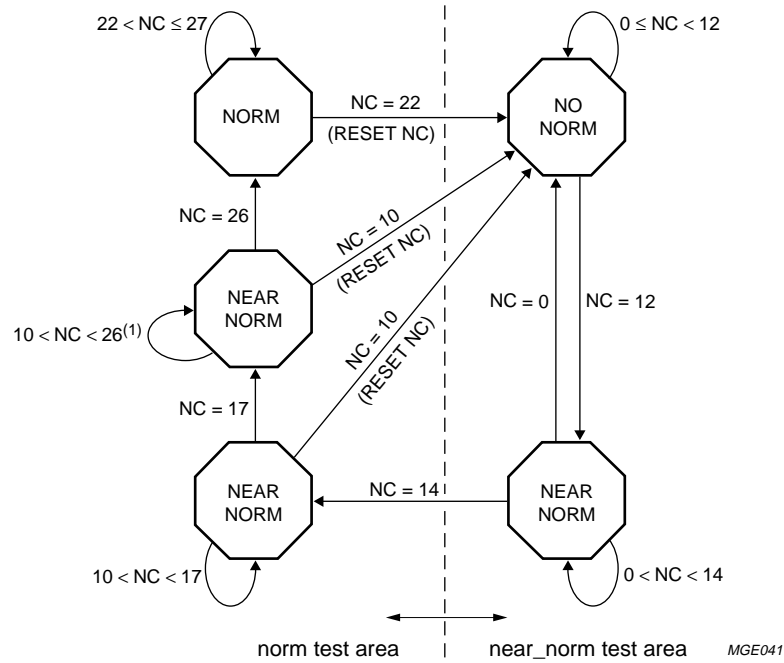


Fig.7 State diagram of the vertical divider system.

I²C-bus controlled, alignment-free PAL/NTSC/SECAM decoder/sync processor with PALplus helper demodulator

TDA9144



(1) VSP found: count 1 up; no VSP found: count 2 down.

Fig.8 State diagram of the norm counter.

I²C-bus controlled, alignment-free PAL/NTSC/SECAM decoder/sync processor with PALplus helper demodulator

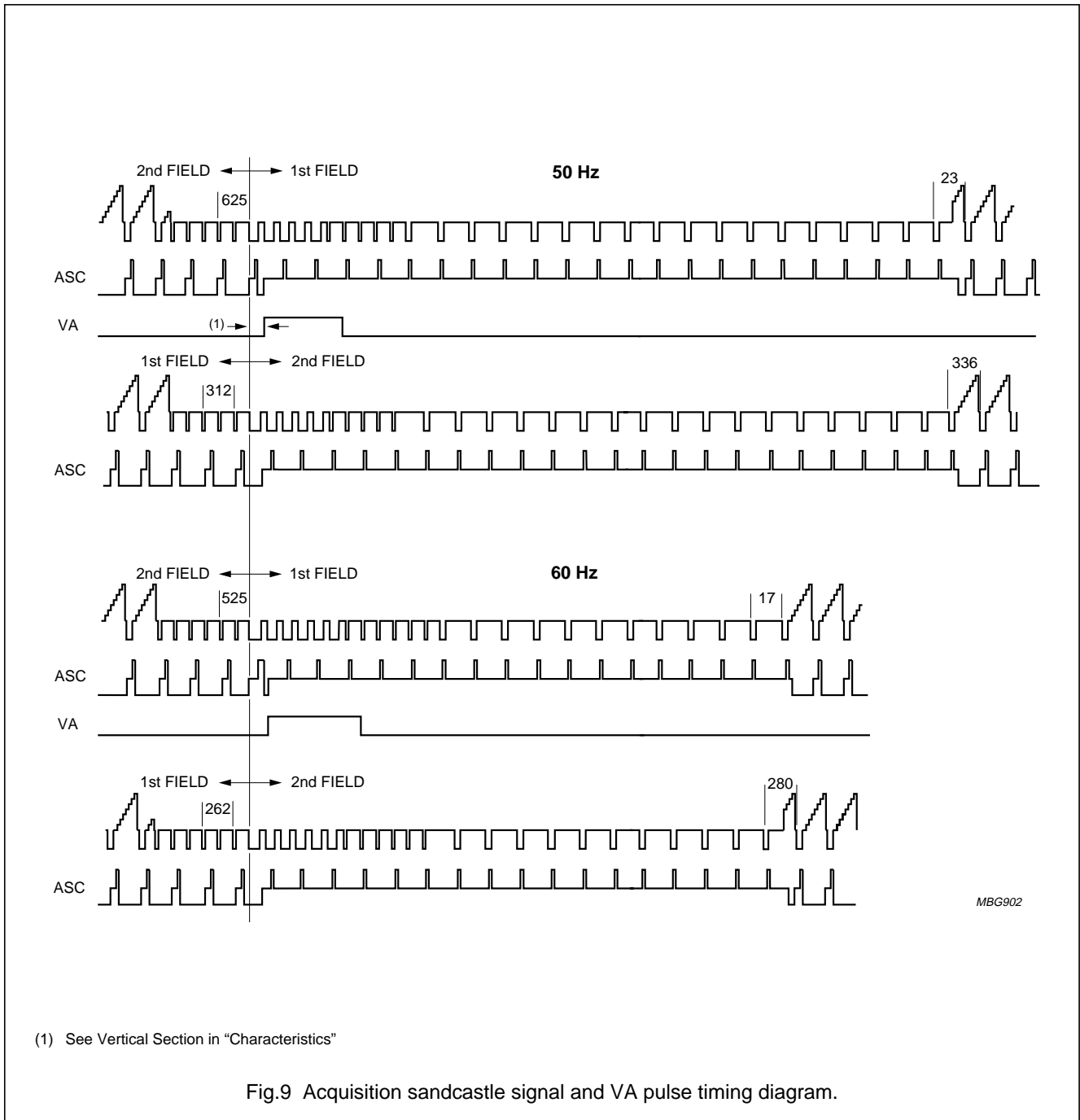
TDA9144

Output port and in/output port

Two stand-alone ports are available for external use. These ports are I²C-bus controlled, the output port by bus bit OPB and the input/output port by bus bit OPA. Bus bit OPA is an open-drain output, to enable input port functionality. The pin status is read out by bus via output bit IP.

Sandcastle

Figure 9 illustrates the timing of the acquisition sandcastle (ASC) and the VA pulse with respect to the input signal. The sandcastle signal is according to the two-level 5 V sandcastle format. An external vertical guard current can overrule the sink current to enable blanking purposes.



I²C-bus controlled, alignment-free PAL/NTSC/SECAM decoder/sync processor with PALplus helper demodulator

TDA9144

I²C-bus

For address 8A, an unconnected pin 22 is sufficient as this pin is also a CVBS output. Do not short-circuit the input to ground. If the address input is connected to the positive supply rail, the address changes from 8A to 8E.

Table 3 Slave address (8A)

SLAVE ADDRESS	A6	A5	A4	A3	A2	A1	A0	R/W
8A	1	0	0	0	1	X	1	X

Valid subaddresses: 00 to 03 and 17 to 18 (Hex).

Only the five least significant bits of the subaddress bytes are recognized. Auto-increment mode available for subaddresses. The output addresses 00 and 01 can only be read in auto-increment mode. The I²C-bus transceiver is designed for a maximum clock frequency (f_{SCL}) of 100 kHz.

Table 4 Input bytes

SUB ADDRESS	DATA BYTE							
	MSB							LSB
	D7	D6	D5	D4	D3	D2	D1	D0
00	INA	INB	TB	ECMB	FOA	FOB	XA	XB
01	FORF	FORS	OPA	OPB	POC	FM	SAF	FRQF
02	EFS	ECL	HU5	HU4	HU3	HU2	HU1	HU0
03	LCA	FWW	–	–	–	–	–	–
.
17	MACP	HD	HOB	HBC	BSY	YH2	YH1	–
18	BPS	LPS	FRGB	EMG	YD3	YD2	YD1	YD0

Table 5 Output (status) bytes

OUTPUT ADDRESS	D7	D6	D5	D4	D3	D2	D1	D0
00	POR	FSI	YC	SL	IP	SAK	SBK	FRQ
01	–	–	–	FBA	NRM	SNR	SXA	SXB

Start up procedure: read the status byte until POR = 0; send subaddress 18 with the LPS bit indicating normal operation (LPS = 0); send subaddress 00 with the crystal indicator bits (XA and XB) indicating that only one crystal is connected to the IC⁽¹⁾; wait for 50 ms; send subaddress 01; wait for at least 50 ms; set XA,XB to the actual crystal configuration.

Each time before the data in the IC is refreshed, the status byte must be read. If POR = 1, then the above procedure must be carried out to restart the IC. As long as POR = 1, sending subaddress 01 does not start the line oscillator calibration. POR is reset when the status register is read out and can only be reset when the supply voltages exceed the POR detection levels mentioned in the Bias Generator characteristics (see Chapter "Characteristics").

Failure to stick to the above procedure may result in an incorrect horizontal frequency after power-up or a power-dip.

Remark: if the presence of output signals HA/CLP and/or VA is required after power-up of the IC, subaddress 02 with the ECL bit indicating ECL = 0 must be sent before sending subaddress 00.

(1) To be absolutely sure that the line oscillator is calibrated with the appropriate crystal frequency data, it is possible to check the received values of the crystal indication bits via status bits SXA and SXB.

I²C-bus controlled, alignment-free PAL/NTSC/SECAM decoder/sync processor with PALplus helper demodulator

TDA9144

INPUT SIGNALS**Table 6** Source select; note 1

INA	INB	SOURCE
0	0	CVBS
0	1	YC
1	–	auto CVBS / YC

Note

- When ECMB = 1 and no current is drawn from the Fscmb pin, source select is forced to be YC.

Table 7 Trap bypass; note 1

TB	CONDITION
0	trap not bypassed
1	trap bypassed

Note

- The chrominance trap is always bypassed in YC mode or when MACP = 1.

Table 8 Comb filter enable; note 1

ECMB	CONDITION
0	comb filter disabled
1	comb filter enabled

Note

- MACP = 1 or HD = 1 always enforces ECMB = 0.

Table 9 ϕ_1 time constant

FOA	FOB	MODE
0	0	auto
0	1	slow
1	–	fast

Table 10 Crystal indication

XA	XB	CRYSTAL
0	0	2 × 3.6 MHz
0	1	1 × 3.6 MHz
1	0	1 × 4.4 MHz
1	1	1 × 3.6 MHz and 1 × 4.4 MHz

Table 11 Forced field frequency

FORF	FORS	FIELD FREQUENCY
0	0	auto; 60 Hz if no lock
0	1	60 Hz
1	0	50 Hz
1	1	auto; 50 Hz if no lock

Table 12 Output value I/O port

OPA	LEVEL
0	LOW
1	HIGH

Table 13 Output value O port

OPB	LEVEL
0	LOW
1	HIGH

Table 14 ϕ_1 loop control

POC	CONDITION
0	ϕ_1 loop closed
1	ϕ_1 loop open

Table 15 Forced standard; note 1

FM	SAF	FRQF	STANDARD
0	–	–	auto search
1	0	0	PAL/NTSC second crystal
1	0	1	PAL/NTSC reference crystal
1	1	0	black and white
1	1	1	SECAM reference crystal

Note

- If XA and XB indicate that only one crystal is connected to the IC and FM and FRQF force it to use the second crystal, then colour will be switched off. When SAF = 0, SECAM 60 Hz is disabled; when SAF = 1, SECAM 60 Hz is enabled.

Table 16 Enable fast switch

EFS	CONDITION
0	fast switch disabled
1	fast switch enabled, when FRGB = 0

I²C-bus controlled, alignment-free PAL/NTSC/SECAM decoder/sync processor with PALplus helper demodulator

TDA9144

Table 17 External RGB clamp mode

ECL	CONDITION
0	off; internal clamp pulse is used
1	on; external clamp pulse has to be supplied to CLP pin

Table 18 Forced RGB mode

FRGB	CONDITION
0	YUV, when disabled via EFS
1	forced RGB

Table 19 YUV outputs as a function of EFS, FRGB and Fast switch F

EFS	FRGB	F	SELECTED INPUTS
0	0	–	YUV
–	1	–	RGB
1	0	0	YUV
1	0	1	RGB

Table 20 Hue

FUNCTION	ADDRESS	DIGITAL NUMBER
Hue	HU5 to HU0	000000 = –45°
		111111 = +45°

Table 21 Line-locked clock active

LCA	CONDITION
0	OPB/CLP mode
1	LLC/HA mode

Table 22 Forced wide window

FWW	CONDITION
0	auto window mode
1	forced wide window

Table 23 Motion Adaptive Colour Plus; note 1

MACP	CONDITION
0	internal 4.43 notch used
1	external MACP chrominance filtering used, 4.43 notch bypassed, black set-up 200 mV

Note

1. Black set-up will only be present in a norm sync condition.

Table 24 PALplus helper demodulator active; note 1

HD	CONDITION
0	off
1	on, PALplus mode with helper set-up 400 mV and black set-up 200 mV

Note

1. Black set-up and helper set-up will only be present in a norm sync condition.

Table 25 PALplus/EDTV-2 helper blanking (Y, U, V)

HOB	HBC	SNR	BLANKING
0	–	–	off
1	0	–	on
1	1	0	off
1	1	1	on

Table 26 Blanked sync on Y_{out}

BSY	CONDITION
0	unblanked sync; note 1
1	blanked sync

Note

1. Except for PALplus with black set-up.

Table 27 Luminance to helper delay control

YH2 to YH1	CONDITION
00	–20 ns
11	+25 ns

Table 28 Baseband delay line bypass; note 1

BPS	CONDITION
0	no bypass
1	baseband delay line bypassed

Note

1. When HD = 1 the baseband delay line is forced into bypass mode. SECAM cannot be bypassed.

Table 29 Low power standby mode

LPS	CONDITION
0	normal operation
1	low power standby

I²C-bus controlled, alignment-free PAL/NTSC/SECAM decoder/sync processor with PALplus helper demodulator

TDA9144

Table 30 Enable MACROVISION gating

EMG	CONDITION
0	disable gating
1	enable gating

Table 31 Luminance delay control

YD3 to YD0	CONDITION
0000	-280 ns
1111	+160 ns

OUTPUT SIGNALS**Table 32** Power-on reset

POR	CONDITION
0	normal mode
1	power-down mode

Table 33 Field frequency indication

FSI	CONDITION
0	50 Hz
1	60 Hz

Table 34 Input switch mode

YC	CONDITION
0	CVBS mode
1	Y/C mode

Table 35 ϕ_1 lock indication

SL	CONDITION
0	not locked
1	locked

Table 36 Input value I/O port

IP	LEVEL
0	LOW
1	HIGH

Table 37 Standard read-out

SAK	SBK	FRQ	STANDARD
0	0	0	PAL second crystal
0	0	1	PAL reference crystal
0	1	0	NTSC second crystal
0	1	1	NTSC reference crystal
1	0	0	illegal forced mode
1	0	1	SECAM reference crystal
1	1	-	colour off

Table 38 Fast blanking active

FBA	CONDITION
0	no fast blanking detected
1	fast blanking detected

Table 39 Norm/no_norm indication in vertical divider system

NRM	CONDITION
0	no_norm or near_norm
1	norm

Table 40 Signal-to-noise ratio

SNR	CONDITION
0	S/N > 20 dB
1	S/N < 20 dB

Table 41 Crystal indication read-out

SXA	SXB	CRYSTAL
0	0	2 × 3.6 MHz
0	1	1 × 3.6 MHz
1	0	1 × 4.4 MHz
1	1	1 × 3.6 MHz and 1 × 4.4 MHz

**I²C-bus controlled, alignment-free PAL/NTSC/SECAM
decoder/sync processor with PALplus helper demodulator**

TDA9144

LIMITING VALUES

In accordance with the Absolute Maximum Rating System (IEC 134).

SYMBOL	PARAMETER	CONDITIONS	MIN.	TYP.	MAX.	UNIT
V _{CC}	supply voltage		–	–	9.0	V
I _{CC}	supply current		–	–	70	mA
P _{tot}	total power dissipation		–	–	630	mW
T _{stg}	storage temperature		–55	–	+150	°C
T _{amb}	operating ambient temperature		–10	–	+70	°C

THERMAL CHARACTERISTICS

SYMBOL	PARAMETER	VALUE	UNIT
R _{th j-a}	thermal resistance from junction to ambient in free air	48	K/W

QUALITY SPECIFICATION

Quality level in accordance with “SNW-FQ-611-E” is applicable for ESD protection, human body model: ±3000 V, 100 pF, 1500 Ω on all pins. Machine model: ±300 V, 200 pF, 0 Ω on all pins. The number of the quality specification can be found in the “Quality Reference Handbook”. The handbook can be ordered using the code 9397 750 00192.

I²C-bus controlled, alignment-free PAL/NTSC/SECAM decoder/sync processor with PALplus helper demodulator

TDA9144

CHARACTERISTICS

$V_{CC} = 8\text{ V}$; $T_{amb} = 25\text{ °C}$; I²C-bus address 8A; unless otherwise specified.

SYMBOL	PARAMETER	CONDITIONS	MIN.	TYP.	MAX.	UNIT
Supply (pin 7)						
V_{CC}	supply voltage		7.2	8.0	8.8	V
I_{CC}	supply current		50	60	70	mA
P_{tot}	total power dissipation		360	480	620	mW
I_{CC}	low power supply current		12	16	22	mA
Input switch						
Caution: the voltage on pin 25 must never exceed 5.5 V, if it does, the IC enters a test mode						
Y/CVBS INPUT (PIN 26)						
$V_{i(p-p)}$	input voltage (peak-to-peak value)	top sync-white	–	1.0	1.43	V
Z_i	input impedance		60	–	–	k Ω
C_i	input capacitance		–	–	5	pF
$I_{i(bias)}$	input bias current		–	3.3	–	μ A
C INPUT (PIN 25)						
$V_{i(p-p)}$	input burst voltage (peak-to-peak value)		–	0.3	0.6	V
Z_i	input impedance		60	–	–	k Ω
C_i	input capacitance		–	–	5	pF
CVBS OUTPUT (PIN 22); ONLY FOR ADDRESS 8A						
$V_{o(p-p)}$	output voltage (peak-to-peak value)	top sync-white	–	1.0	–	V
Z_o	output impedance		–	–	500	Ω
B	bandwidth at –3 dB	$C_L = 15\text{ pF}$	7	–	–	MHz
V_{tsl}	top-sync voltage level		2.2	2.8	3.4	V
Bias generator (pin 8)						
$V_{D(DEC)}$	digital supply voltage		4.8	5.0	5.2	V
$V_{det(CC)}$	POR detection level for power supply		5.7	6.0	6.3	V
$V_{det(DEC)}$	POR detection level for DEC pin		4.0	4.3	4.6	V
$I_{L(DEC)}$	current load on digital supply	sum of pins 8, 11, 16, 17	–	–	2.0	mA
Subcarrier regeneration						
GENERAL; note 1						
CR	catching and holding range reference crystal		± 500	–	–	Hz
	second crystal		± 450	–	–	Hz
φ	phase shift for 80% deviation of catching range		–	–	5	deg
Z_i	input impedance reference crystal and second crystal		0.80	1.00	1.20	k Ω

I²C-bus controlled, alignment-free PAL/NTSC/SECAM
decoder/sync processor with PALplus helper demodulator

TDA9144

SYMBOL	PARAMETER	CONDITIONS	MIN.	TYP.	MAX.	UNIT
FSCOMB OUTPUT (PIN 23)						
V _{sub(p-p)}	subcarrier output voltage amplitude (peak-to-peak value)	C _L = 15 pF	150	200	300	mV
V _{cen}	comb enable voltage level		4.0	4.2	5.0	V
V _{cdis}	comb disable voltage level		–	0.1	1.4	V
I _{sink}	sink current to undo forced Y/C mode of input switch		0.4	–	1.0	mA
R _{GND}	value of grounded resistor to undo forced Y/C mode of input switch		4	–	10	kΩ
ACC						
	ACC control range		–20	–	+6	dB
	change of –(R–Y) and –(B–Y) signals over range		–	–	1	dB
	colour killer treshold					
	PAL/NTSC		–34	–31	–28	dB
	SECAM		–31	–28	–25	dB
	kill/unkill hysteresis		–	3	–	dB
Demodulators; –(R–Y) and –(B–Y) outputs (pins 1 and 2); demodulated Y_{helper} (pin 12)						
GENERAL						
	ratio of –(B–Y) to –(R–Y)	standard colour bar	1.20	1.27	1.34	
TC	temperature coefficient of –(R–Y) and –(B–Y) amplitude		–	–	0.1	%/K
	spread of –(R–Y) to –(B–Y) ratio between standards		–1	–	+1	dB
V _{–(R–Y)}	output level of –(R–Y) output during blanking level		1.7	2.1	2.5	V
V _{–(B–Y)}	output level of –(B–Y) output during blanking level		1.7	2.0	2.5	V
B	bandwidth at –3 dB		600	670	750	kHz
Z _o	output impedance		–	–	500	Ω
ΔV _{CC}	supply voltage dependence		–	–	2	%/V
φ	hue phase shift	note 3	±35	±45	±55	deg
PAL/NTSC DEMODULATOR						
V _{–(R–Y)(p-p)}	–(R–Y) output voltage (peak-to-peak value)	standard colour bar	480	540	605	mV
V _{–(B–Y)(p-p)}	–(B–Y) output voltage (peak-to-peak value)	standard colour bar	610	685	765	mV
V _{res(p-p)}	8.8 MHz residue (peak-to-peak value)	both outputs	–	–	15	mV
V _{res(p-p)}	7.2 MHz residue (peak-to-peak value)	both outputs	–	–	20	mV
V _{res(p-p)}	4.4 and 3.6 MHz residue	both outputs	–	–	tbf	mV
S/N	signal-to-noise ratio	0 to 1 MHz	46	–	–	dB

I²C-bus controlled, alignment-free PAL/NTSC/SECAM decoder/sync processor with PALplus helper demodulator

TDA9144

SYMBOL	PARAMETER	CONDITIONS	MIN.	TYP.	MAX.	UNIT
PAL DEMODULATOR						
V _{R(p-p)}	½H ripple (peak-to-peak value)		–	–	20	mV
φ	demodulator phase error		–	–	5	deg
SECAM DEMODULATOR						
V _{-(R-Y)(p-p)}	–(R–Y) output voltage (peak-to-peak value)	standard colour bar	0.96	1.08	1.21	V
V _{-(B-Y)(p-p)}	–(B–Y) output voltage (peak-to-peak value)	standard colour bar	1.22	1.37	1.53	V
f _{os}	black level offset frequency		–	–	7	kHz
S/N	signal-to-noise ratio	0 to 1 MHz	40	–	–	dB
V _{res(p-p)}	7.8 MHz to 9.4 MHz residue (peak-to-peak value)		–	–	30	mV
f _{pole}	pole frequency of de-emphasis		77	85	93	kHz
	ratio of pole and zero frequency		–	3	–	
V _{cal}	calibration voltage		3	4	5	V
NL	non linearity		–	–	3	%
DEMODULATED HELPER (PIN 12)						
V _{Y(p-p)}	helper output voltage (peak-to-peak value)	PALplus limits	610	686	770	mV
V _{Y(p-p)}	helper set-up amplitude	only helper lines, line 22 and line 23	380	400	420	mV
t _d	group delay	within passband	–	–	10	ns
φ	demodulator phase	including ½H error	–	–	5	deg
α _{c(M/D)}	crosstalk modulated helper to demodulated sign	0 to 1 MHz	–36	–	–	dB
	4.43 MHz residue		–36	–	–	dB
THD	total harmonic distortion in ACC		–36	–	–	dB
t _Y	helper output timing to Y _{out}		–	–	10	ns
V _{os}	offset demodulator mid-grey to inserted mid-grey level	mid-grey line 23 and line 22; see Fig.5	–	–	5	mV
t _{su}	helper set-up width (363 LLC pulses) and start helper set-up		–	52.8	–	μs
t _d	delay between mid-sync of input and start helper set-up	YD3 to YD0 = 1011; note 4; see Fig.5	–	8.8	–	μs
t _d	delay between start black set-up and start helper set-up (212 LLC pulses)	only line 22 and 23	–	30.8	–	μs
B	baseband helper bandwidth at –3 dB		–	2.6	–	MHz
Filters						
TUNING						
V _{tune}	tuning voltage		1.5	3	6	V

**I²C-bus controlled, alignment-free PAL/NTSC/SECAM
decoder/sync processor with PALplus helper demodulator**
TDA9144

SYMBOL	PARAMETER	CONDITIONS	MIN.	TYP.	MAX.	UNIT
LUMINANCE DELAY; YD3 to YD0 = 1011; YH2 to YH1 = 01						
t _{d(on)}	delay time colour on	f _{sc} = 3.6 MHz; TB = 0	555	580	605	ns
		f _{sc} = 3.6 MHz and 4.4 MHz; TB = 1	515	540	565	ns
t _{d(off)}	delay time colour off		350	370	390	ns
t _{d(tun)}	delay time tuning range	15 steps YD3 to YD0; note 2	-280	-	+160	ns
t _{d(tun)}	Y to helper delay tuning range	3 steps YH2 to YH1	-20	-	+25	ns
CHROMINANCE TRAP						
f _o	notch frequency	f _{sc} = 3.6 MHz	3.53	3.58	3.63	MHz
		f _{sc} = 4.4 MHz	4.37	4.43	4.49	MHz
		SECAM	4.23	4.29	4.35	MHz
		Y/C and B/W mode	not active			
B	bandwidth at -3 dB	f _{sc} = 3.6 MHz	2.60	2.80	3.00	MHz
		f _{sc} = 4.4 MHz	3.20	3.50	3.80	MHz
		SECAM	2.90	3.15	3.50	MHz
f _{sc(sup)}	subcarrier suppression		26	-	-	dB
CHROMINANCE BANDPASS						
f _{res}	resonant frequency	f _{sc} = 3.6 MHz	3.40	3.58	3.76	MHz
		f _{sc} = 4.4 MHz	4.21	4.43	4.65	MHz
B	bandwidth at -3 dB	f _{sc} = 3.6 MHz	1.05	1.20	1.35	MHz
		f _{sc} = 4.4 MHz	1.25	1.40	1.55	MHz
CLOCHE FILTER						
f _{res}	resonant frequency	SECAM	4.26	4.29	4.31	MHz
B	bandwidth at -3 dB	SECAM	241	268	295	kHz
Sync input (pin 26)						
VIDEO INPUT						
V _{Y/CVBS(p-p)}	sync pulse amplitude (peak-to-peak value)		35	300	600	mV
	slicing level		40	47	55	%
t _d	delay of sync pulse due to internal filter		0.2	0.3	0.4	μs
N _{th}	noise detector threshold level		18	20	22	dB
H	hysteresis		2	3	5	dB
t _d	delay between internally separated vertical sync pulse and video signal		12	18.5	27	μs

I²C-bus controlled, alignment-free PAL/NTSC/SECAM
decoder/sync processor with PALplus helper demodulator

TDA9144

SYMBOL	PARAMETER	CONDITIONS	MIN.	TYP.	MAX.	UNIT
Horizontal section						
CLP OUTPUT (OPB/CLP MODE); HA OUTPUT (LLC/HA) MODE (BOTH ON PIN 17)						
V _{OH}	HIGH level output voltage		4.0	5	5.5	V
V _{OL}	LOW level output voltage		–	0.2	0.4	V
I _{sink}	sink current		2	–	–	mA
I _{source}	source current		2	–	–	mA
t _{W(HA)}	HA pulse width (32 LLC pulses)		–	4.65	–	μs
t _d	delay between middle of horizontal sync pulse and middle of H _A	note 4	0.3	0.45	0.6	μs
t _W	CLP pulse width (25 LLC pulses)		–	3.65	–	μs
t _d	delay start CLP pulse to start black set-up (33 LLC pulses + Y delay)	HD = 1 or MACP = 1; YD3 to YD0 = 1011; see Fig.5	–	5.35	–	μs
t _d	delay between middle of horizontal sync pulse and start of CLP pulse	note 4	3.0	3.2	3.4	μs
σ	6σ jitter	φ ₁ in auto mode	–	–	5	ns
FIRST LOOP (φ₁)						
Δf	frequency deviation when not locked		–	–	1.5	%
ΔV _{CC}	supply voltage dependence		–	40	–	Hz/V
f _{CR}	catching range		±625	–	–	Hz
f _{HR}	holding range		–	–	±1.0	kHz
φ	static phase shift		–	–	0.1	μs/kHz
LLC OUTPUT (PIN 16); LLC/HA MODE						
f _o	output frequency 440 × f _H 440 × f _H	50 Hz standard 60 Hz standard	–	6.875 6.923	–	MHz MHz
V _{o(p-p)}	output amplitude (peak-to-peak value)		0.25	–	–	V
V _o	DC output voltage level		–	2.5	–	V
t _d	delay between negative edge of LLC and positive edge of HA pulse	C _L = 15 pF	10	20	40	ns
Vertical section						
VERTICAL OSCILLATOR						
f _{fr}	free running frequency	FORF = 1; divider ratio 628	–	50	–	Hz
		FORF = 0; divider ratio 528	–	60	–	Hz
f _{LR}	frequency locking range		43	–	64	Hz
LR	divider locking range		488	625	722	

I²C-bus controlled, alignment-free PAL/NTSC/SECAM
decoder/sync processor with PALplus helper demodulator

TDA9144

SYMBOL	PARAMETER	CONDITIONS	MIN.	TYP.	MAX.	UNIT
VA OUTPUT (PIN 11); ECL = 0						
V _{OH}	HIGH level output voltage		4.0	5	5.5	V
V _{OL}	LOW level output voltage		–	0.2	0.4	V
I _{sink}	sink current		2	–	–	mA
I _{source}	source current		2	–	–	mA
t _{W(VA)}	V _A pulse width 2.5/f _H 3/f _H	50 Hz standard 60 Hz standard	–	160 192	–	μs μs
t _d	delay between start of vertical sync pulse and positive edge of VA	note 5; see Fig.9	–	35	–	μs
Z _o	output impedance	ECL = 1	3	–	–	MΩ
Sandcastle output (pin 10)						
V _o	zero level output voltage		0	0.5	1	V
I _{sink}	sink current		0.5	0.7	0.9	mA
HORIZONTAL AND VERTICAL BLANKING						
V _{bl}	blanking voltage level		2.2	2.5	2.8	V
I _{source}	source current		0.5	0.7	0.9	mA
I _{ext}	external current required to force the output to the blanking level		1.0	–	3.0	mA
t _{W(H)}	horizontal blanking pulse width	(69 LLC pulses)	–	10.0	–	μs
t _d	delay between start of horizontal blanking and start of clamping pulse	(44 LLC pulses)	–	6.4	–	μs
CLAMPING PULSE						
V _{clamp}	clamping voltage level		4.2	4.5	4.8	V
I _{source}	source current		0.5	0.7	0.9	mA
t _{W(clamp)}	clamping pulse width	(25 LLC pulses)	–	3.6	–	μs
t _d	delay between middle sync of input and start of clamping pulse	note 4	3.0	3.2	3.4	μs
YUV/RGB switches						
Caution: the voltage on pin 3 must never exceed 5.5 V, if it does, the IC enters a test mode						
RGB INPUTS (PINS 21, 20 AND 19 RESPECTIVELY); note 6						
V _{i(p-p)}	input voltage (peak-to-peak value)		–	0.7	1	V
Z _i	input impedance		3	–	–	MΩ
C _i	input capacitance		–	–	5	pF
UV INPUTS (PINS 3 AND 4 RESPECTIVELY); note 6						
V _{i(p-p)}	U input voltage (peak-to-peak value)		–	1.33	1.90	V
V _{i(p-p)}	V input voltage (peak-to-peak value)		–	1.05	1.50	V
Z _i	input impedance (both inputs)		3	–	–	MΩ
C _i	input capacitance (both inputs)		–	–	5	pF

I²C-bus controlled, alignment-free PAL/NTSC/SECAM decoder/sync processor with PALplus helper demodulator

TDA9144

SYMBOL	PARAMETER	CONDITIONS	MIN.	TYP.	MAX.	UNIT
Y OUTPUT (PIN 12)						
$V_{o(p-p)}$	U output voltage	black-white	–	1.00	–	V
$V_{o(p-p)}$	PALplus output voltage	black-white	–	0.80	–	V
Z_o	output impedance		–	–	250	Ω
V_o	DC output voltage level	black level	2.7	3.0	3.3	V
S/N	signal-to-noise ratio	$f = 0$ to 5 MHz	–	52	–	dB
V_{out}	black set-up amplitude	MACP = 1 or HD = 1	190	200	210	mV
$t_{W(\text{black})}$	black set-up width	363 LLC pulses	–	52.8	–	μs
t_d	delay between mid-sync of input and start black set-up	YD3 to YD0 = 1011; note 4; see Fig.5	–	8.8	–	μs
V_{os}	offset voltage Y_{black} to re-inserted black	see Fig.5	–	–	10	mV
G_v	voltage gain from Y/CVBS _i to Y_o from Y/CVBS _i to Y_o	MACP = 1 or HD = 1	1.35 1.08	1.43 1.14	1.50 1.20	
UV OUTPUTS (PINS 14 AND 13); note 6						
$V_{o(p-p)}$	U output voltage (peak-to-peak value)		–	1.33	1.90	V
$V_{o(p-p)}$	V output voltage (peak-to-peak value)		–	1.05	1.50	V
Z_o	output impedance (both outputs)		–	–	250	Ω
V_o	DC output voltage level		2.3	2.6	2.9	V
G_v	voltage gain from U_{in} to U_{out} from V_{in} to V_{out}		0.94 0.94	0.97 0.97	1.00 1.00	
GENERAL						
V_{diff}	difference between black levels of YUV outputs in RGB mode and YUV mode	sync locked mixed RGB/YUV via fast blanking	–	–	10	mV
NL	non-linearity	any input to any output	–	–	5	%
B	bandwidth at –3 dB	any input to any output; $C_L = 15$ pF	7	–	–	MHz
α_c	crosstalk between RGB and UV_{in} signals on UV_{out}	$f = 0$ to 5 MHz	–	–	–50	dB
B	bandwidth at –1 dB	any input to any output; $C_L = 15$ pF	5	–	–	MHz
t_{clamp}	internal Y clamping time constant		–	10	–	ms
FAST SWITCH F (PIN 18)						
V_{IL}	LOW level input voltage	UV switched on	0	–	0.5	V
V_{IH}	HIGH level input voltage	RGB switched on	0.9	–	3.0	V
t_d	switching delay	between F and YUV	–	–	20	ns

I²C-bus controlled, alignment-free PAL/NTSC/SECAM
decoder/sync processor with PALplus helper demodulator

TDA9144

SYMBOL	PARAMETER	CONDITIONS	MIN.	TYP.	MAX.	UNIT
EXTERNAL CLAMP INPUT (PIN 17)						
V _{IL}	LOW level input voltage (pin CLP)	no clamping	0	–	0.6	V
V _{IH}	HIGH level input voltage (pin CLP)	clamping	2.4	–	5.5	V
t _{W(clamp)}	clamping pulse width	note 7	1.8	3.5	–	µs
V _{os(clamp)}	clamping offset voltage on UV outputs		–	–	10	mV
Z _i	input impedance	ECL = 1	3	–	–	MΩ
Colour matrix						
G _v	voltage gain					
	from R to Y _{out}		0.41	0.43	0.45	
	from G to Y _{out}		0.80	0.84	0.88	
	from B to Y _{out}		0.15	0.16	0.17	
	from R to U _{out}		0.41	0.43	0.45	
	from G to U _{out}		0.80	0.84	0.88	
	from B to U _{out}		1.21	1.27	1.33	
	from R to V _{out}		0.95	1.00	1.05	
	from G to V _{out}		0.80	0.84	0.88	
	from B to V _{out}		0.15	0.16	0.17	
Output and in/output port						
O PORT (PIN 16); OPB/CLP MODE						
V _{OH}	HIGH level output voltage		4.0	5	5.5	V
V _{OL}	LOW level output voltage		–	0.2	0.4	V
I _{sink}	sink current		100	–	–	µA
I _{source}	source current		100	–	–	µA
I/O PORT; OPB/CLP MODE						
V _{OH}	HIGH level output voltage		–	–	V _{CC}	V
V _{OL}	LOW level output voltage		–	0.2	0.4	V
I _{sink}	sink current		2	–	–	mA
V _{IH}	HIGH level input voltage		2.0	–	–	V
V _{IL}	LOW level input voltage		–	–	0.6	V

I²C-bus controlled, alignment-free PAL/NTSC/SECAM decoder/sync processor with PALplus helper demodulator

TDA9144

Notes to the characteristics

1. All frequency variations are referred to 3.58 MHz or 4.43 MHz carrier frequency. All oscillator specifications are measured with the Philips crystal series 9920 520 0047x and 9920 520 0048x. The oscillator circuit is insensitive to the spurious responses of the crystal. The typical crystal parameters for the crystals mentioned above are:

- a) Load resonance frequency $f_0 = 4.433619$ MHz or 3.579545 MHz ($C_L = 20$ pF).
- b) Motional capacitance $C_M = 20.6 f_F$ (4.43 MHz crystal) or $14.7 f_F$ (3.58 MHz crystal).
- c) Parallel capacitance $C_0 = 5$ pF for both crystals.

d) The minimum detuning range can only be specified if both the IC and the crystal tolerances are known and the general specifications given for the subcarrier regeneration are therefore valid for the specified crystal series. In the figure tolerances of the crystal with respect to nominal frequency, motional capacitance and ageing have been taken into account and have been counted for by Gaussian addition.

Whenever different typical crystal parameters are used, the following equation might be helpful for calculating the impact on the detuning capabilities:

e) Detuning range proportional to:
$$\frac{C_M}{\left(1 + \frac{C_0}{C_L}\right)^2}$$

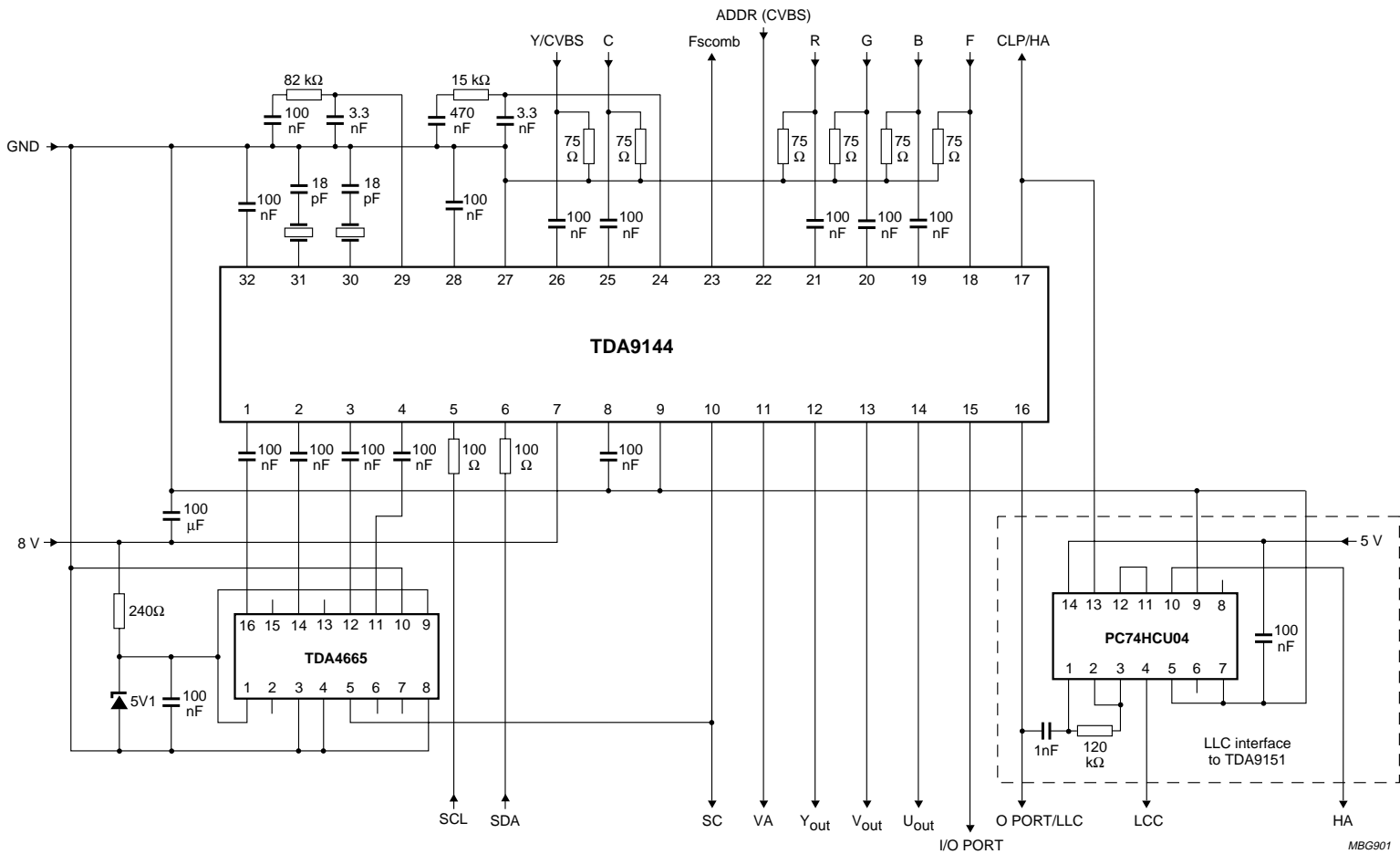
f) The resulting detuning range should be corrected for temperature shift and supply deviation of both the IC and the crystal. For the above mentioned crystals, the actual load capacitance in the application should be $C_L = 18$ pF to account for parasitic capacitance on and off chip. For 3-norm applications with two crystals connected to one pin, the maximum load capacitance of the crystal pin should not exceed 12 pF.

- 2. YD3 and YD2 are equal significant bits, both representing a 160 ns delay step. YD1 represents 80 ns and YD0 represents a 40 ns delay step.
- 3. The Hue control is active for NTSC on the $-(R-Y)$ and $-(B-Y)$ signals and for PALplus only on the demodulated helper signal.
- 4. This delay is partially caused by the low-pass filter at the sync separator input.
- 5. The delay between the positive edge of VA and the first negative edge of HA (or positive edge of CLP) after VA is $34.5 \mu s$ for field 1 and $2.5 \mu s$ for field 2 (17 LLC pulses with or without $\frac{1}{2 \times f_H}$ respectively). Especially for PALplus signals the regenerated VA pulses must have a fixed and known phase relation to the undisturbed V pulses of the incoming video signal. This relation must remain correct as long as the vertical divider is in norm mode (indirect sync mode), so the coincidence window used here must be a half line compared to the one line coincidence window used outside PALplus. With a well defined phase relation of the regenerated VA pulses to the regenerated HA pulses a correct field identification (odd/even) and all the required timing signals referring to a certain line in each frame can be generated externally in the PALplus decoder environment.
- 6. The output signals of the demodulator are called $-(R-Y)$ and $-(B-Y)$ in this specification. The colour difference input and output signals of the YUV switch are called UV signals. However, these signals do not have the amplitude correction factor of real UV signals. They are called UV signals and not $-(R-Y)$ and $-(B-Y)$ to prevent confusion between the colour difference signals of the demodulator and the colour difference signals of the YUV switch.
- 7. The maximum external clamping pulse width is the minimum available blanking level time of the supplied RGB signals.

I²C-bus controlled, alignment-free PAL/NTSC/SECAM decoder/sync processor with PALplus helper demodulator

TDA9144

TEST AND APPLICATION INFORMATION



Pins 28 and 32 are sensitive to leakage currents.
 Keep the analog and digital ground currents well separated
 The decoupling capacitor between pin 8 and 9 must be placed as close to the IC as possible.

Fig.10 Application circuit.

I²C-bus controlled, alignment-free PAL/NTSC/SECAM decoder/sync processor with PALplus helper demodulator

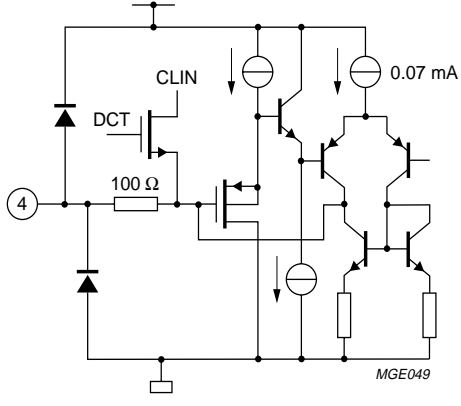
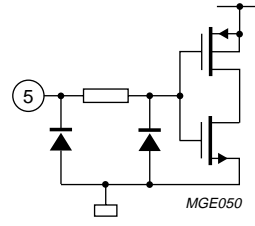
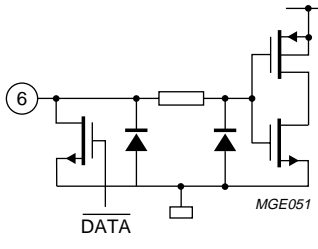
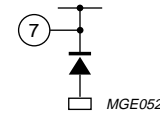
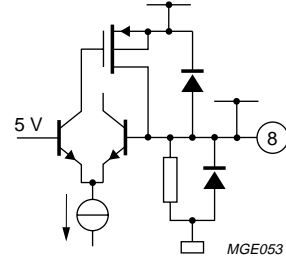
TDA9144

EQUIVALENT PIN CIRCUITS

PIN	SYMBOL	EQUIVALENT PIN CIRCUIT
1	-(R-Y)	
2	-(B-Y)	
3	U _{in}	

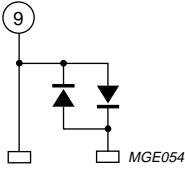
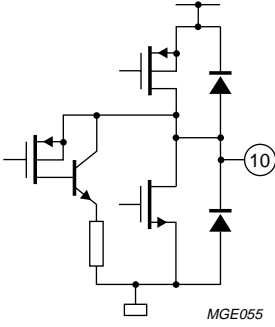
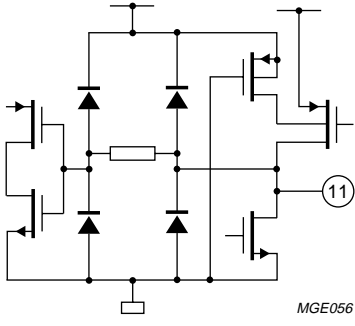
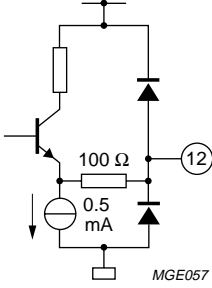
I²C-bus controlled, alignment-free PAL/NTSC/SECAM decoder/sync processor with PALplus helper demodulator

TDA9144

PIN	SYMBOL	EQUIVALENT PIN CIRCUIT
4	V _{in}	
5	SCL	
6	SDA	
7	V _{CC}	
8	DEC	

I²C-bus controlled, alignment-free PAL/NTSC/SECAM decoder/sync processor with PALplus helper demodulator

TDA9144

PIN	SYMBOL	EQUIVALENT PIN CIRCUIT
9	DGND	
10	SC	
11	VA	
12	Y _{out}	

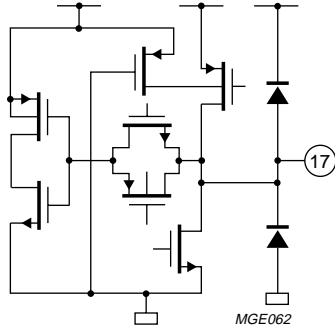
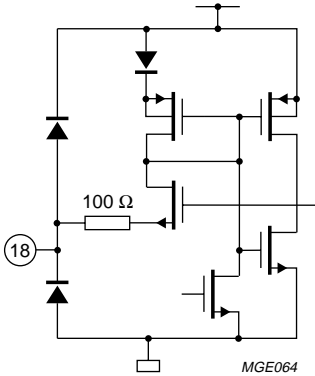
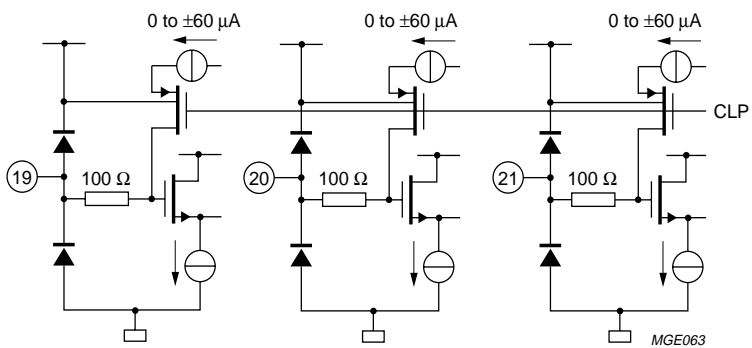
I²C-bus controlled, alignment-free PAL/NTSC/SECAM decoder/sync processor with PALplus helper demodulator

TDA9144

PIN	SYMBOL	EQUIVALENT PIN CIRCUIT
13	V_{out}	
14	U_{out}	
15	I/O PORT	
16	O PORT/LLC	

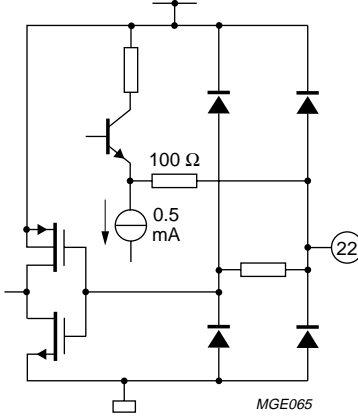
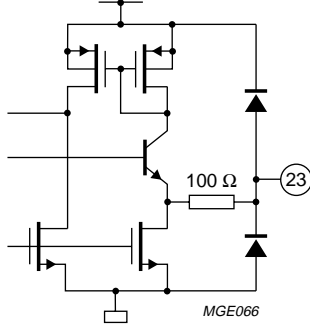
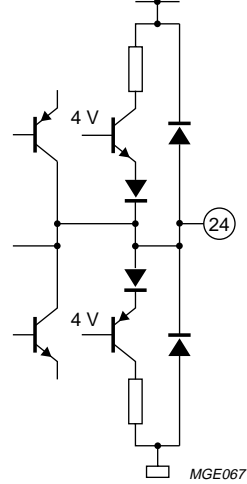
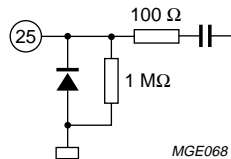
I²C-bus controlled, alignment-free PAL/NTSC/SECAM decoder/sync processor with PALplus helper demodulator

TDA9144

PIN	SYMBOL	EQUIVALENT PIN CIRCUIT
17	CLP/HA	 <p>MGE062</p>
18	F	 <p>MGE064</p>
19	B	 <p>MGE063</p>
20	G	
21	R	

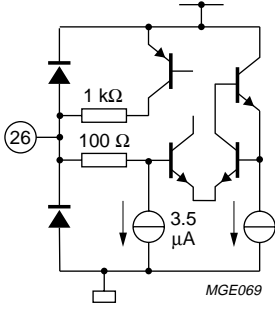
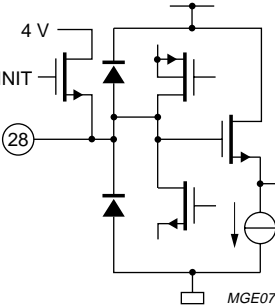
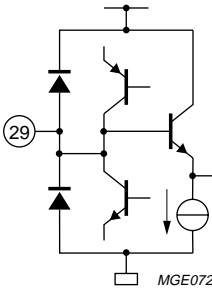
I²C-bus controlled, alignment-free PAL/NTSC/SECAM decoder/sync processor with PALplus helper demodulator

TDA9144

PIN	SYMBOL	EQUIVALENT PIN CIRCUIT
22	ADDR (CVBS)	 <p>MGE065</p>
23	Fscomb	 <p>MGE066</p>
24	HPLL	 <p>MGE067</p>
25	C	 <p>MGE068</p>

I²C-bus controlled, alignment-free PAL/NTSC/SECAM decoder/sync processor with PALplus helper demodulator

TDA9144

PIN	SYMBOL	EQUIVALENT PIN CIRCUIT
26	Y/CVBS	
27	AGND	analog ground
28	FILT _{ref}	
29	CPLL	

I²C-bus controlled, alignment-free PAL/NTSC/SECAM decoder/sync processor with PALplus helper demodulator

TDA9144

PIN	SYMBOL	EQUIVALENT PIN CIRCUIT
30	XTAL	
31	XTAL2	
32	SEC _{ref}	

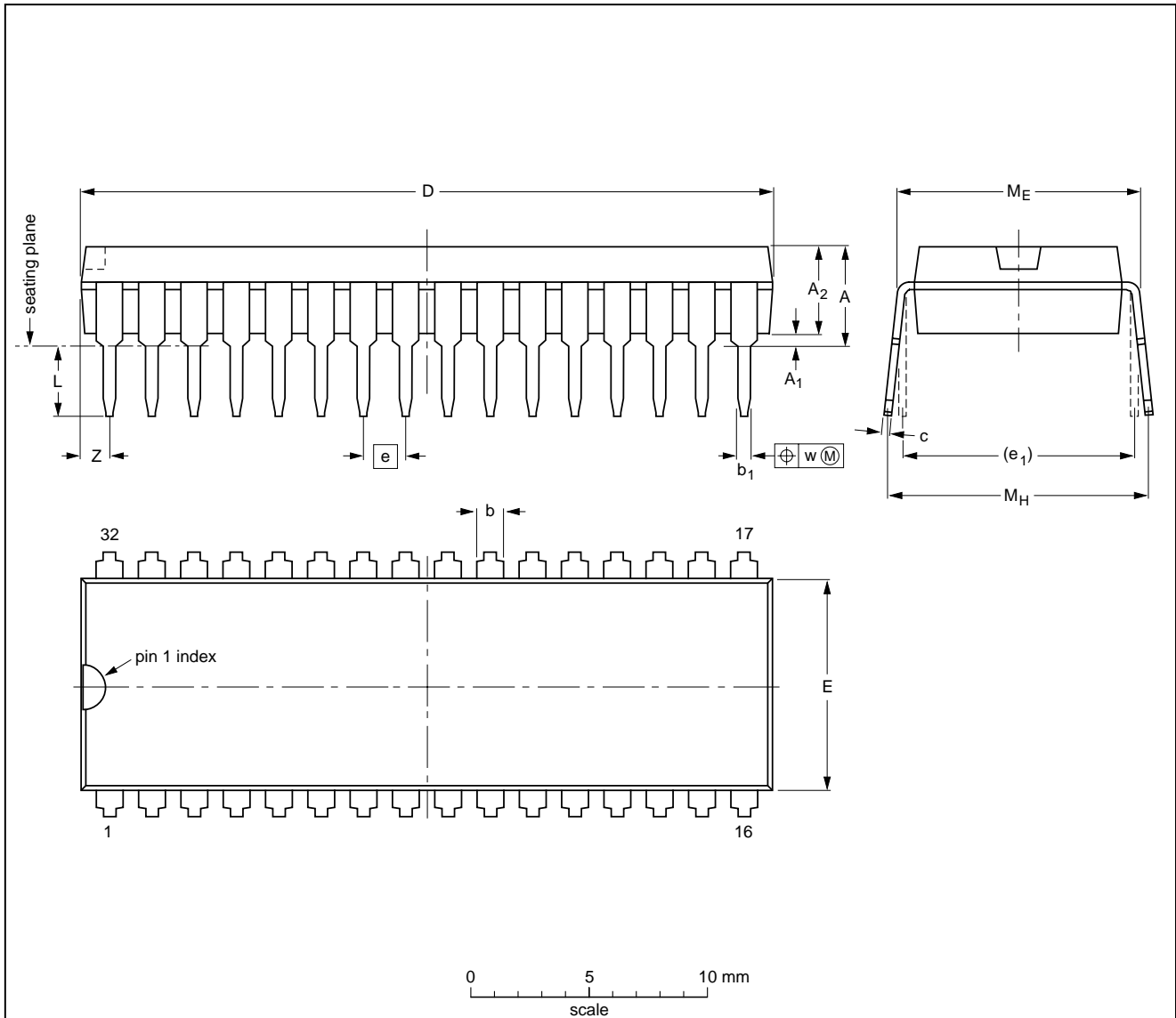
I²C-bus controlled, alignment-free PAL/NTSC/SECAM decoder/sync processor with PALplus helper demodulator

TDA9144

PACKAGE OUTLINE

SDIP32: plastic shrink dual in-line package; 32 leads (400 mil)

SOT232-1



DIMENSIONS (mm are the original dimensions)

UNIT	A max.	A ₁ min.	A ₂ max.	b	b ₁	c	D ⁽¹⁾	E ⁽¹⁾	e	e ₁	L	M _E	M _H	w	Z ⁽¹⁾ max.
mm	4.7	0.51	3.8	1.3 0.8	0.53 0.40	0.32 0.23	29.4 28.5	9.1 8.7	1.778	10.16	3.2 2.8	10.7 10.2	12.2 10.5	0.18	1.6

Note

1. Plastic or metal protrusions of 0.25 mm maximum per side are not included.

OUTLINE VERSION	REFERENCES				EUROPEAN PROJECTION	ISSUE DATE
	IEC	JEDEC	EIAJ			
SOT232-1						92-11-17 95-02-04

I²C-bus controlled, alignment-free PAL/NTSC/SECAM decoder/sync processor with PALplus helper demodulator

TDA9144

SOLDERING

Introduction

There is no soldering method that is ideal for all IC packages. Wave soldering is often preferred when through-hole and surface mounted components are mixed on one printed-circuit board. However, wave soldering is not always suitable for surface mounted ICs, or for printed-circuits with high population densities. In these situations reflow soldering is often used.

This text gives a very brief insight to a complex technology. A more in-depth account of soldering ICs can be found in our "IC Package Databook" (order code 9398 652 90011).

Soldering by dipping or by wave

The maximum permissible temperature of the solder is 260 °C; solder at this temperature must not be in contact with the joint for more than 5 seconds. The total contact

time of successive solder waves must not exceed 5 seconds.

The device may be mounted up to the seating plane, but the temperature of the plastic body must not exceed the specified maximum storage temperature ($T_{stg\ max}$). If the printed-circuit board has been pre-heated, forced cooling may be necessary immediately after soldering to keep the temperature within the permissible limit.

Repairing soldered joints

Apply a low voltage soldering iron (less than 24 V) to the lead(s) of the package, below the seating plane or not more than 2 mm above it. If the temperature of the soldering iron bit is less than 300 °C it may remain in contact for up to 10 seconds. If the bit temperature is between 300 and 400 °C, contact may be up to 5 seconds.

DEFINITIONS

Data sheet status	
Objective specification	This data sheet contains target or goal specifications for product development.
Preliminary specification	This data sheet contains preliminary data; supplementary data may be published later.
Product specification	This data sheet contains final product specifications.
Limiting values	
Limiting values given are in accordance with the Absolute Maximum Rating System (IEC 134). Stress above one or more of the limiting values may cause permanent damage to the device. These are stress ratings only and operation of the device at these or at any other conditions above those given in the Characteristics sections of the specification is not implied. Exposure to limiting values for extended periods may affect device reliability.	
Application information	
Where application information is given, it is advisory and does not form part of the specification.	

LIFE SUPPORT APPLICATIONS

These products are not designed for use in life support appliances, devices, or systems where malfunction of these products can reasonably be expected to result in personal injury. Philips customers using or selling these products for use in such applications do so at their own risk and agree to fully indemnify Philips for any damages resulting from such improper use or sale.

PURCHASE OF PHILIPS I²C COMPONENTS



Purchase of Philips I²C components conveys a license under the Philips' I²C patent to use the components in the I²C system provided the system conforms to the I²C specification defined by Philips. This specification can be ordered using the code 9398 393 40011.

I²C-bus controlled, alignment-free PAL/NTSC/SECAM
decoder/sync processor with PALplus helper demodulator

TDA9144

NOTES

I²C-bus controlled, alignment-free PAL/NTSC/SECAM
decoder/sync processor with PALplus helper demodulator

TDA9144

NOTES

Philips Semiconductors – a worldwide company

Argentina: IEROD, Av. Juramento 1992 - 14.b, (1428)
BUENOS AIRES, Tel. (541)786 7633, Fax. (541)786 9367

Australia: 34 Waterloo Road, NORTH RYDE, NSW 2113,
Tel. (02)805 4455, Fax. (02)805 4466

Austria: Triester Str. 64, A-1101 WIEN, P.O. Box 213,
Tel. (01)60 101-1236, Fax. (01)60 101-1211

Belgium: Postbus 90050, 5600 PB EINDHOVEN, The Netherlands,
Tel. (31)40-2783749, Fax. (31)40-2788399

Brazil: Rua do Rocio 220 - 5th floor, Suite 51,
CEP: 04552-903-SÃO PAULO-SP, Brazil,
P.O. Box 7383 (01064-970),
Tel. (011)821-2333, Fax. (011)829-1849

Canada: PHILIPS SEMICONDUCTORS/COMPONENTS:
Tel. (800) 234-7381, Fax. (708) 296-8556

Chile: Av. Santa Maria 0760, SANTIAGO,
Tel. (02)773 816, Fax. (02)777 6730

China/Hong Kong: 501 Hong Kong Industrial Technology Centre,
72 Tat Chee Avenue, Kowloon Tong, HONG KONG,
Tel. (852)2319 7888, Fax. (852)2319 7700

Colombia: IPRELENZO LTDA, Carrera 21 No. 56-17,
77621 BOGOTA, Tel. (571)249 7624/(571)217 4609,
Fax. (571)217 4549

Denmark: Prags Boulevard 80, PB 1919, DK-2300
COPENHAGEN S, Tel. (45)32 88 26 36, Fax. (45)31 57 19 49

Finland: Sinikalliontie 3, FIN-02630 ESPOO,
Tel. (358)0-615 800, Fax. (358)0-61580 920

France: 4 Rue du Port-aux-Vins, BP317,
92156 SURESNES Cedex,
Tel. (01)4099 6161, Fax. (01)4099 6427

Germany: P.O. Box 10 51 40, 20035 HAMBURG,
Tel. (040)23 53 60, Fax. (040)23 53 63 00

Greece: No. 15, 25th March Street, GR 17778 TAVROS,
Tel. (01)4894 339/4894 911, Fax. (01)4814 240

India: Philips INDIA Ltd, Shivsagar Estate, A Block,
Dr. Annie Besant Rd. Worli, Bombay 400 018
Tel. (022)4938 541, Fax. (022)4938 722

Indonesia: Philips House, Jalan H.R. Rasuna Said Kav. 3-4,
P.O. Box 4252, JAKARTA 12950,
Tel. (021)5201 122, Fax. (021)5205 189

Ireland: Newstead, Clonskeagh, DUBLIN 14,
Tel. (01)7640 000, Fax. (01)7640 200

Italy: PHILIPS SEMICONDUCTORS S.r.l.,
Piazza IV Novembre 3, 20124 MILANO,
Tel. (0039)2 6752 2531, Fax. (0039)2 6752 2557

Japan: Philips Bldg 13-37, Kohnan2-chome, Minato-ku, TOKYO 108,
Tel. (03)3740 5130, Fax. (03)3740 5077

Korea: Philips House, 260-199 Itaewon-dong,
Yongsan-ku, SEOUL, Tel. (02)709-1412, Fax. (02)709-1415

Malaysia: No. 76 Jalan Universiti, 46200 PETALING JAYA,
SELANGOR, Tel. (03)750 5214, Fax. (03)757 4880

Mexico: 5900 Gateway East, Suite 200, EL PASO, TX 79905,
Tel. 9-5(800)234-7381, Fax. (708)296-8556

Netherlands: Postbus 90050, 5600 PB EINDHOVEN, Bldg. VB,
Tel. (040)2783749, Fax. (040)2788399

New Zealand: 2 Wagener Place, C.P.O. Box 1041, AUCKLAND,
Tel. (09)849-4160, Fax. (09)849-7811

Norway: Box 1, Manglerud 0612, OSLO,
Tel. (022)74 8000, Fax. (022)74 8341

Pakistan: Philips Electrical Industries of Pakistan Ltd.,
Exchange Bldg. ST-2/A, Block 9, KDA Scheme 5, Clifton,
KARACHI 75600, Tel. (021)587 4641-49,
Fax. (021)577035/5874546

Philippines: PHILIPS SEMICONDUCTORS PHILIPPINES Inc.,
106 Valero St. Salcedo Village, P.O. Box 2108 MCC, MAKATI,
Metro MANILA, Tel. (63) 2 816 6380, Fax. (63) 2 817 3474

Portugal: PHILIPS PORTUGUESA, S.A.,
Rua dr. António Loureiro Borges 5, Arquiparque - Miraflores,
Apartado 300, 2795 LINDA-A-VELHA,
Tel. (01)4163160/4163333, Fax. (01)4163174/4163366

Singapore: Lorong 1, Toa Payoh, SINGAPORE 1231,
Tel. (65)350 2000, Fax. (65)251 6500

South Africa: S.A. PHILIPS Pty Ltd.,
195-215 Main Road Martindale, 2092 JOHANNESBURG,
P.O. Box 7430, Johannesburg 2000,
Tel. (011)470-5911, Fax. (011)470-5494

Spain: Balmes 22, 08007 BARCELONA,
Tel. (03)301 6312, Fax. (03)301 42 43

Sweden: Kottbygatan 7, Akalla. S-164 85 STOCKHOLM,
Tel. (0)8-632 2000, Fax. (0)8-632 2745

Switzerland: Allmendstrasse 140, CH-8027 ZÜRICH,
Tel. (01)488 2211, Fax. (01)481 77 30

Taiwan: PHILIPS TAIWAN Ltd., 23-30F, 66, Chung Hsiao West
Road, Sec. 1. Taipei, Taiwan ROC, P.O. Box 22978,
TAIPEI 100, Tel. (886) 2 382 4443, Fax. (886) 2 382 4444

Thailand: PHILIPS ELECTRONICS (THAILAND) Ltd.,
209/2 Sanpavuth-Bangna Road Prakanong,
Bangkok 10260, THAILAND,
Tel. (66) 2 745-4090, Fax. (66) 2 398-0793

Turkey: Talatpasa Cad. No. 5, 80640 GÜLTEPE/ISTANBUL,
Tel. (0212)279 27 70, Fax. (0212)282 67 07

Ukraine: Philips UKRAINE, 2A Akademika Koroleva str., Office 165,
252148 KIEV, Tel. 380-44-4760297, Fax. 380-44-4766991

United Kingdom: Philips Semiconductors LTD.,
276 Bath Road, Hayes, MIDDLESEX UB3 5BX,
Tel. (0181)730-5000, Fax. (0181)754-8421

United States: 811 East Arques Avenue, SUNNYVALE,
CA 94088-3409, Tel. (800)234-7381, Fax. (708)296-8556

Uruguay: Coronel Mora 433, MONTEVIDEO,
Tel. (02)70-4044, Fax. (02)92 0601

Internet: <http://www.semiconductors.philips.com/ps/>

For all other countries apply to: Philips Semiconductors,
International Marketing and Sales, Building BE-p,
P.O. Box 218, 5600 MD EINDHOVEN, The Netherlands,
Telex 35000 phtcnl, Fax. +31-40-2724825

SCDS47

© Philips Electronics N.V. 1996

All rights are reserved. Reproduction in whole or in part is prohibited without the prior written consent of the copyright owner.

The information presented in this document does not form part of any quotation or contract, is believed to be accurate and reliable and may be changed without notice. No liability will be accepted by the publisher for any consequence of its use. Publication thereof does not convey nor imply any license under patent- or other industrial or intellectual property rights.

Printed in The Netherlands

537021/1100/01/pp44
Document order number:

Date of release: 1996 Jan 17
9397 750 00577