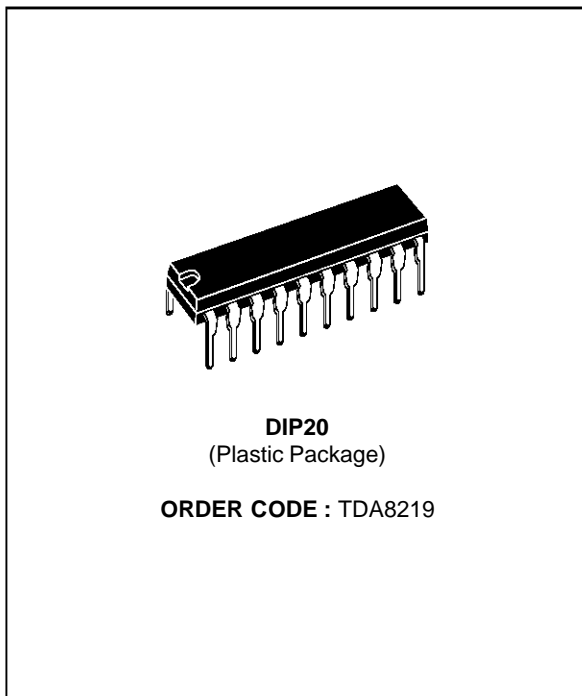


**PAL/NTSC DECODER AND VIDEO PROCESSOR**

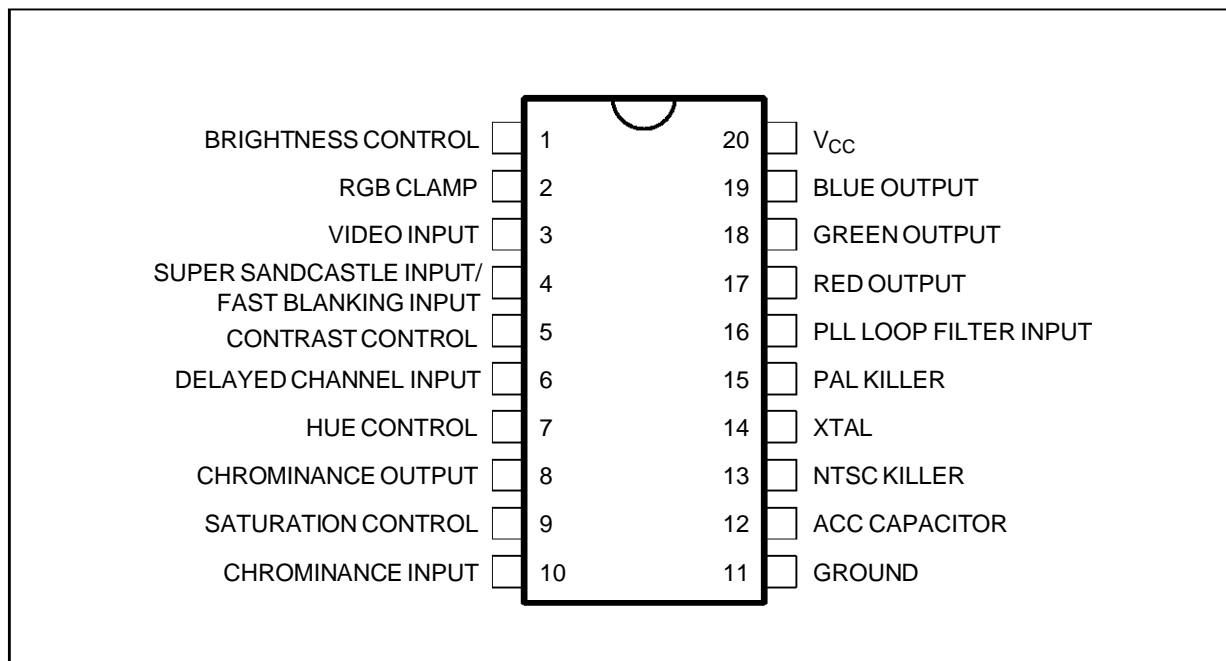
- RGB OUTPUTS
- SINGLE CHIP CHROMA AND LUMINANCE PROCESSOR
- DC CONTROL BRIGHTNESS, CONTRAST, SATURATION AND HUE
- FEW EXTERNAL COMPONENTS
- FAST BLANKING INPUT FOR OSD INSERTION
- SUPER SANDCASTLE INPUT

**DESCRIPTION**

The TDA8219 is a monolithic integrated color decoder for the PAL/NTSC standard. It includes in a 20 pins IC all the functions required for the identification and demodulation of PAL/NTSC signals, and all the videoprocessor functions up to the drive of the video stages. Used with TDA8213 (video & sound IF system) and TDA8214B (H/V deflection circuit), this IC permits a complete low-cost solution for PAL/NTSC applications.

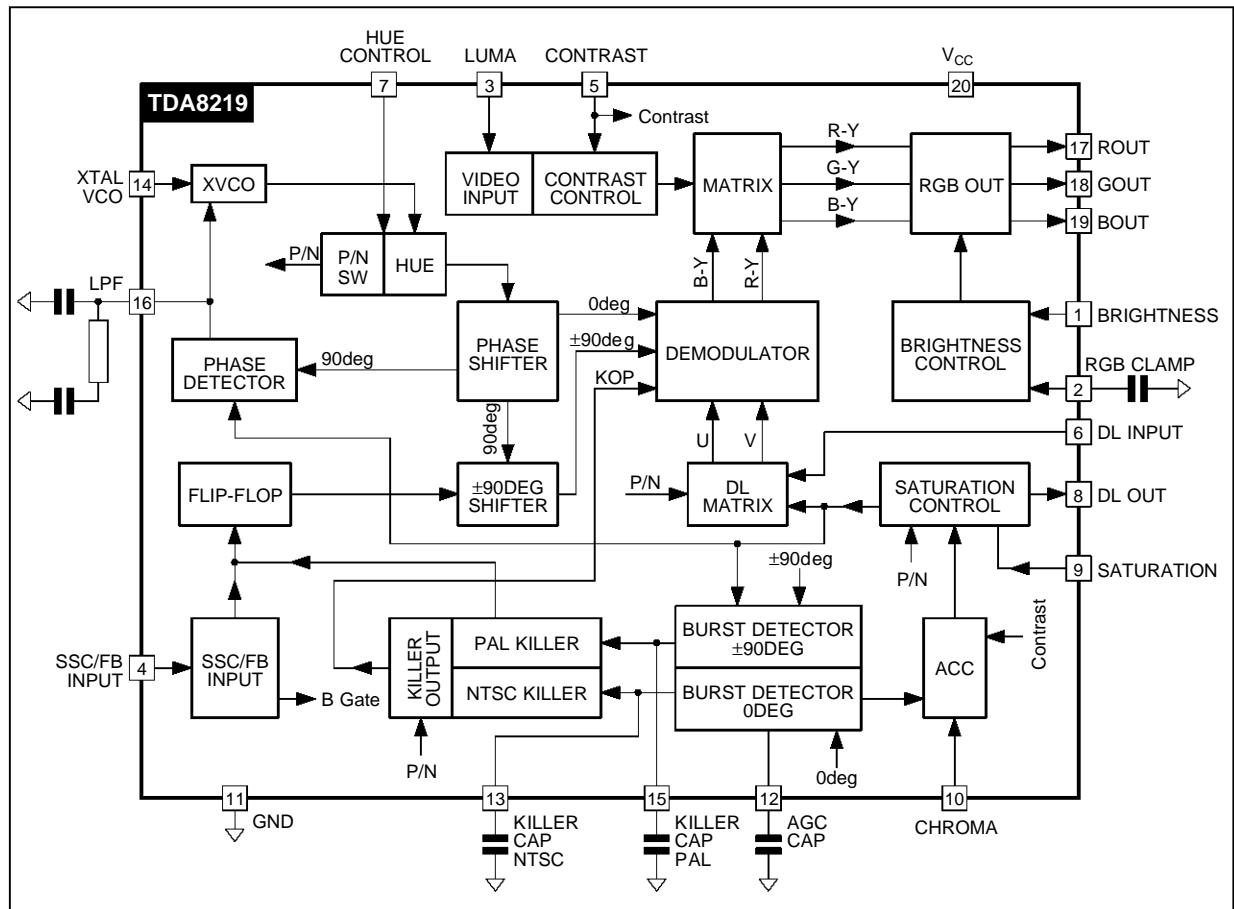


**PIN CONNECTIONS**



8219-01.EPS

**BLOCK DIAGRAM**



8219-02.EPS

**ABSOLUTE MAXIMUM RATINGS**

Symbol	Parameter	Value	Unit
V <sub>CC</sub>	Supply voltage	12	V
T <sub>OPER</sub>	Operating temperature	0 , + 70	°C
T <sub>STG</sub>	Storage temperature	-55 , + 150	°C

8219-01.TBL

**THERMAL DATA**

Symbol	Parameter	Value	Unit
R <sub>TH(j-a)</sub>	Junction to ambient thermal resistance	Max. 80	°C/W

8219-02.TBL

**DC AND AC ELECTRICAL CHARACTERISTICS**

V<sub>CC</sub> = 9V , T<sub>AMB</sub> = 25°C (unless otherwise specified)

Symbol	Parameter	Test Conditions	Min.	Typ.	Max.	Unit
V <sub>CC</sub>	Supply Voltage		8	9	10	V
I <sub>CC</sub>	Supply Current	No Load at V <sub>CC</sub> = 9V	20	30	40	mA
P <sub>d</sub>	Total Power Dissipation	No Load		270	450	mW

**LUMINANCE INPUT (Pin 3)**

	Input Level (Black to White)			350	500	mV <sub>PP</sub>
	DC Operating Voltage	No Input Signal	2.5	2.8	3.1	V
	Input Current	During Burst Period Out of Burst Period	± 50	± 100	± 150 5	µA µA

8219-03.TBL

**DC AND AC ELECTRICAL CHARACTERISTICS** (continued)V<sub>CC</sub> = 9V , T<sub>AMB</sub> = 25°C (unless otherwise specified)

Symbol	Parameter	Test Conditions	Min.	Typ.	Max.	Unit
<b>CHROMINANCE INPUT (Pin 10)</b>						
	Input Level			300	900	mV <sub>PP</sub>
	ACC Control Range	Change of Burst Signal over whole ACC Control Range < 1dB		30		dB
	Minimum Burst Signal Amplitude within the ACC Control Range			30		mV <sub>PP</sub>
	Input Impedance		6	8	12	kΩ
	DC Operating Voltage	No Input Signal	2.3	2.8	3.3	V
<b>SSC INPUT (Pin 4)</b>						
	Burst Gate Threshold		7.0	7.5	8.0	V
	Line Blanking Threshold		3.1	3.6	3.9	V
	Frame Blanking Threshold / Fast Blanking		0.5	1	1.5	V
	Input Current				60	μA
<b>CONTRAST CONTROL INPUT (Pin 5) (See Figure 1)</b>						
	Input Current				10	μA
	Contrast Control Range		20			dB
<b>SATURATION CONTROL INPUT (Pin 9) (See Figure 2)</b>						
	Input Current				10	μA
	Tracking between Luminance and Chrominance Signals over 10 dB Contrast Control				2	dB
<b>BRIGHTNESS CONTROL INPUT (Pin 1) (See Figure 3)</b>						
	Input Current				10	μA
<b>ACC CAPACITOR (Pin 12)</b>						
	Charging Current	During Burst Gate Period		200		μA
	Discharging Current	During Burst Gate Period			10	μA
	Leakage Current	Out of Burst Gate Period			5	μA
<b>PAL KILLER CAPACITOR (Pin 15)</b>						
	Color off Voltage	No Chroma Signal		5.2		V
	Color on Voltage			5.4		V
	PAL flip-flop inhibition level			3.2		V
	Control Current			200		μA
	Leakage Current				5	μA
	Voltage with Nominal Input Signal			6.0		V
<b>NTSC KILLER CAPACITOR (Pin 13)</b>						
	Color off Voltage	No Chroma Signal		5.2		V
	Color on Voltage			5.4		V
	Control Current			200		μA
	Leakage Current				5	μA
	Voltage with Nominal Input Signal			6.0		V
<b>PLL LOOP FILTER (Pin 16)</b>						
	Control Current			800		μA
	Leakage Current				5	μA
<b>SUBCARRIER OUTPUT (Pin 8)</b>						
	Output Burst Amplitude	Within ACC Control Range	1.6	2.4	3.0	V <sub>PP</sub>

8219-04 TBL

**DC AND AC ELECTRICAL CHARACTERISTICS** (continued)

V<sub>CC</sub> = 9V , T<sub>AMB</sub> = 25°C (unless otherwise specified)

Symbol	Parameter	Test Conditions	Min.	Typ.	Max.	Unit
DELAYED CHANNEL INPUT (Pin 6)						
	DC Operating Voltage	No Input Signal	2.0	2.2	2.4	V
	Input impedance		6	8	12	kΩ

RGB OUTPUTS (Pins 17-18-19)

	Output Signal Amplitude (Black to White)	0.35V B to W, Signal @ Pin 3, Contrast @ 4.2V, Sat. @ 1.6V, Brig. @ 3.5V	2.80	3.15	3.50	V
	Blue Channel Output Amplitude (no Y)	300mV <sub>PP</sub> (B-Y), Signal with 200mV <sub>PP</sub> Burst Amplitude at Pin 10, Contrast @ 4.2V, Sat. @ 4.2V, Brig. @ 3.5V	3.5	3.9	4.3	V <sub>PP</sub>
	Individual Output Sinking Current		1.5	2	2.5	mA
	Maximum Peak White Level		7.4	7.8	8.2	V
	Blanking Level		1.0	1.2	1.4	V
	Black Level Differential Error				350	mV
	Relative Variation in Black Level with Various Saturation, Contrast and Brightness Control Level				10	mV
	Black Level Thermal Drift			0.5		mV/°C
	Differential Black Level Drift over 40°C Temperature Range			5		mV
	Frequency Response(-3dB)			7		MHz

HUE CONTROL INPUT (Pin 7 ) (see Figure 4)

	Control Range		± 20	± 45		deg
	Input Current				10	μA
	NTSC Select Voltage		2.0		6.0	V
	PAL Select Voltage		00		0.5	V

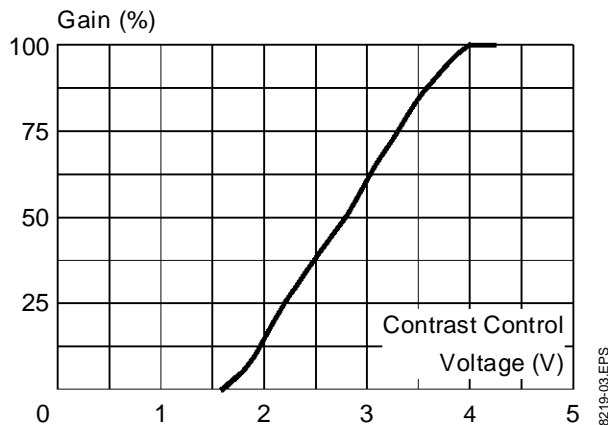
XTAL (Pin 14)

	Catching Range	PAL, XTAL with CM = 13fF NTSC, XTAL with CM = 13fF		± 700	± 700	Hz
--	----------------	---	--	-------	-------	----

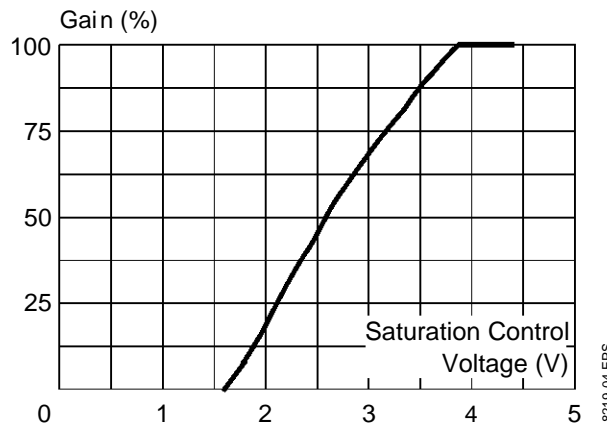
RGB CLAMP CAPACITOR (Pin 2)

	Control Current		50	100	150	μA
	Leakage Current				5	μA

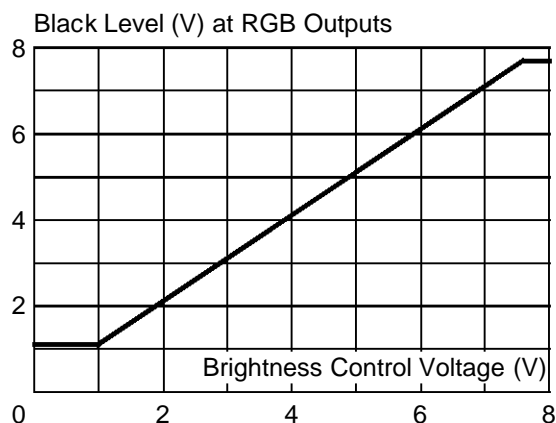
**Figure 1 : Contrast Control Voltage Range**



**Figure 2 : Saturation Control Voltage Range**

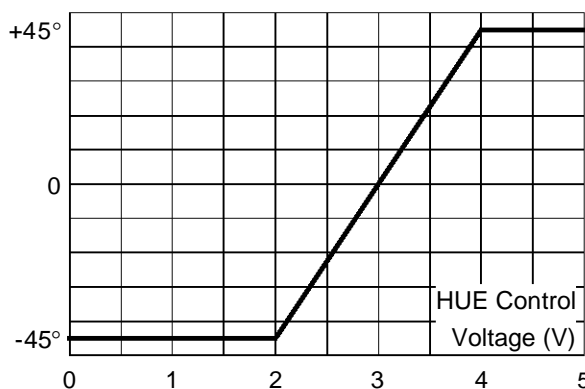


**Figure 3 : Brightness Control Voltage Range**



8219-05.EPS

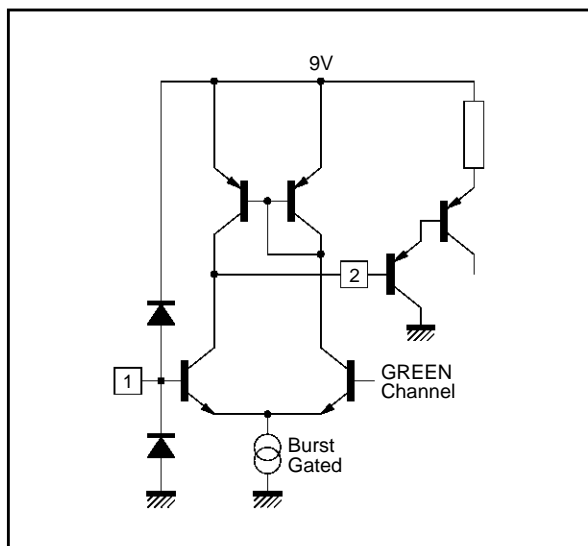
**Figure 4 : Hue Control Voltage Range**



8219-06.EPS

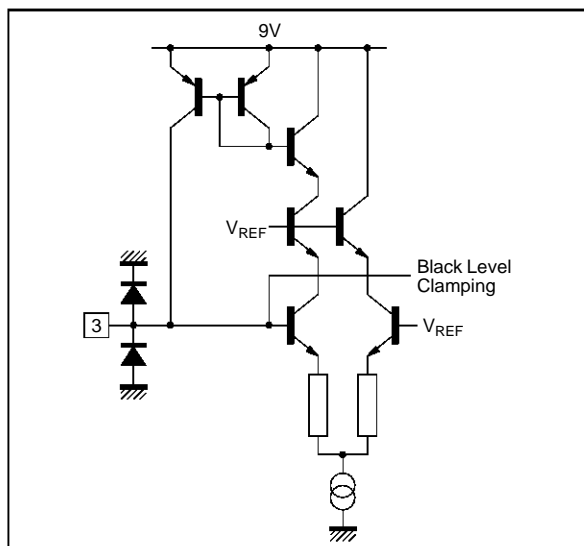
**INPUT / OUTPUT PIN CONFIGURATION**

**Figure 5 : Pins 1 - 2 Configuration**



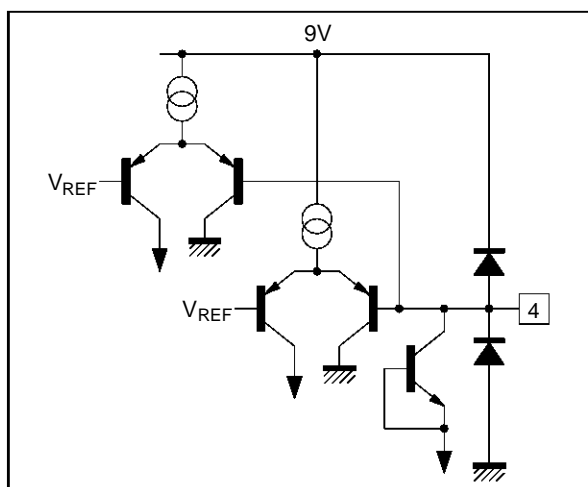
8219-07.EPS

**Figure 6 : Pin 3 Configuration**



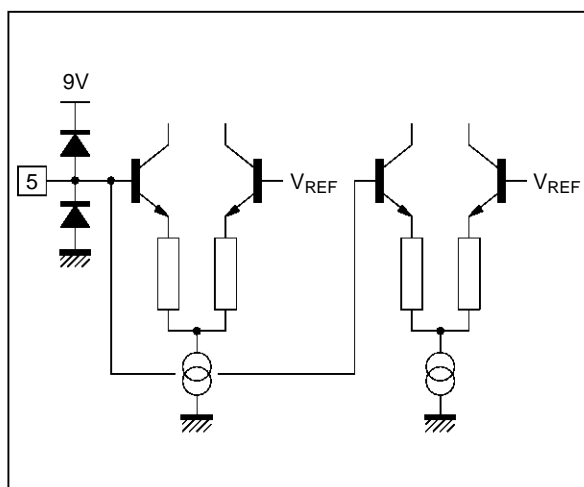
8219-08.EPS

**Figure 7 : Pin 4 Configuration**



8219-09.EPS

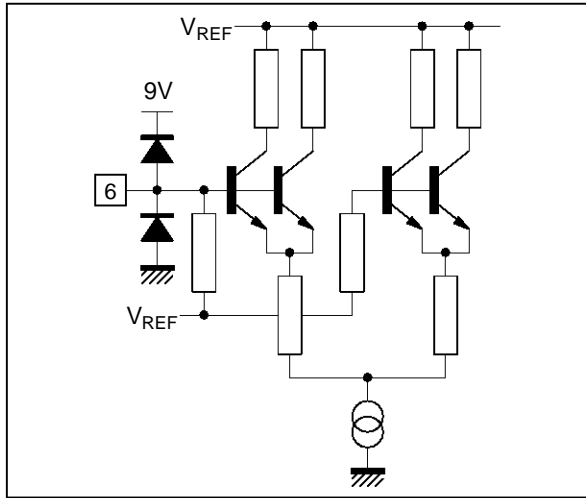
**Figure 8 : Pin 5 Configuration**



8219-10.EPS

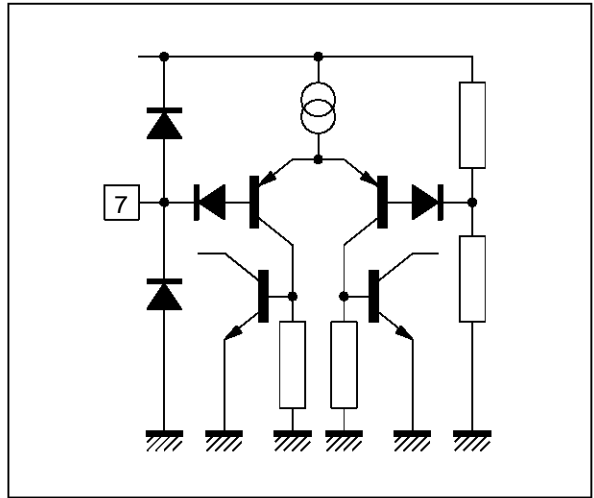
INPUT / OUTPUT PIN CONFIGURATION (continued)

Figure 9 : Pin 6 Configuration



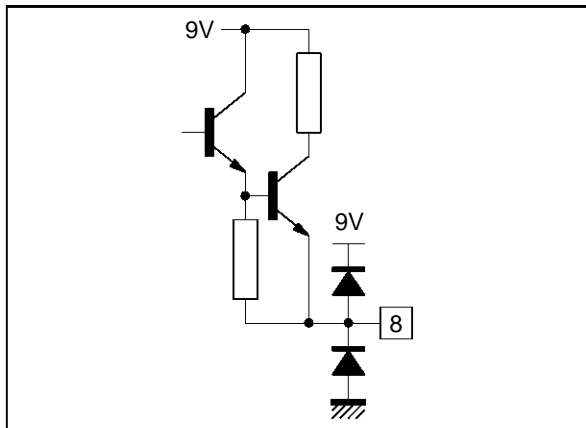
8219-11.EPS

Figure 10 : Pin 7 Configuration



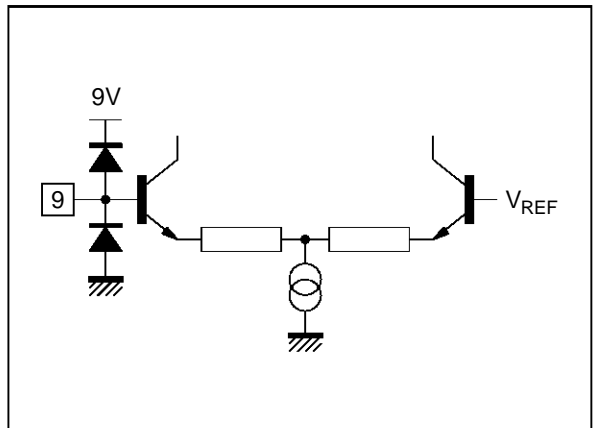
8219-21.EPS

Figure 11 : Pin 8 Configuration



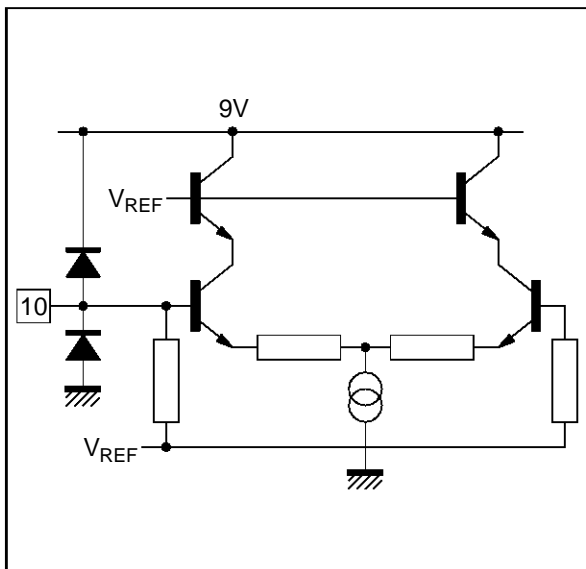
8219-12.EPS

Figure 12 : Pin 9 Configuration



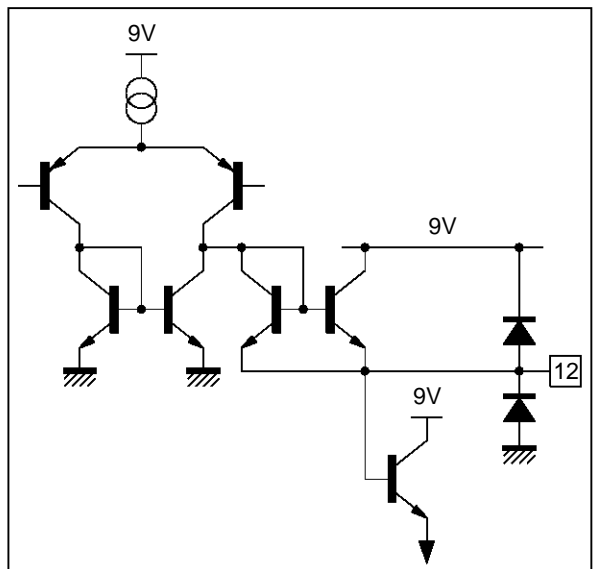
8219-13.EPS

Figure 13 : Pin 10 Configuration



8219-14.EPS

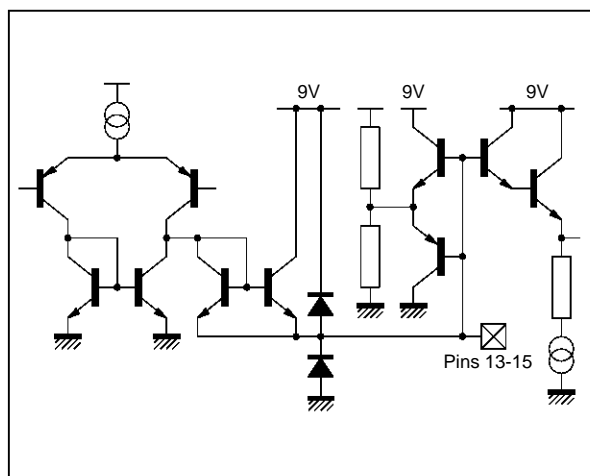
Figure 14 : Pin 12 Configuration



8219-15.EPS

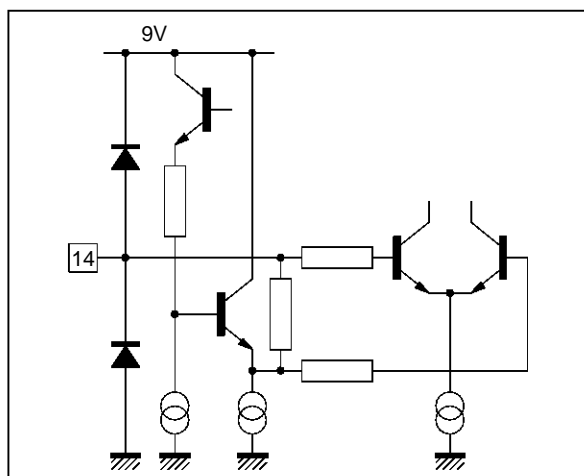
INPUT / OUTPUT PIN CONFIGURATION (continued)

Figure 15 : Pins 13 - 15 Configuration



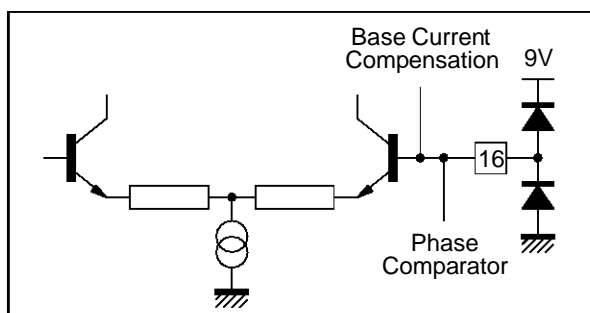
8219-16.EPS

Figure 16 : Pin 14 Configuration



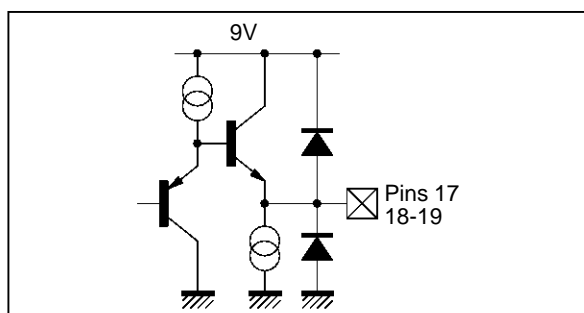
8219-17.EPS

Figure 17 : Pin 16 Configuration



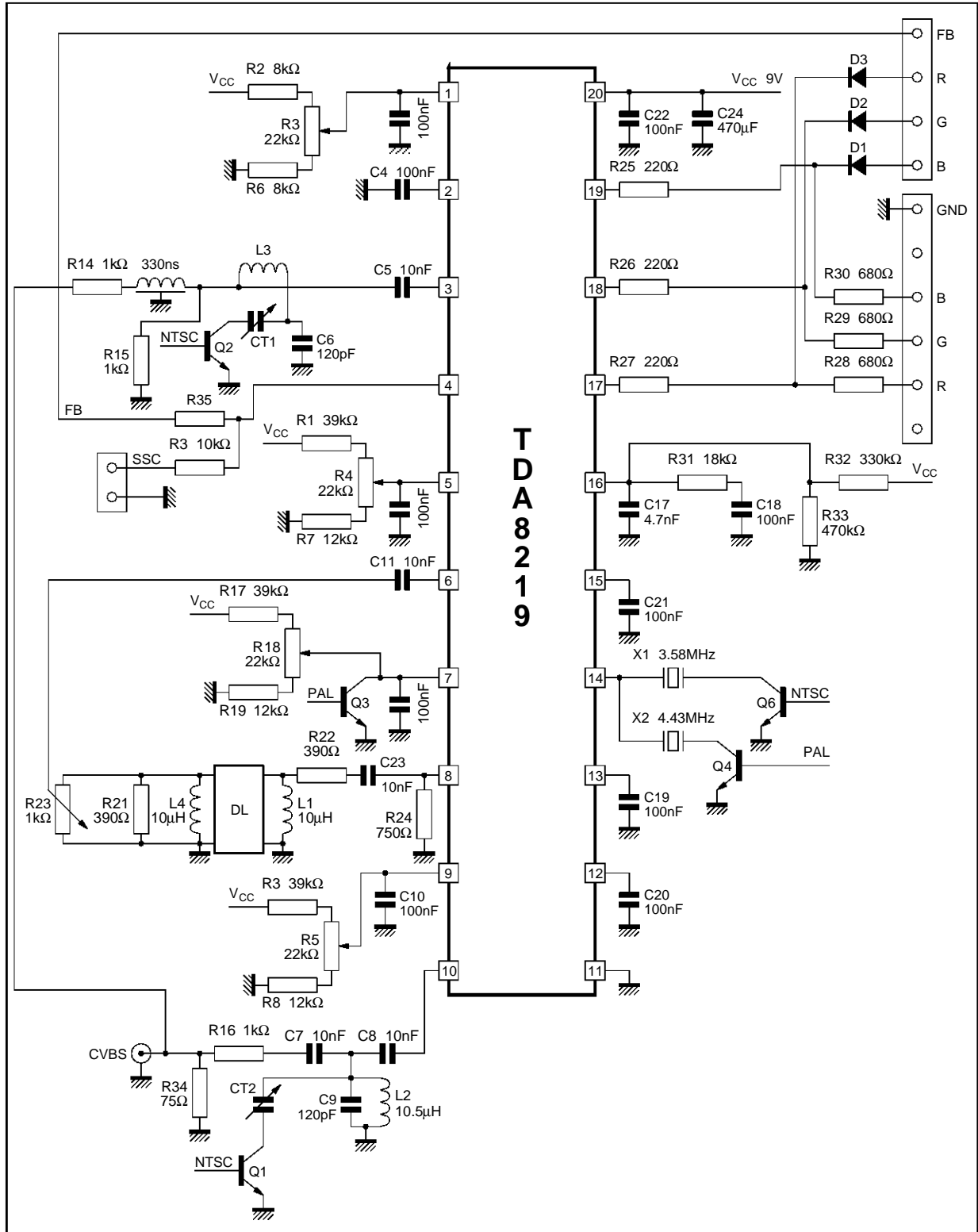
8219-18.EPS

Figure 18 : Pins 17 - 18 - 19 Configuration



8219-19.EPS

APPLICATION DIAGRAM (with OSD capability)

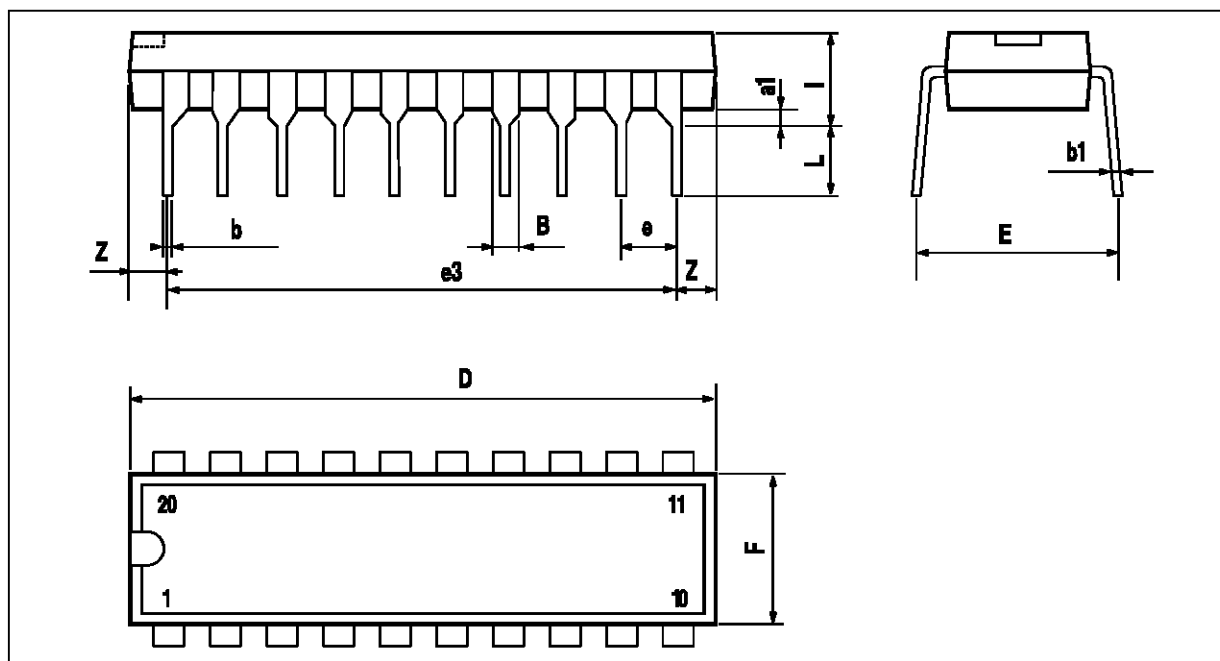


8219-20.EPS



## PACKAGE MECHANICAL DATA

20 PINS - PLASTIC DIP



PM-DIP20.EPS

Dimensions	Millimeters			Inches		
	Min.	Typ.	Max.	Min.	Typ.	Max.
a1	0.254			0.010		
B	1.39		1.65	0.055		0.065
b		0.45			0.018	
b1		0.25			0.010	
D			25.4			1.000
E		8.5			0.335	
e		2.54			0.100	
e3		22.86			0.900	
F			7.1			0.280
l			3.93			0.155
L		3.3			0.130	
Z			1.34			0.053

DIP20.TBL

Information furnished is believed to be accurate and reliable. However, SGS-THOMSON Microelectronics assumes no responsibility for the consequences of use of such information nor for any infringement of patents or other rights of third parties which may result from its use. No licence is granted by implication or otherwise under any patent or patent rights of SGS-THOMSON Microelectronics. Specifications mentioned in this publication are subject to change without notice. This publication supersedes and replaces all information previously supplied. SGS-THOMSON Microelectronics products are not authorized for use as critical components in life support devices or systems without express written approval of SGS-THOMSON Microelectronics.

© 1996 SGS-THOMSON Microelectronics - All Rights Reserved

Purchase of I<sup>2</sup>C Components of SGS-THOMSON Microelectronics, conveys a license under the Philips I<sup>2</sup>C Patent. Rights to use these components in a I<sup>2</sup>C system, is granted provided that the system conforms to the I<sup>2</sup>C Standard Specifications as defined by Philips.

SGS-THOMSON Microelectronics GROUP OF COMPANIES

Australia - Brazil - Canada - China - France - Germany - Hong Kong - Italy - Japan - Korea - Malaysia - Malta - Morocco  
The Netherlands - Singapore - Spain - Sweden - Switzerland - Taiwan - Thailand - United Kingdom - U.S.A.