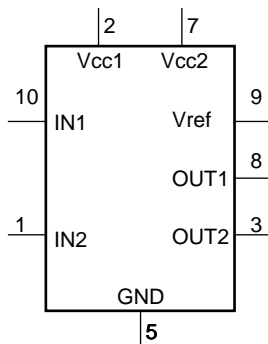
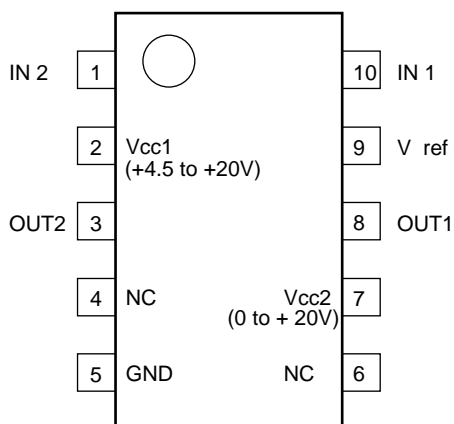

FULL BRIDGE DRIVER FOR DC MOTOR

-TOP VIEW-



Vref: 0 to 20V (Vref = Vcc2)

