

# AN5195K

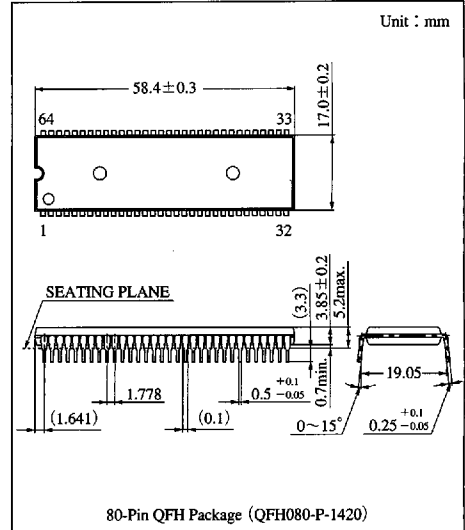
## Single chip PAL/NTSC signal processor IC with I<sup>2</sup>C bus controller

### Overview

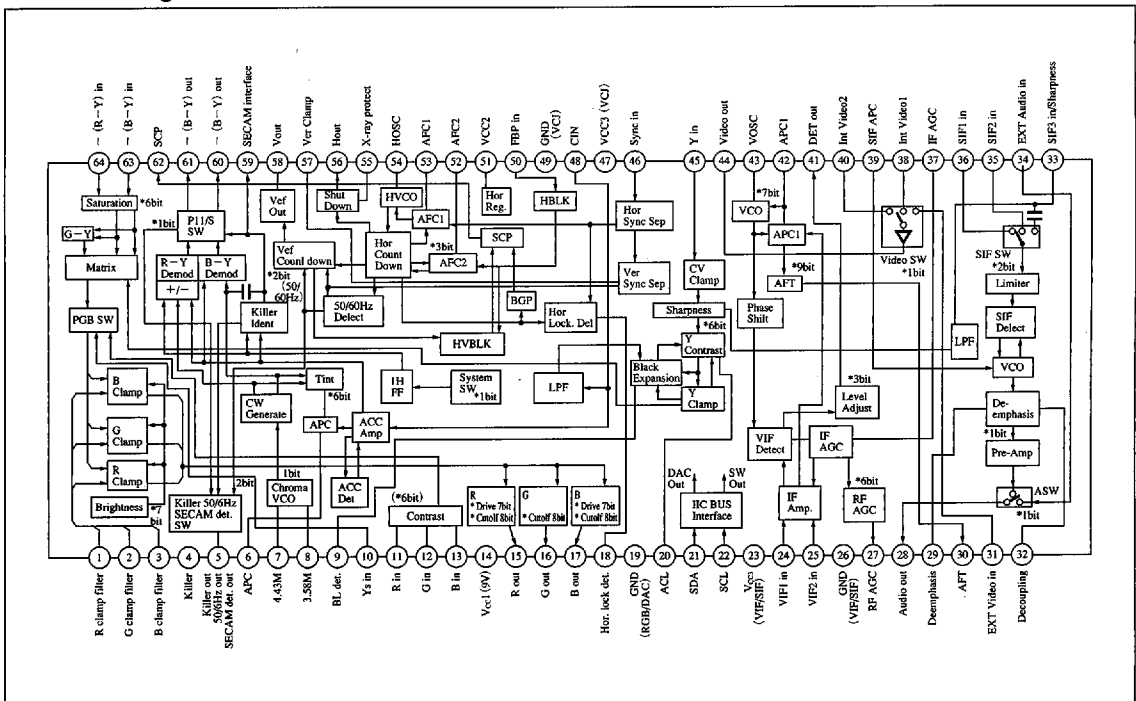
The AN5195K is a PAL/NTSC signal processor incorporating an I<sup>2</sup>C bus controller. It processes VIF, SIF, video, chroma, RGB, and synchronization-deflection signals.

### Features

- I<sup>2</sup>C bus control and adjustment-free architecture eliminate the manual adjustment by a TV-set manufacturer.
- Together with the AN5637 SECAM signal processor IC, it can support multi-system TVs.
- VIF and SIF parts : AFT and SIF detection circuits need no coil. 3 video-inputs and 3 SIF-inputs with built-in selector switches.
- Video part : Black level extension
- Synchronization deflection : Vertical frequency automatic identification circuit
- Compatible with a 21-pin connector (SCART)



### Block Diagram



6932852 0014198 877