

# AN5192K

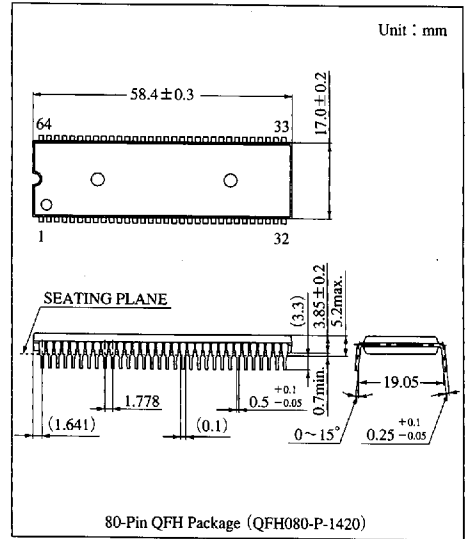
## Single chip PAL/NTSC signal processor IC with I<sup>2</sup>C bus-controller

### Overview

The AN5192K is a PAL/NTSC signal processor incorporating an I<sup>2</sup>C bus controller. It processes VIF, SIF, video, chroma, RGB, and synchronization-deflection signals.

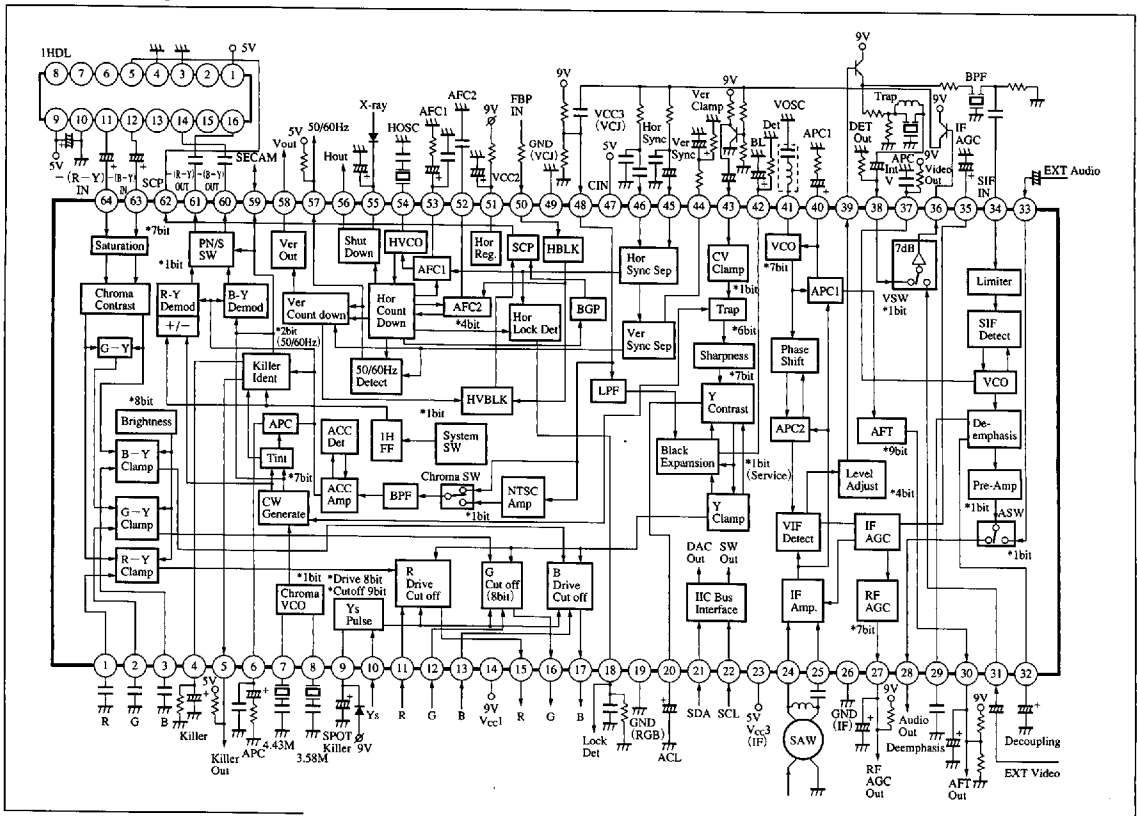
### Features

- I<sup>2</sup>C bus control and adjustment-free architecture eliminate the manual adjustment by a TV-set manufacturer.
- Together with the AN5637 of SECAM signal processor IC, it can support multi-system TVs.
- VIF and SIF parts : AFT and SIF detection circuits need no coil.
- Video part : Automatic chroma trapping and black-level extension circuits built-in.
- Chroma part : Chroma BPF built-in.
- Synchronization-deflection : Vertical frequency automatic identification circuit



ICs for TV

### Block Diagram



6932852 0014197 930