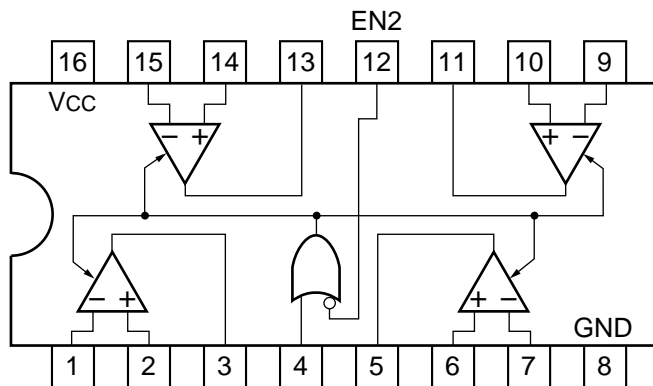


## HIGH SPEED DIFFERENTIAL LINE RECEIVER

—TOP VIEW—



FUNCTION TABLE

EN2	EN1	OUTPUT
0	0	ENABLE
0	1	ENABLE
1	0	HI-Z
1	1	ENABLE

0 : LOW LEVEL

1 : HIGH LEVEL

HI-Z : HIGH IMPEDANCE

	SENSE	INPUT VOLT
C32/LS32	±200mV	±7 V
LS33	±500mV	±15 V