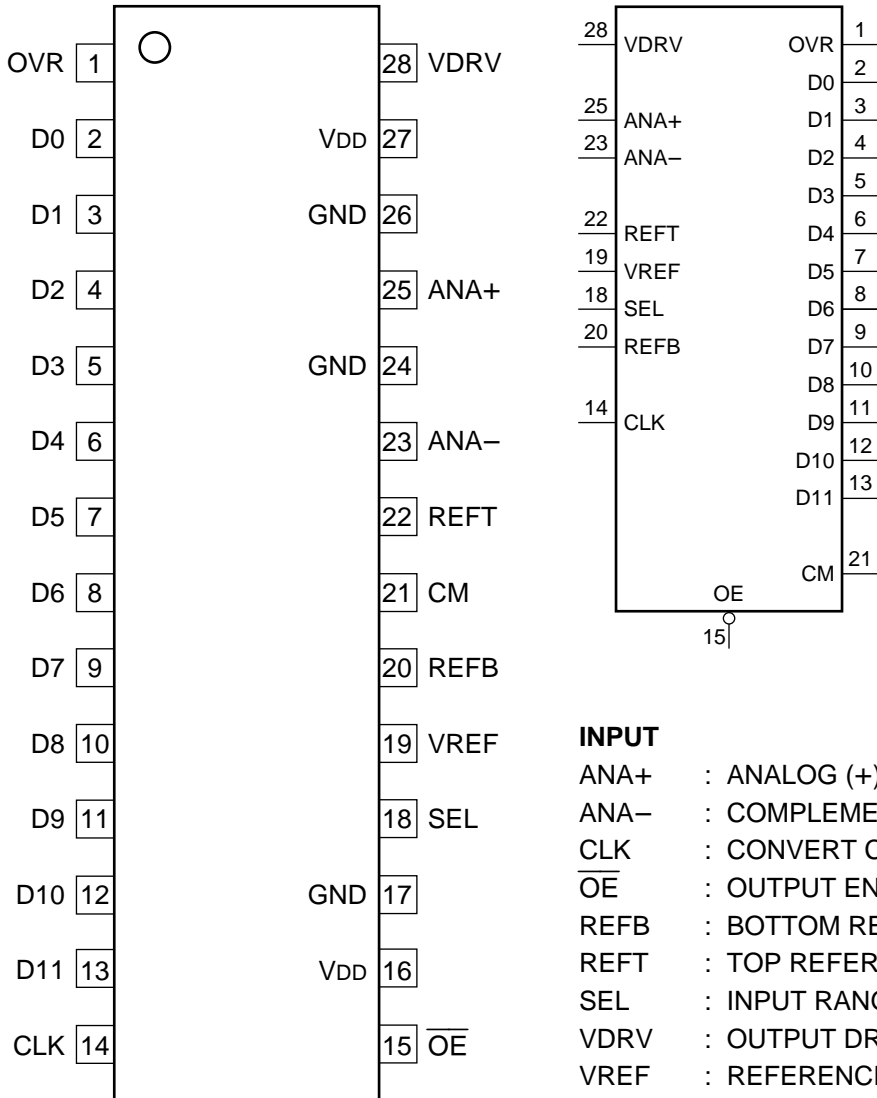


**C-MOS 12-BIT A/D CONVERTER**  
—TOP VIEW—



**INPUT**

- ANA+ : ANALOG (+)
- ANA- : COMPLEMENTARY ANALOG
- CLK : CONVERT CLOCK
- OE : OUTPUT ENABLE
- REFB : BOTTOM REFERENCE VOLTAGE
- REFT : TOP REFERENCE VOLTAGE
- SEL : INPUT RANGE SELECT
- VDRV : OUTPUT DRIVER VOLTAGE
- VREF : REFERENCE VOLTAGE SELECT

**OUTPUT**

- CM : COMMON MODE VOLTAGE
- D0 - D11 : DATA BIT
- OVR : OVER RANGE INDICATOR

